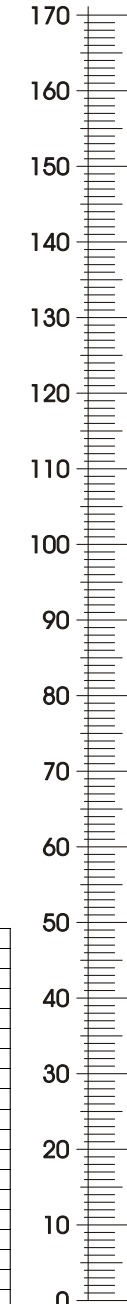
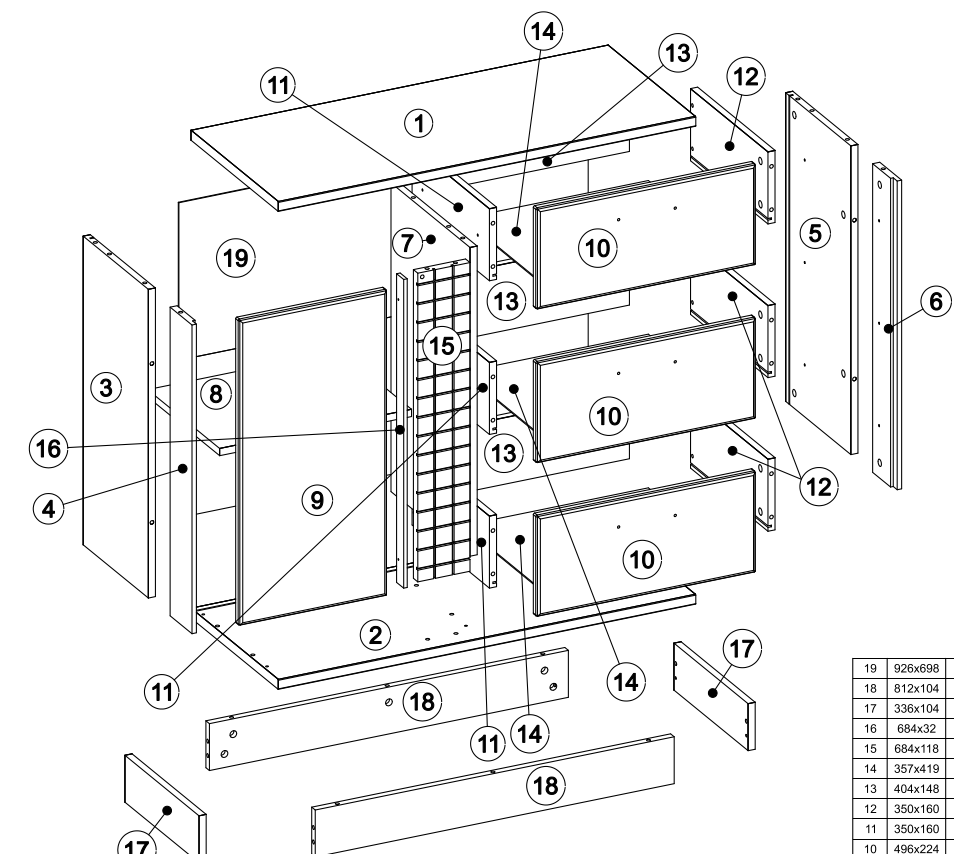
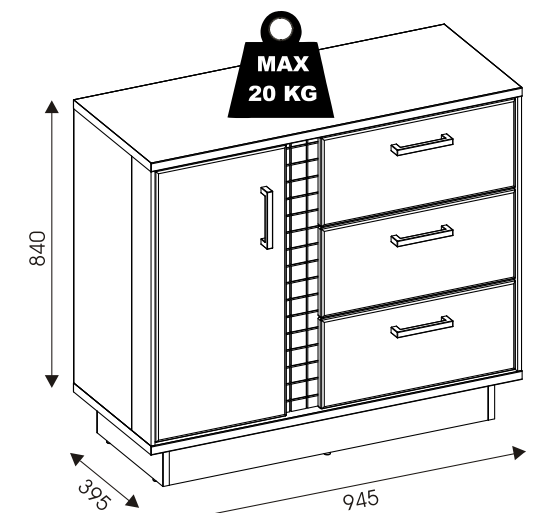
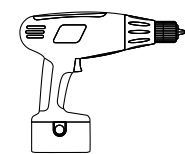
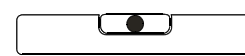
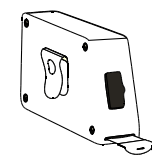
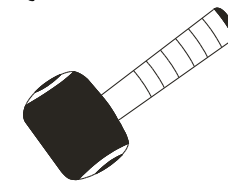
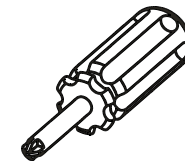
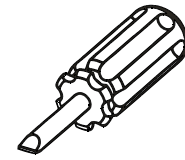
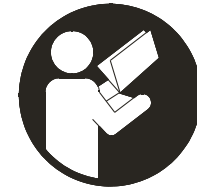
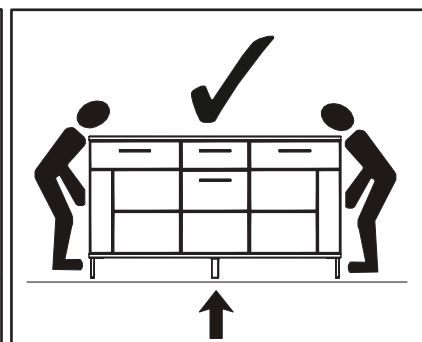
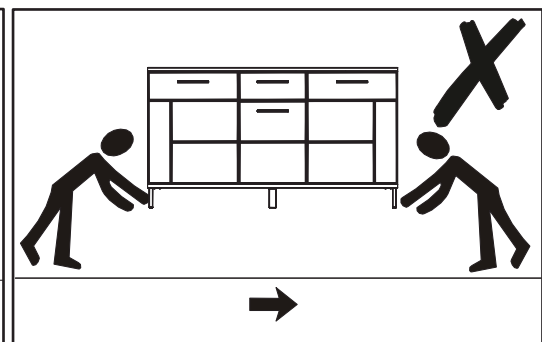
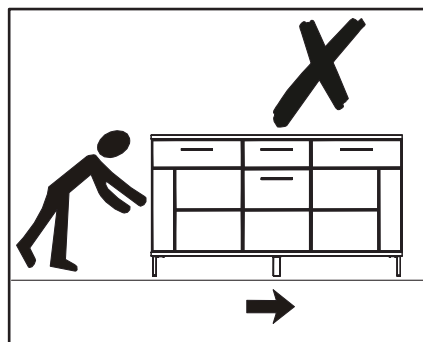
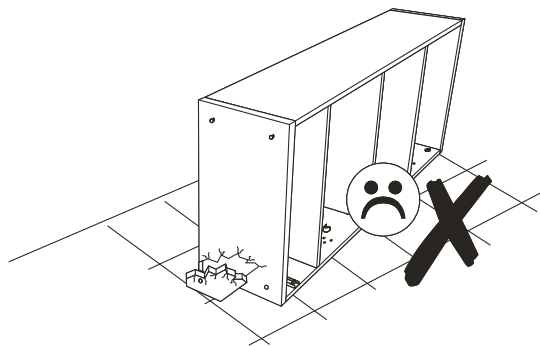
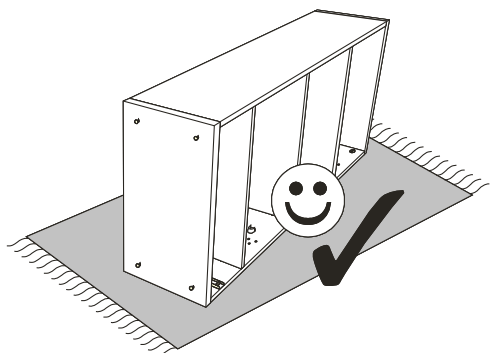
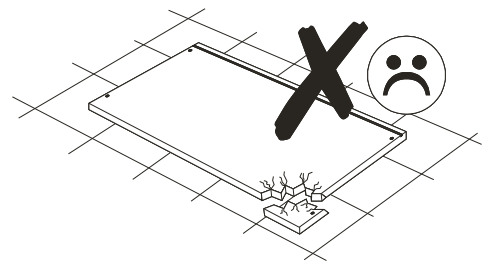
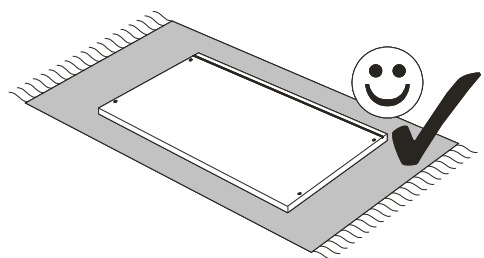
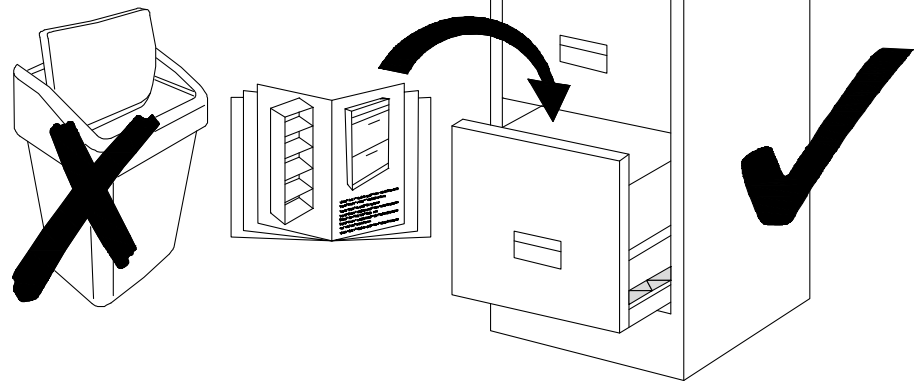


MODELL: DN2

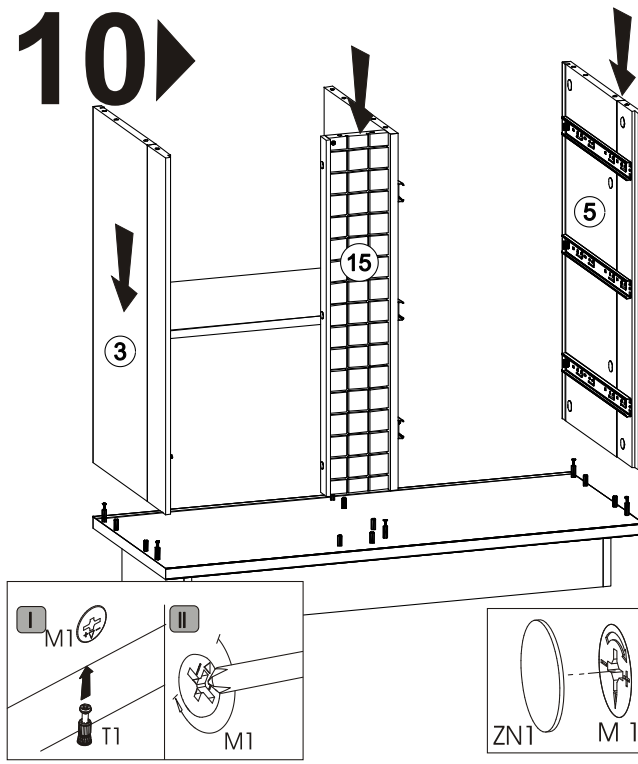


19	926x698	1/3
18	812x104	1/3
17	336x104	1/3
16	684x32	3/3
15	684x118	3/3
14	357x419	1/3
13	404x148	2/3
12	350x160	1/3
11	350x160	1/3
10	496x224	3/3
9	678x335	3/3
8	434x326	2/3
7	684x358	2/3
6	684x99	3/3
5	684x295	2/3
4	684x99	3/3
3	684x295	2/3
2	944x396	1/3
1	944x396	1/3

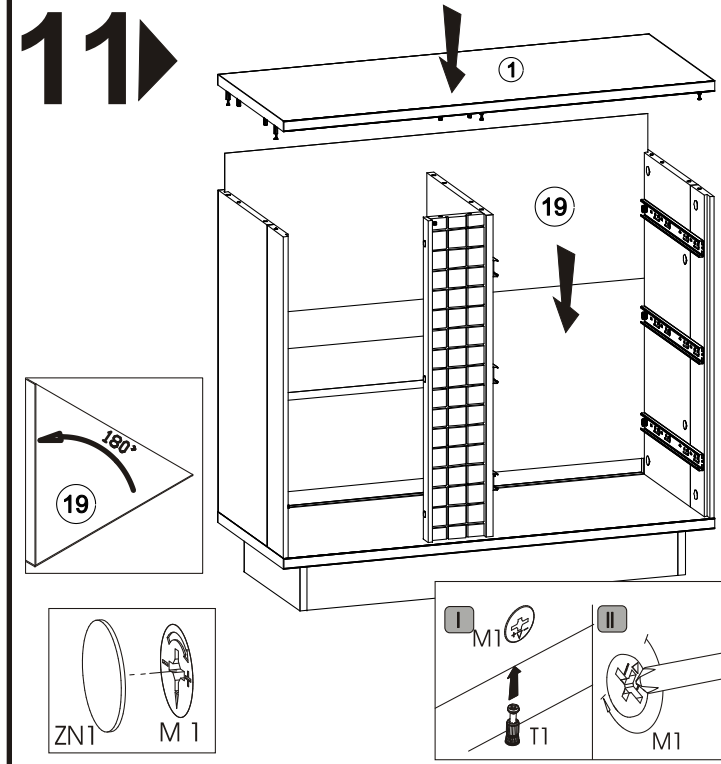
28x #20/112 ZN1	18x #14/112 ZN3	3x 4x30 W11	2x ZC8						
4x #20/325 ZN2	4x 3.5x16 W3	10x ST1	3kpl. #350 PK3	3x 3x25 W10	10x 3x20 W9	2x H=2 PR2	4x U1	6x N1	
12x 6.4x50 K5	24x 8x30 K1	19x 2x20 G1	1x K20	42x #15/15 M1	42x DU232T T1	8x 4x30 WM1	1x LED 10x10x682	24x 5x11 E1	



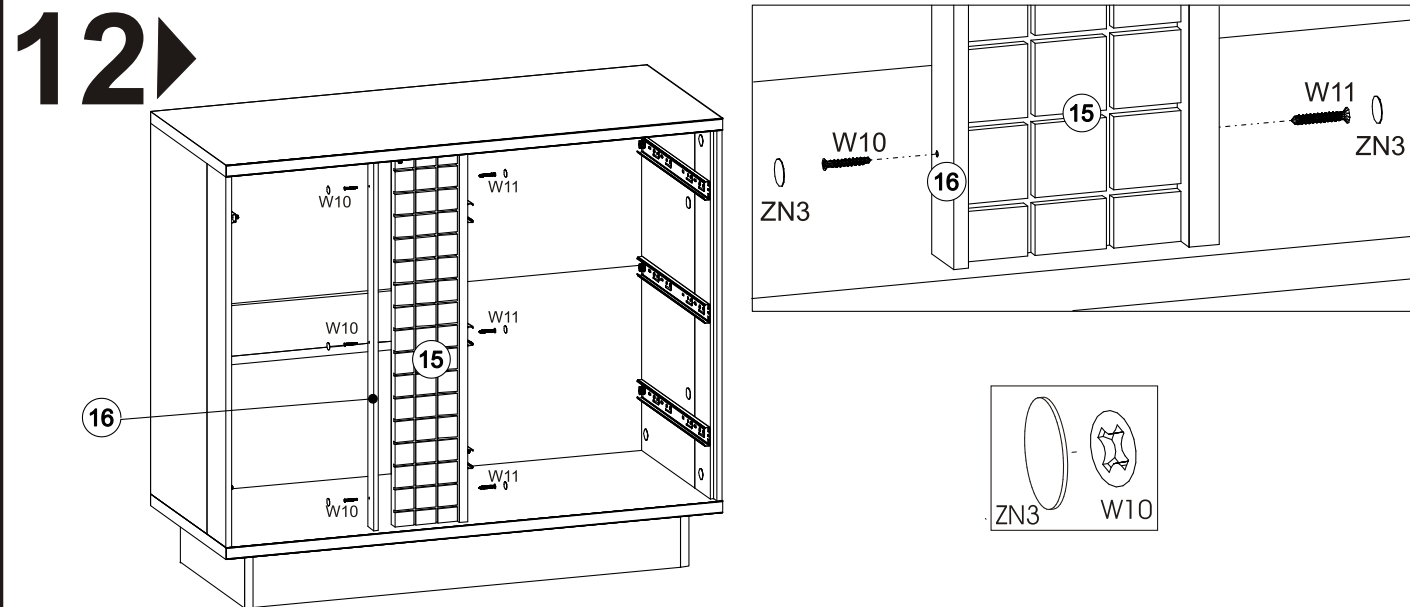
10▶



11▶



12▶



13▶

