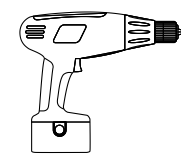
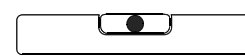
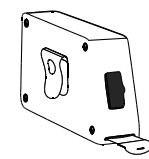
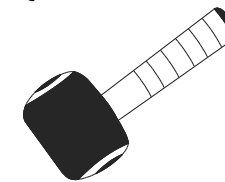
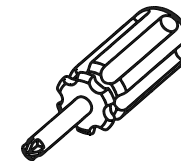
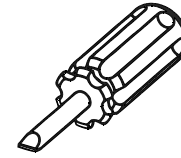
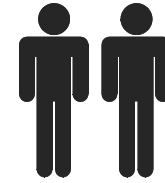
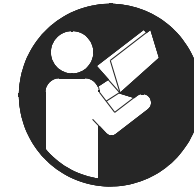
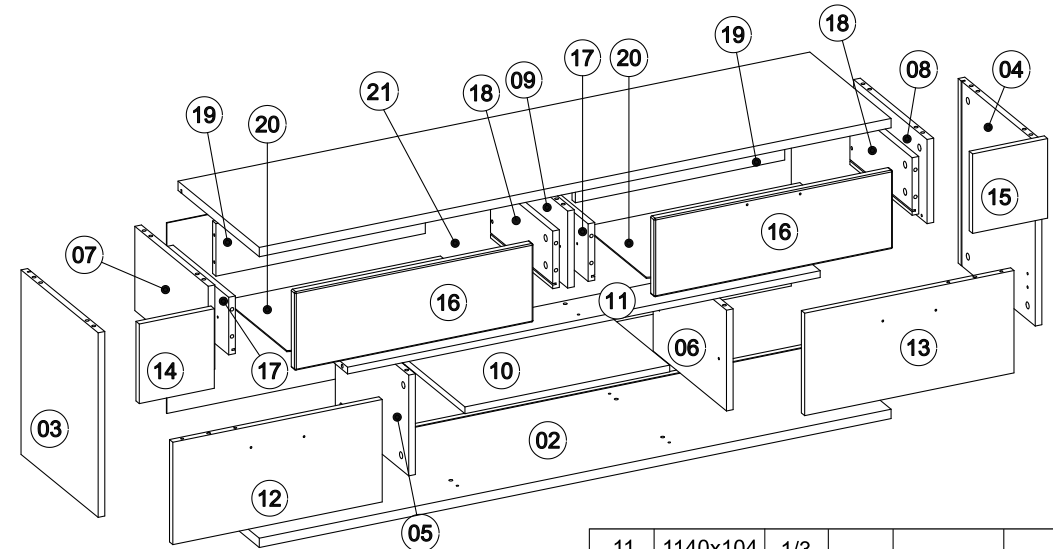
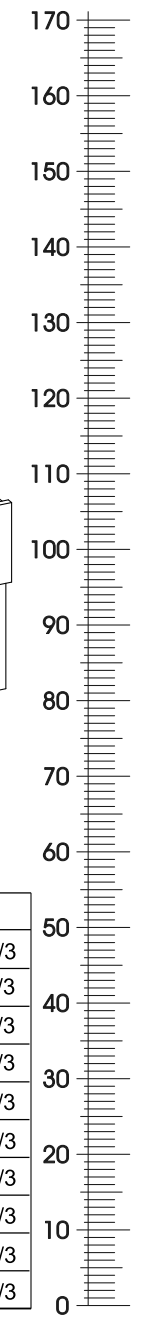
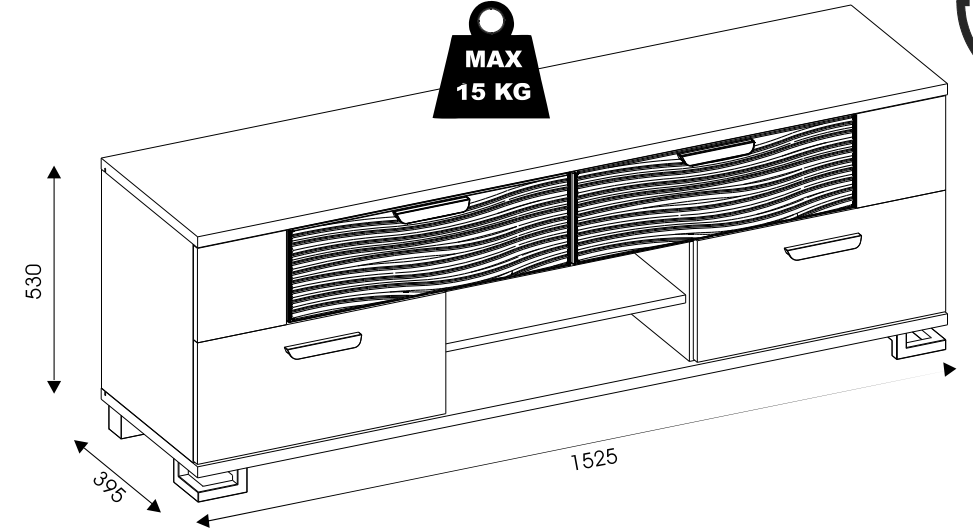


# MODELL: GT01

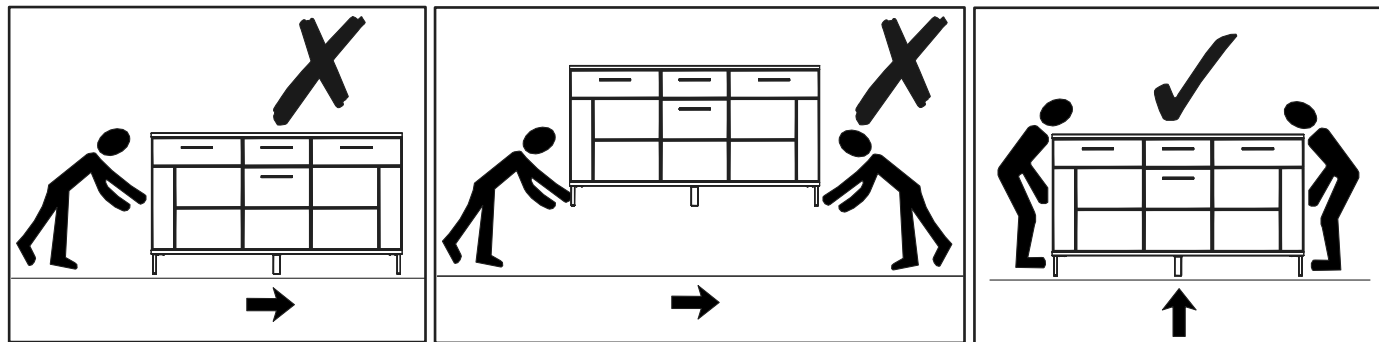
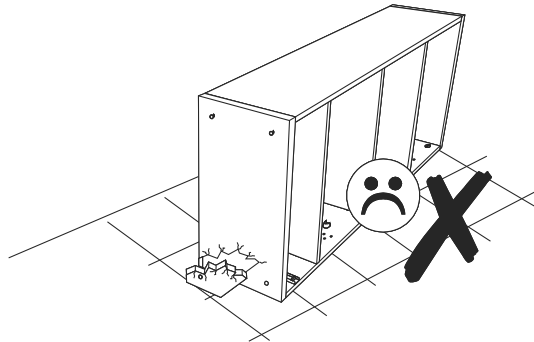
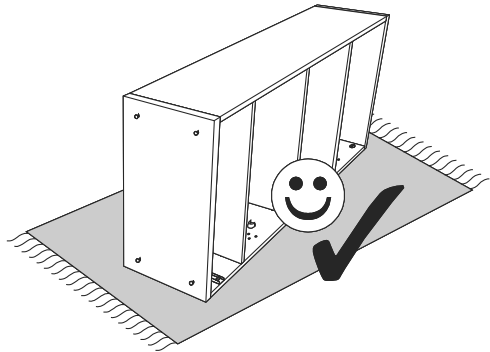
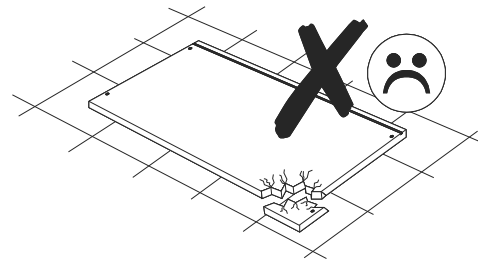
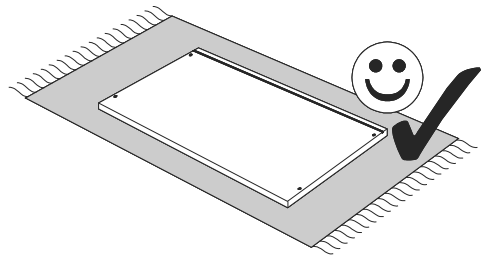
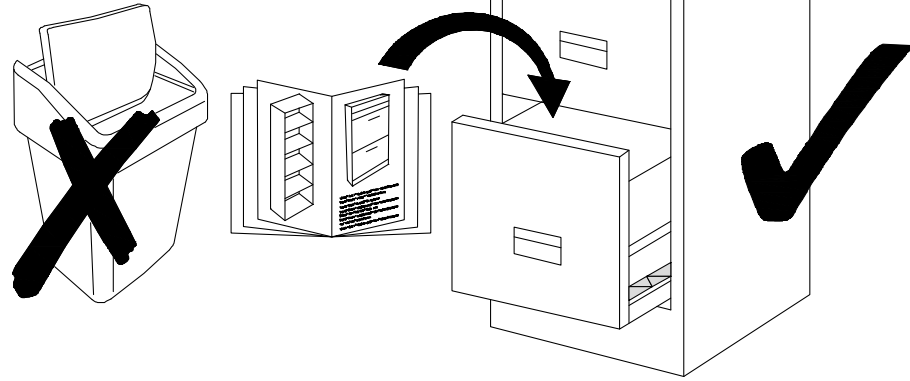


MAX  
15 KG

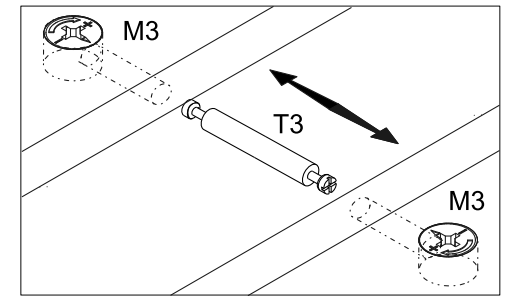
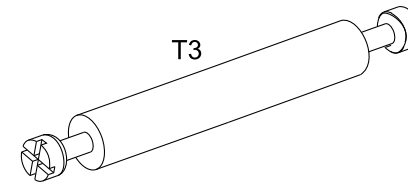
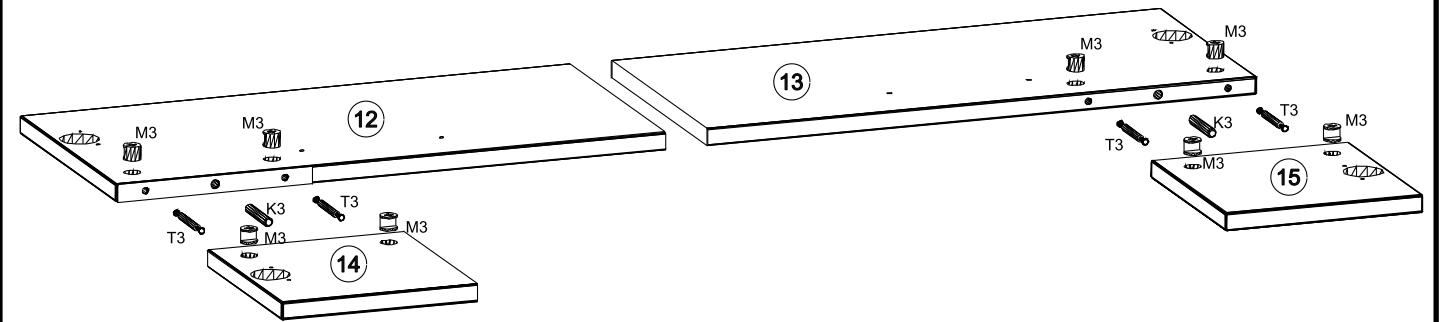


11	1140x104	1/3			
10	494x340	2/3	21	1506x450	3/3
09	182x354	2/3	20	307x520	1/3
08	199x354	2/3	19	505x124	1/3
07	199x354	2/3	18	300x136	1/3
06	238x354	2/3	17	300x136	1/3
05	238x354	2/3	16	575x185	3/3
04	436x372	2/3	15	188x181	3/3
03	436x372	2/3	14	188x181	3/3
02	1524x392	1/3	13	242x505	3/3
01	1524x392	1/3	12	242x505	3/3

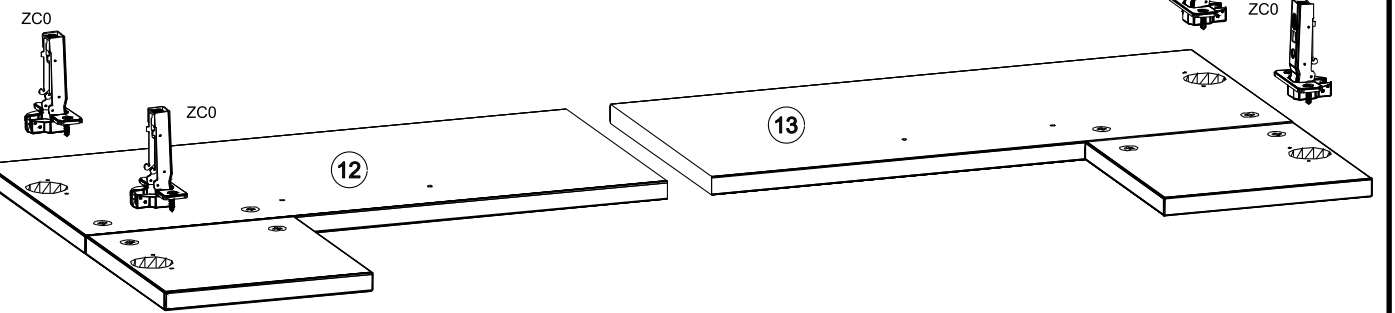
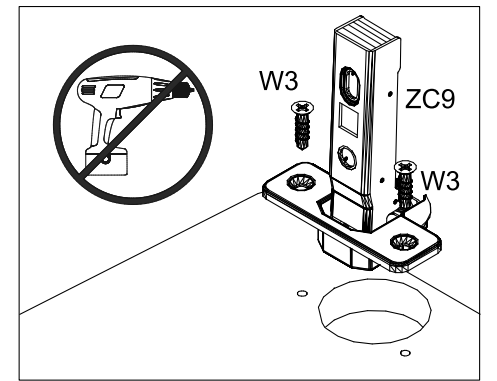
4x	ZP3590	ZC0	4x	UK394128S	U1	8x	4x27	WP4	4x	B1	8x	MK15/15	M3	2x	SM5050S	N2	8x	MK15/15	M3	1x	N3					
28x	ZS020823F	ZN1	12x	3.5x16	W3	12x	WS000001X	ST1	2 kpl.	#300	PK3	8x	ZS014823F	ZN2	12x	3x20	W9	4x	PH200001R	PRO	10x	4x25	W4	2x	SK055100S	N1
8x	6.4x50	K5	23x	8x30	K1	4x	ZD000656R	T3	1x	K20	31x	MB15/15	M1	31x	DU232T	T1	2x	8x55	K3	15x	2x20	G1	16x	5x11	E1	



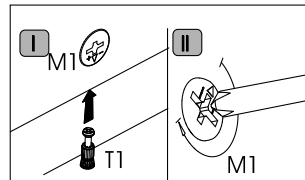
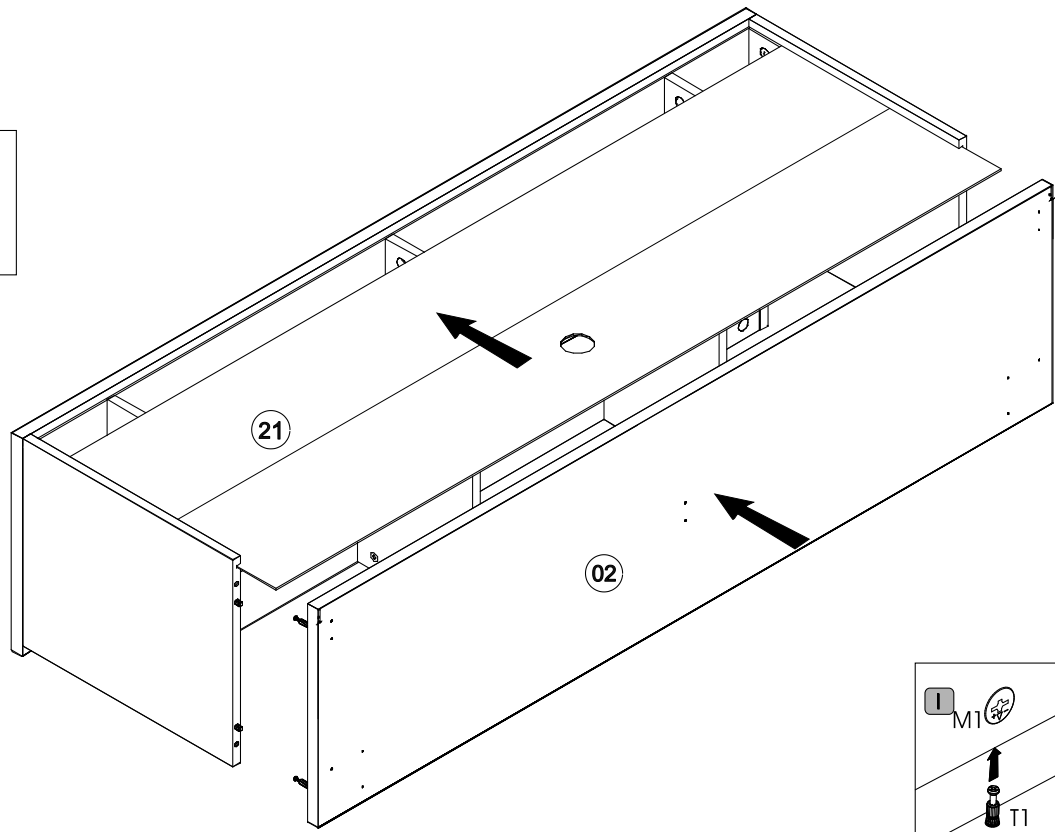
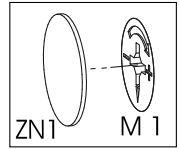
# 11



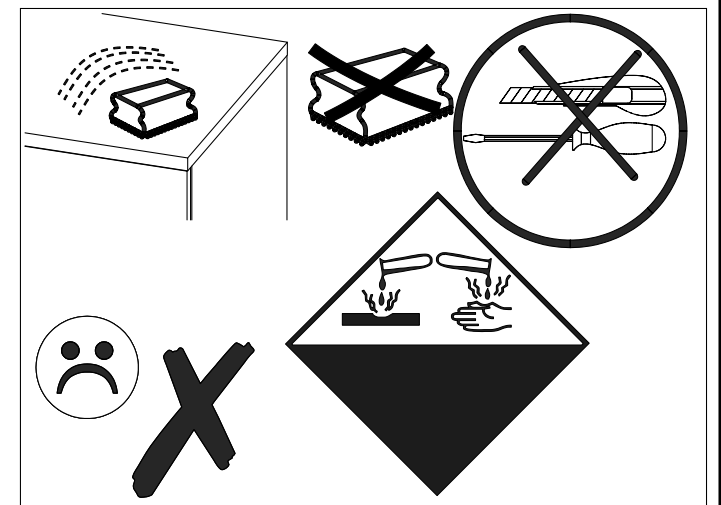
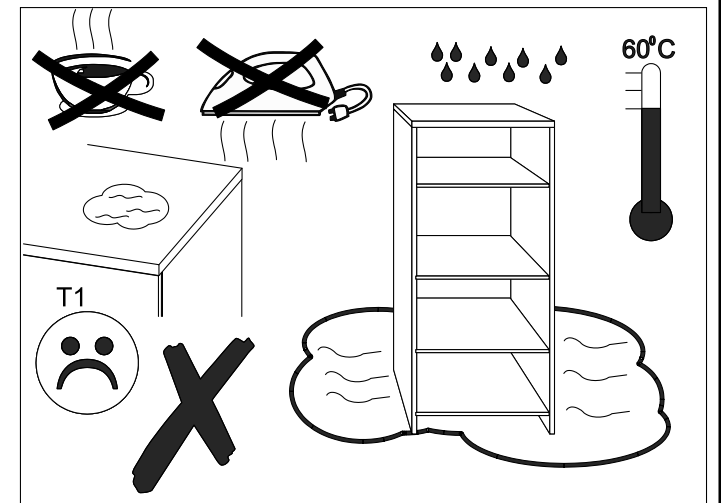
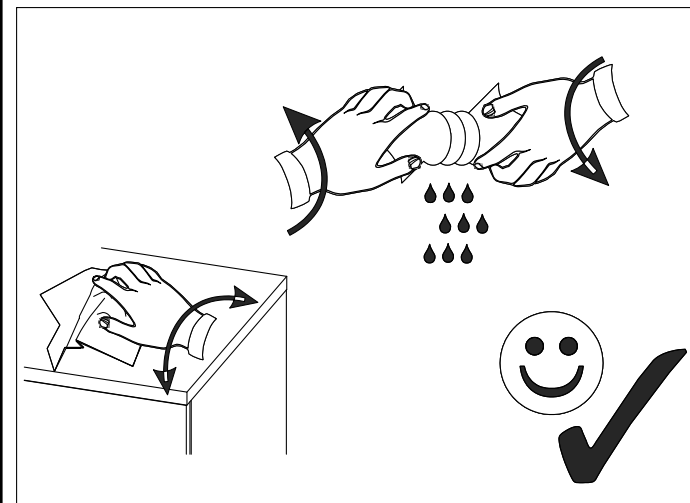
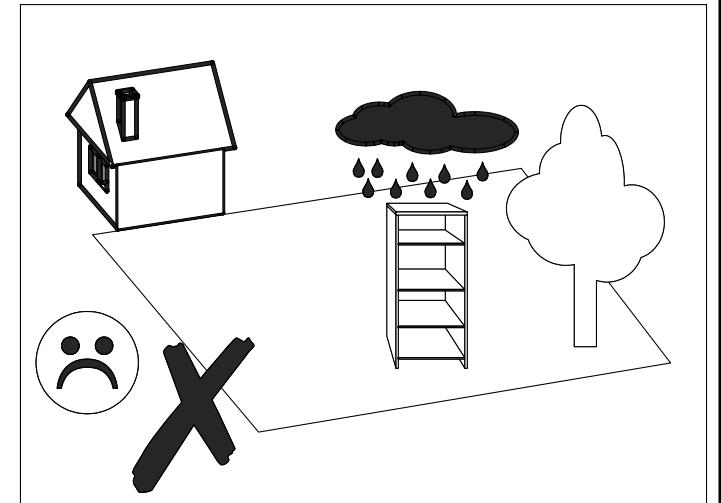
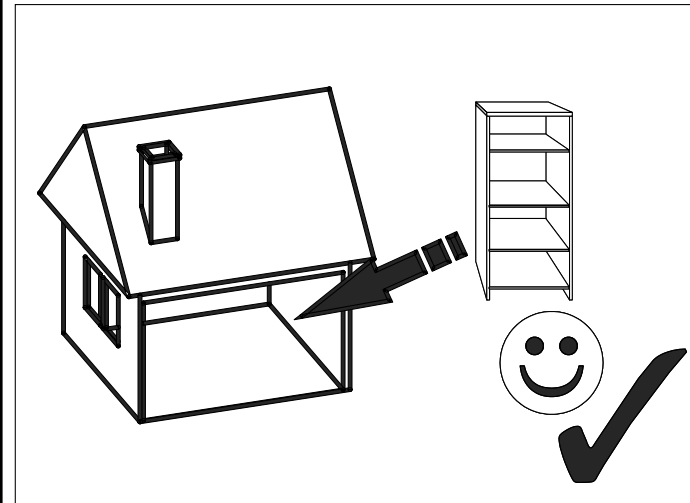
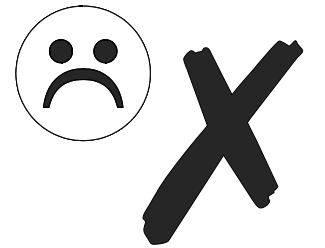
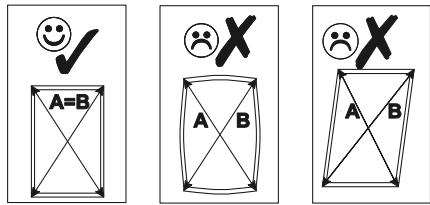
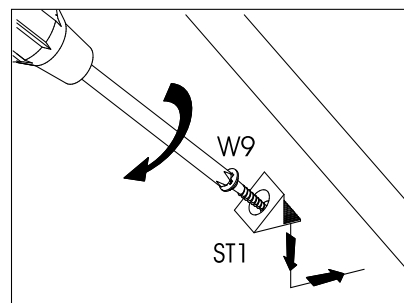
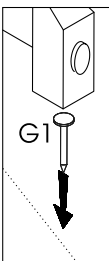
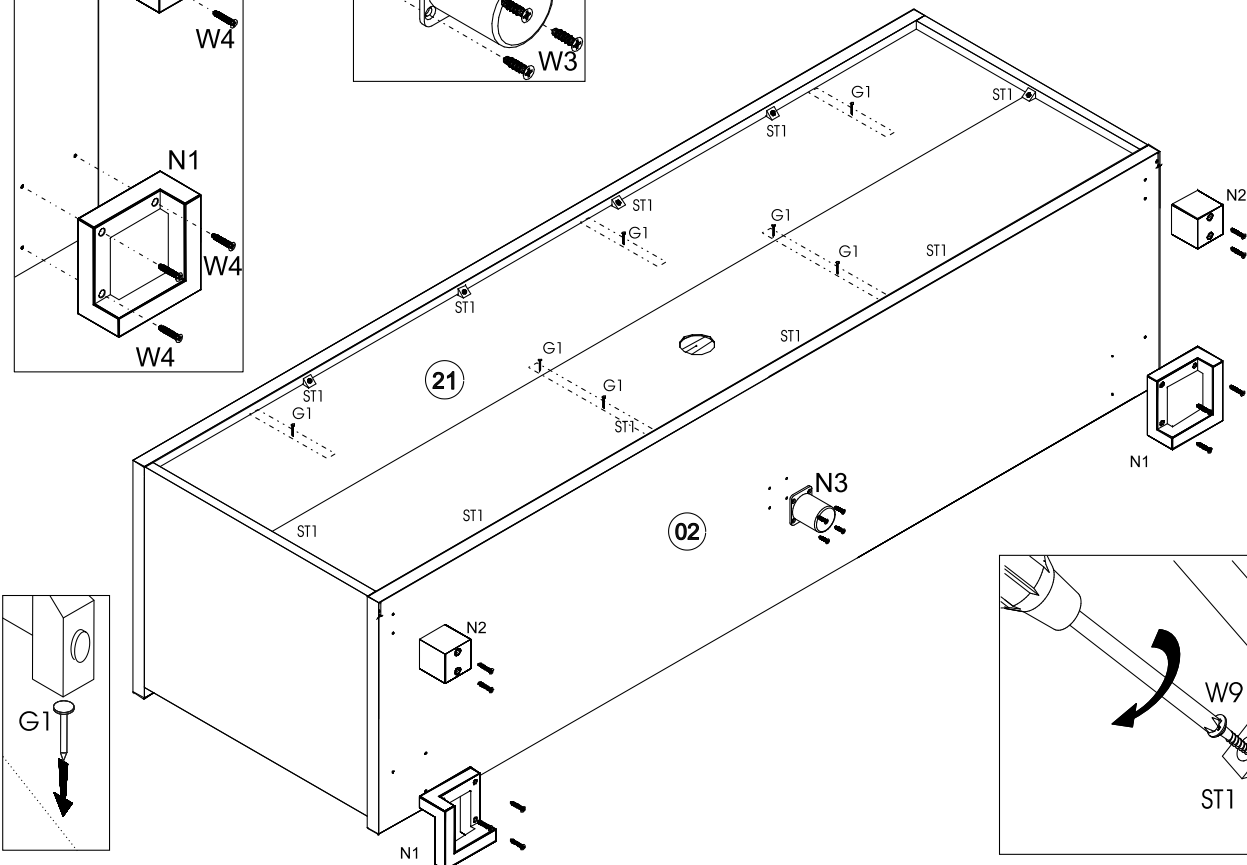
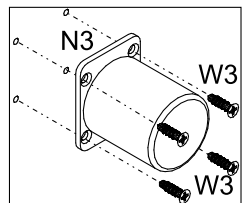
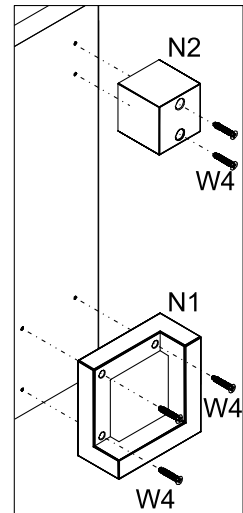
# 12

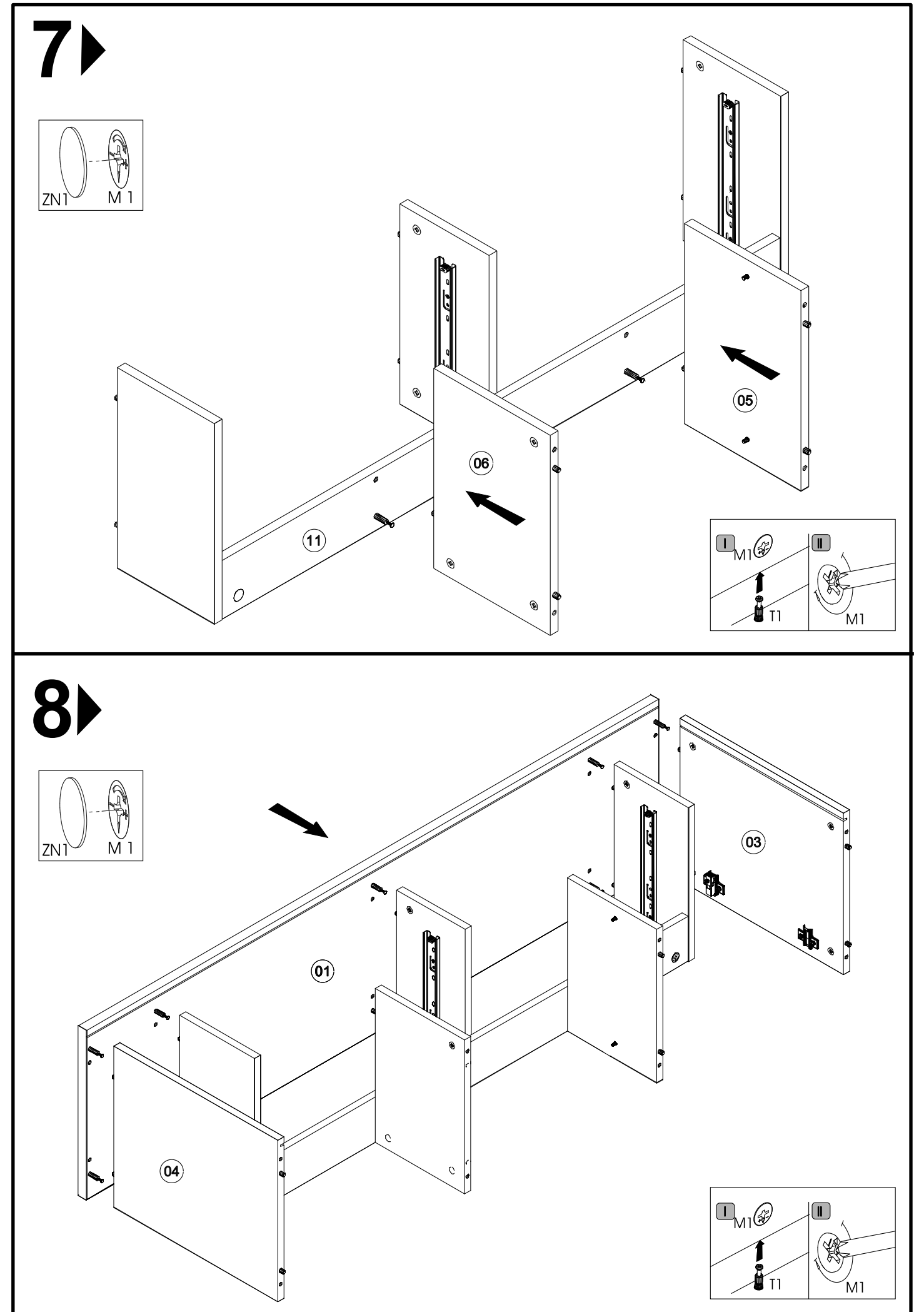
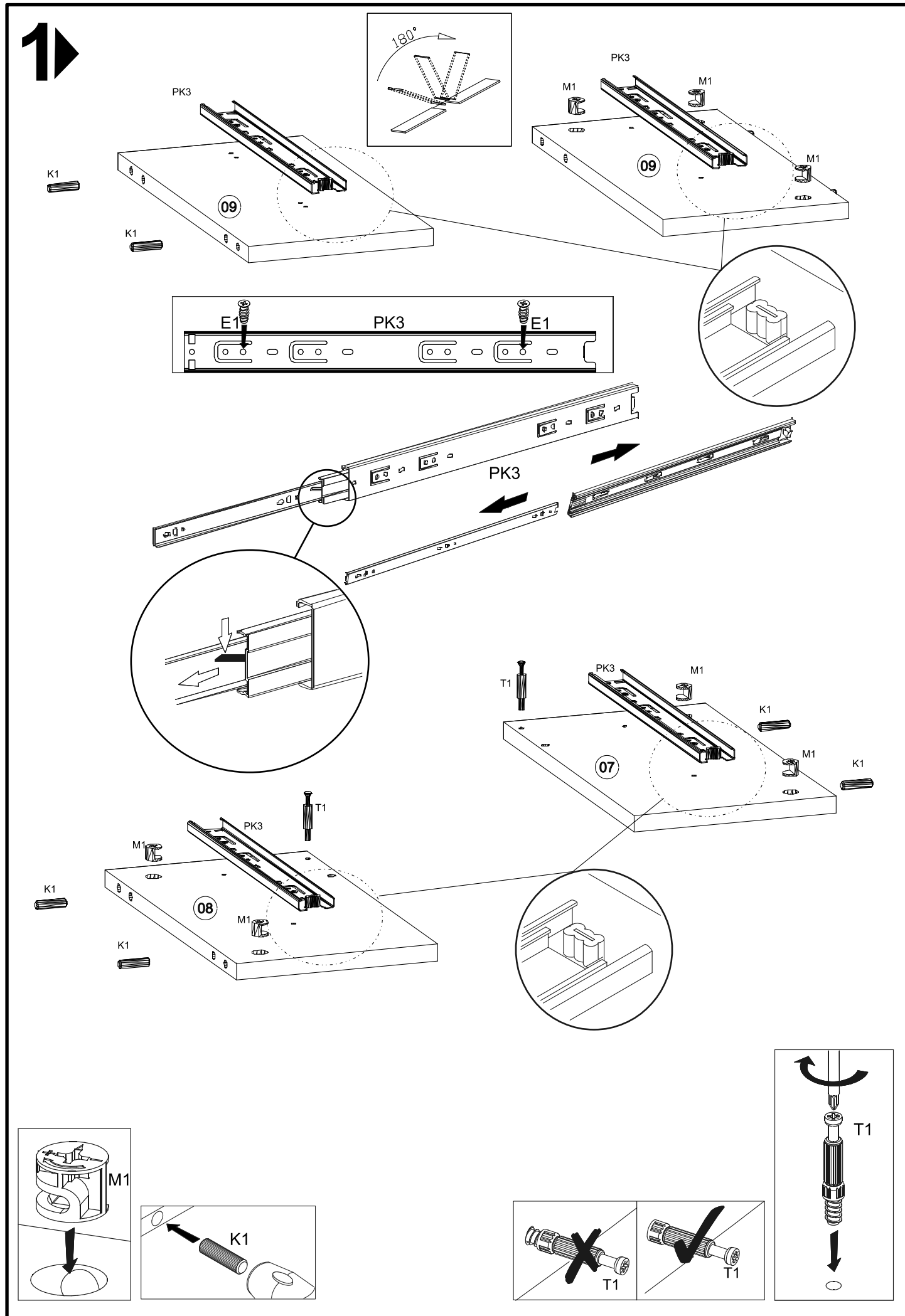


9▶

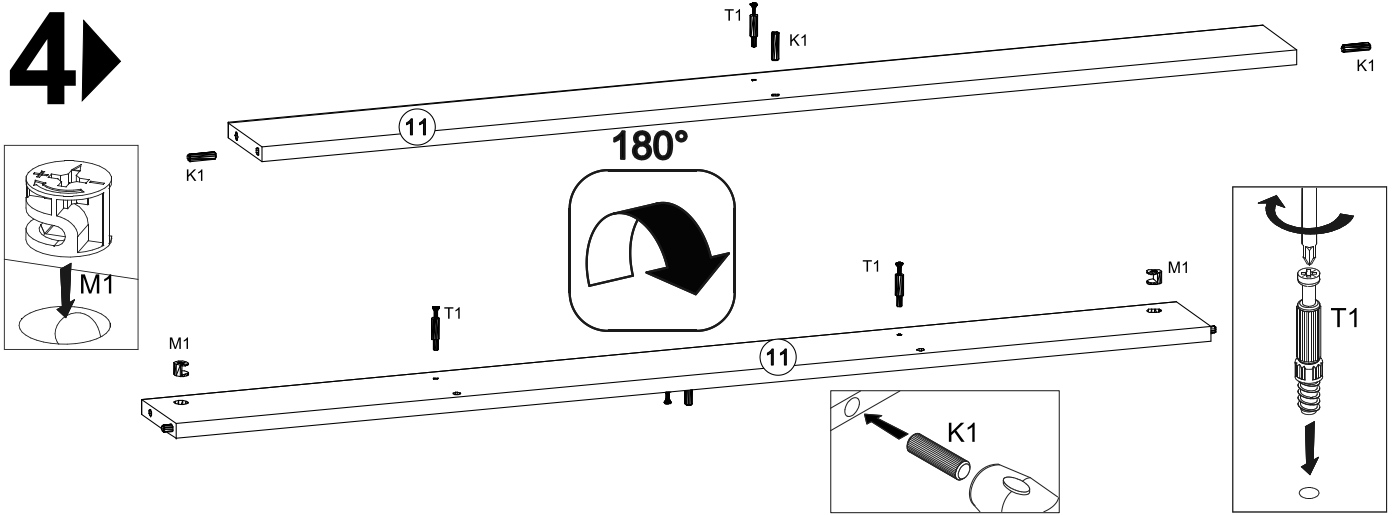


10▶

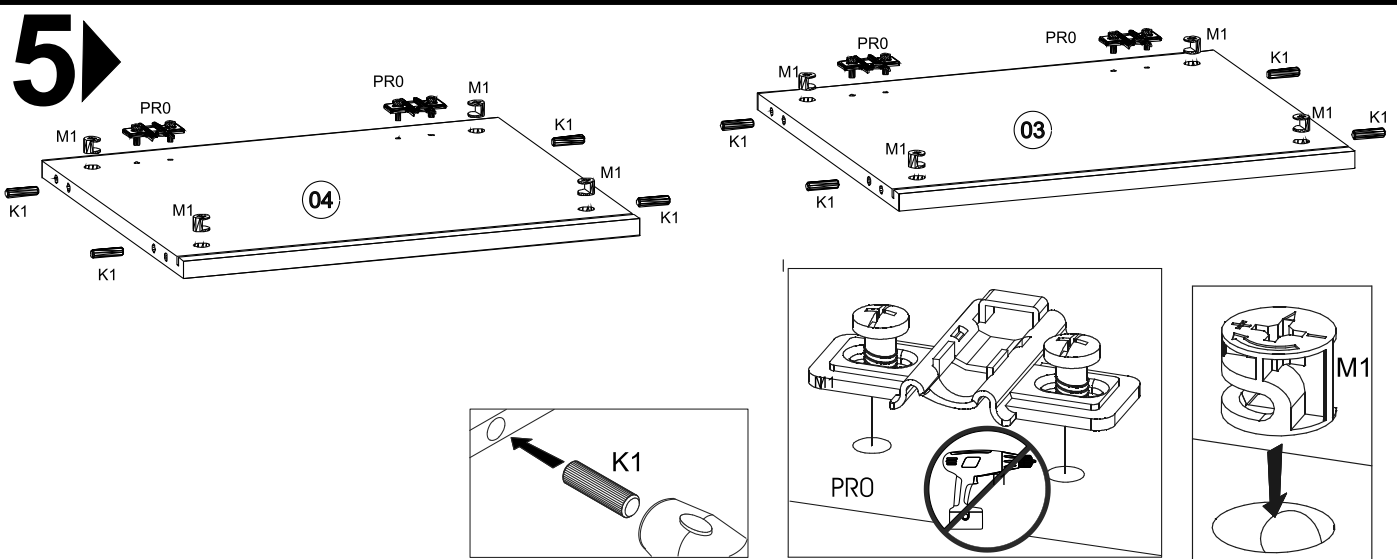




4



5



6

