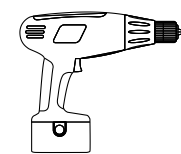
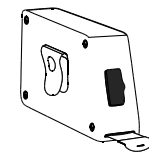
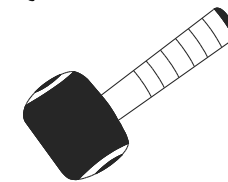
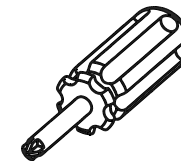
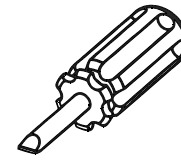
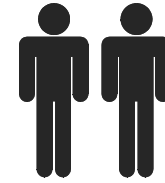
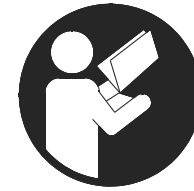
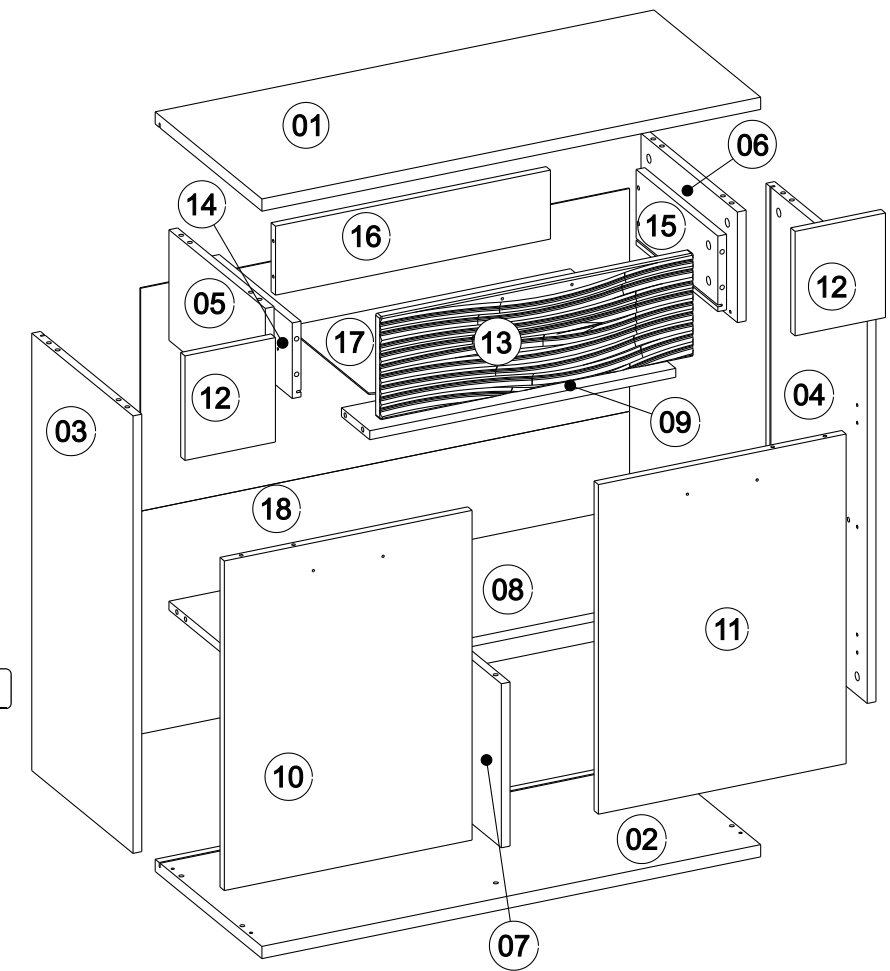
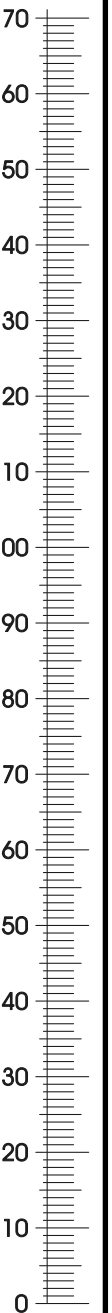
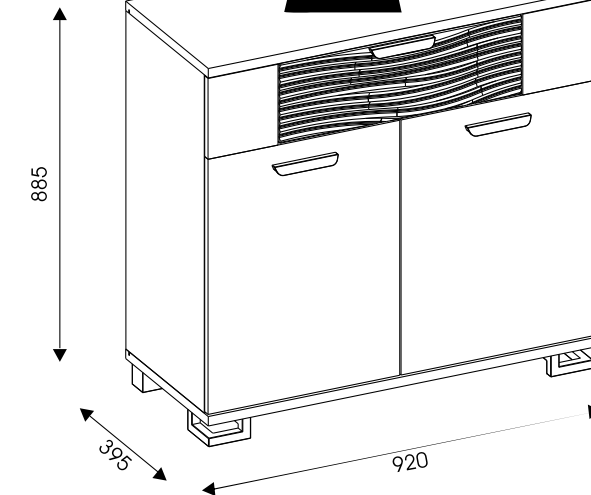


MODELL: GT02

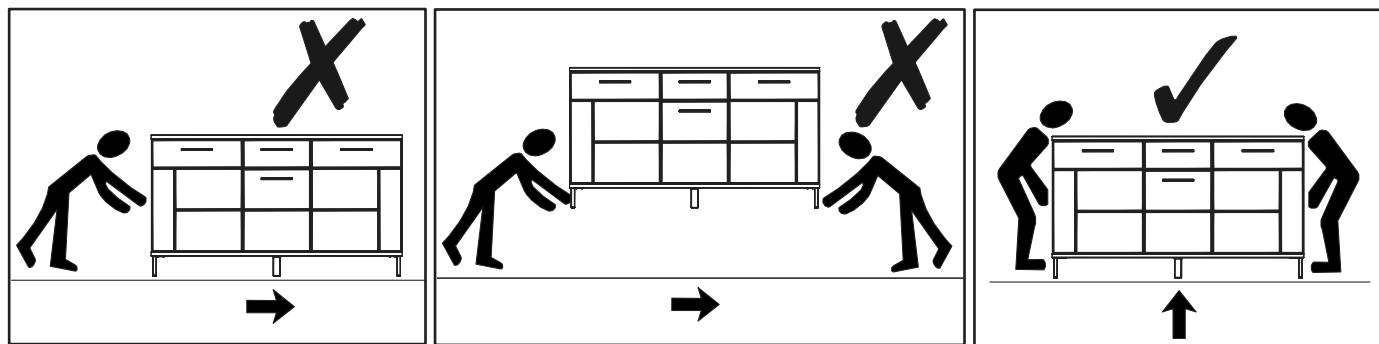
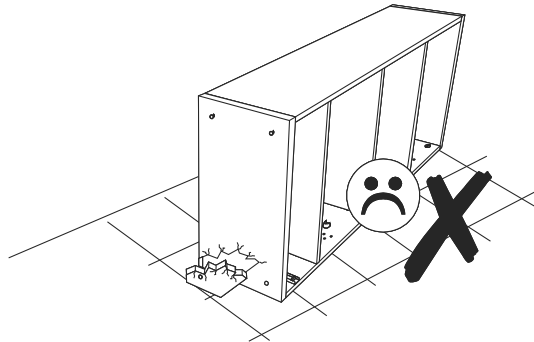
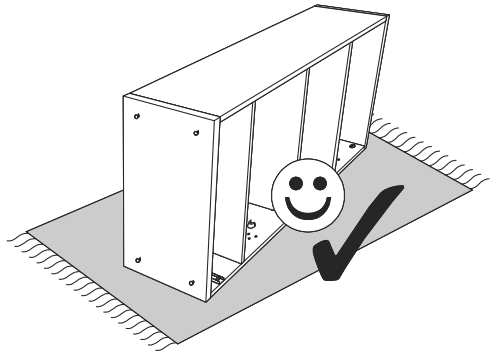
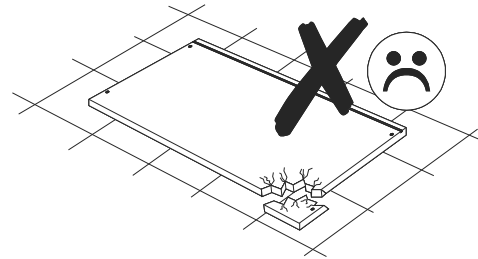
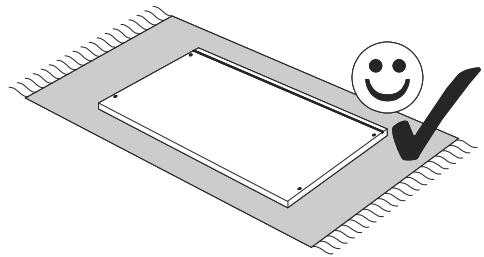


MAX
15 KG

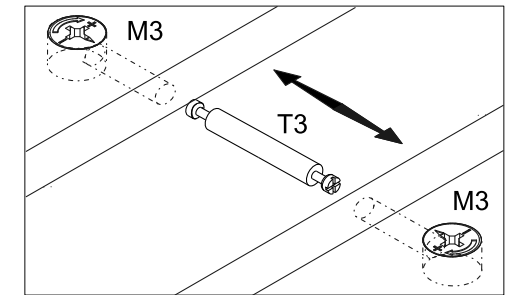
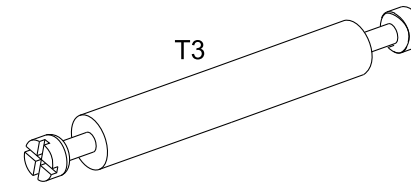
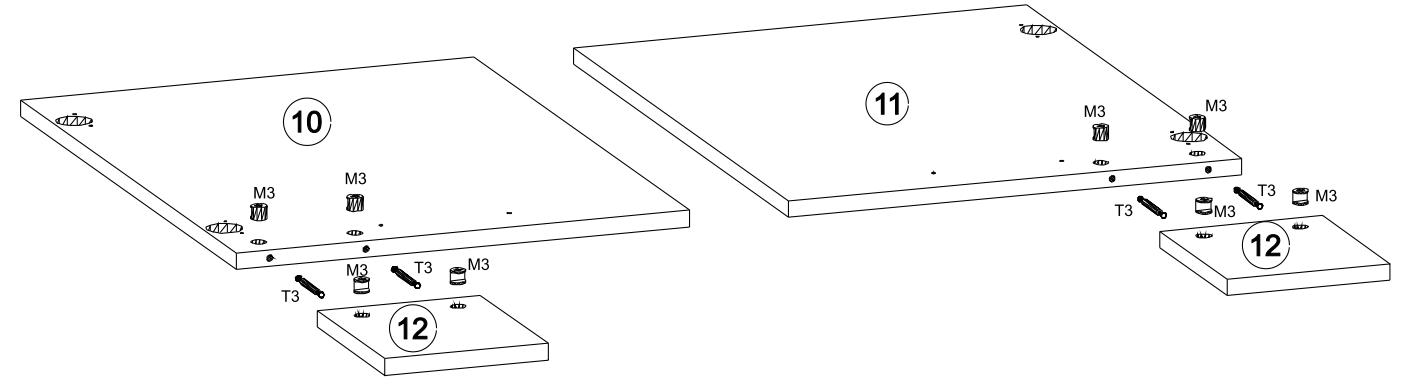


18	896x802	1/3
17	307x520	1/3
16	505x124	2/3
15	300x136	2/3
14	300x136	2/3
13	575x185	3/3
12	188x166	3/3
11	593x455	3/3
10	593x455	3/3
09	562x104	2/3
08	883x354	1/3
07	295x354	2/3
06	199x354	2/3
05	199x354	2/3
04	787x372	2/3
03	787x372	2/3
02	916x392	1/3
01	916x392	1/3

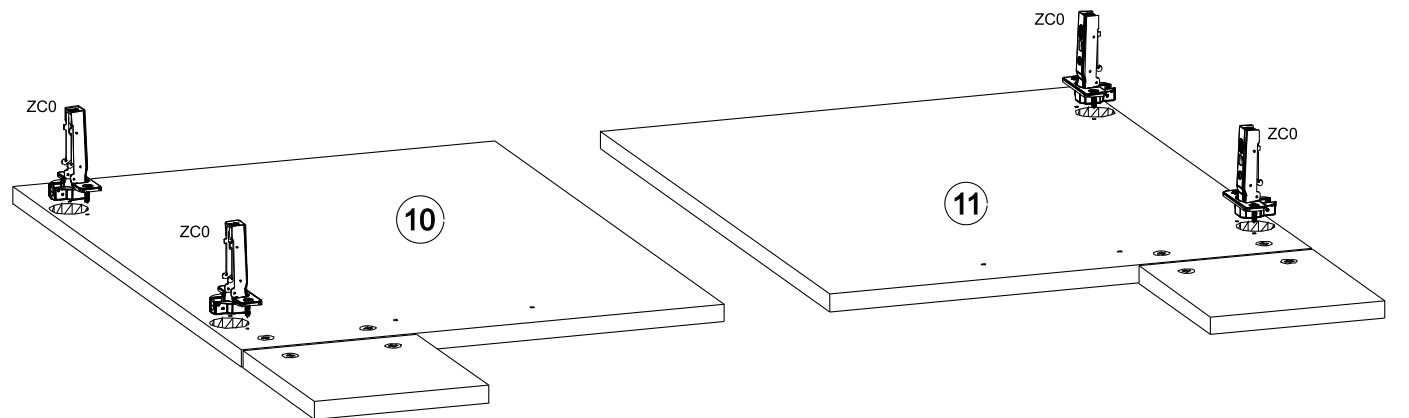
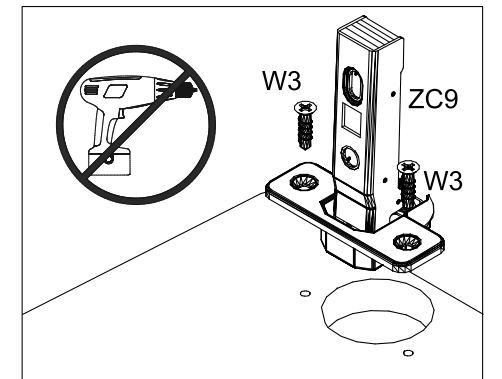
4x ZP3590 ZC0	3x UK394128S U1	6x 4x27 WP4	8x MK15/15 M3					
22x ZS020823F ZN1	8x 3.5x16 W3	13x WS000001X ST1	1 kpl. #300 PK3	4x ZS014823F ZN2	13x 3x20 W9	4x PH200001R PRO	10x 4x25 W4	2x SK055100S N1
4x 6.4x50 K5	22x 8x30 K1	4x ZD000656R T3	1x K20	22x MB15/15 M1	22x DU232T T1	2x SM5050S N2	11x 2x20 G1	8x 5x11 E1



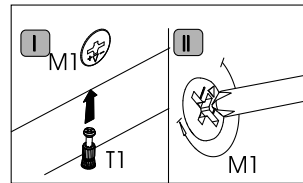
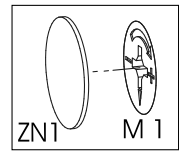
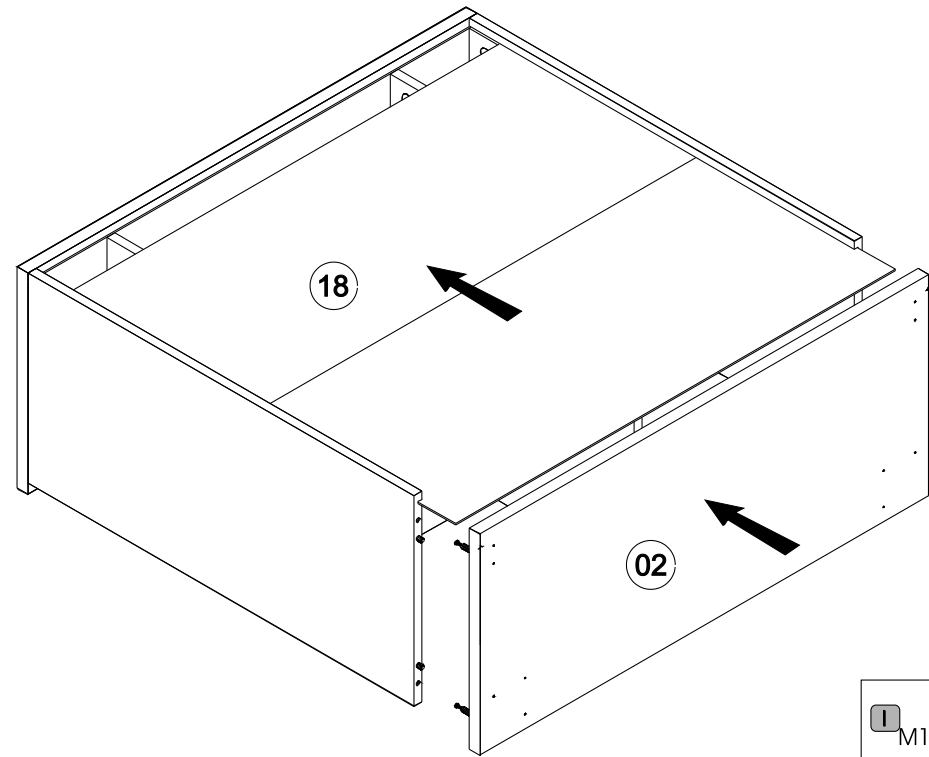
10▶



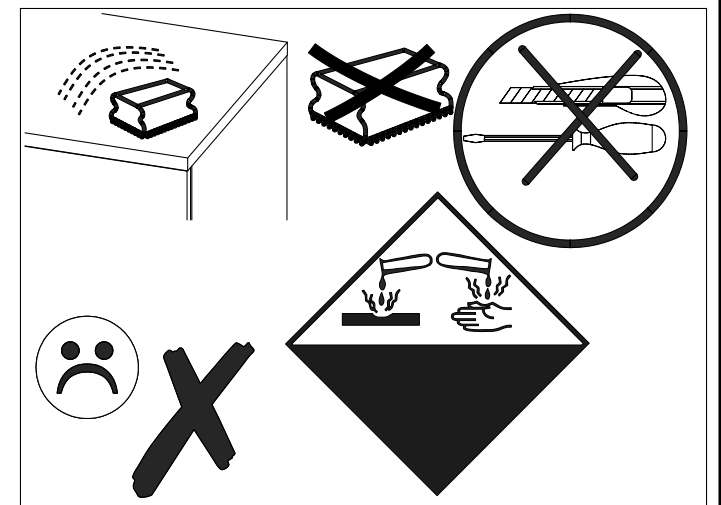
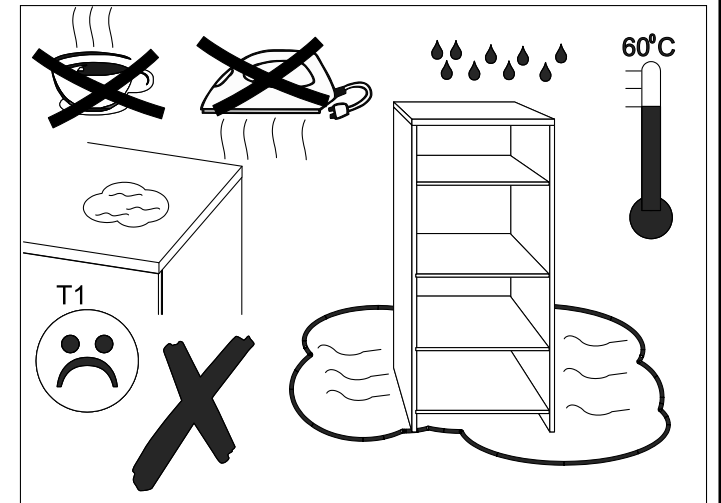
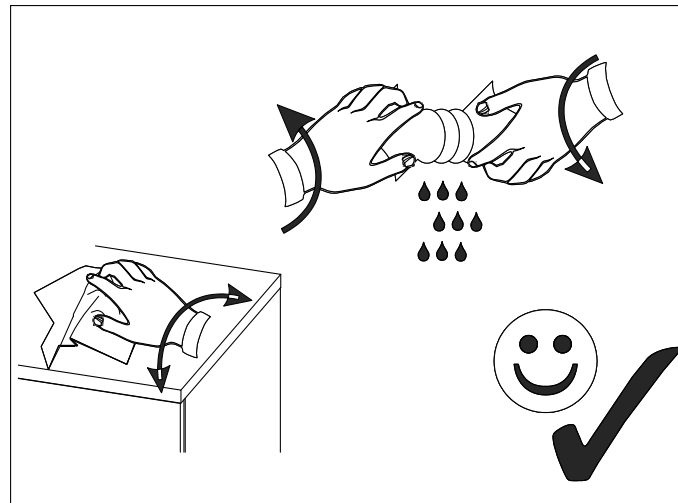
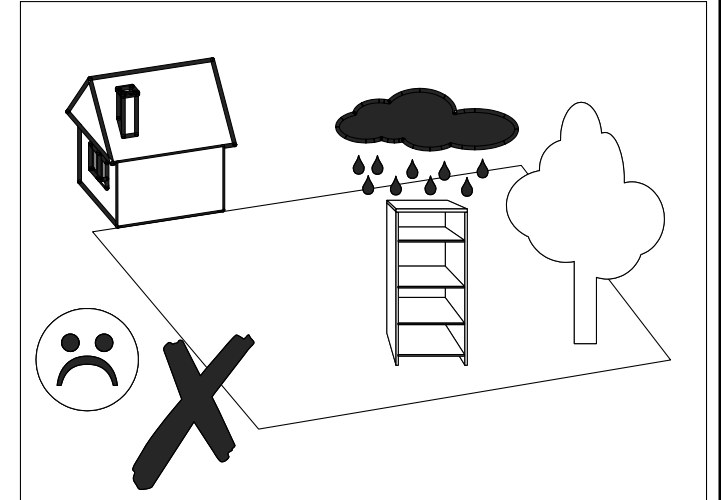
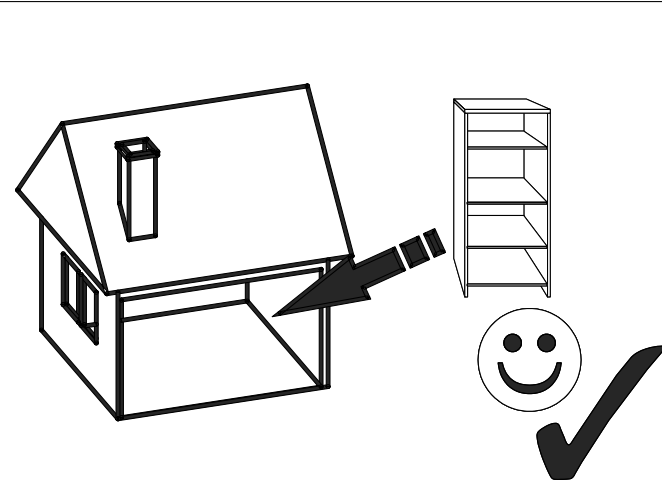
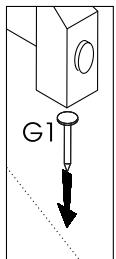
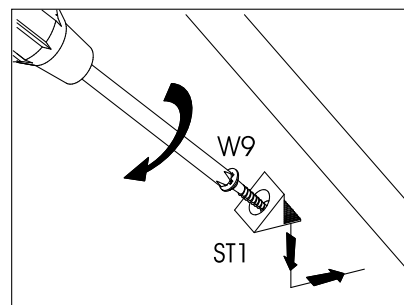
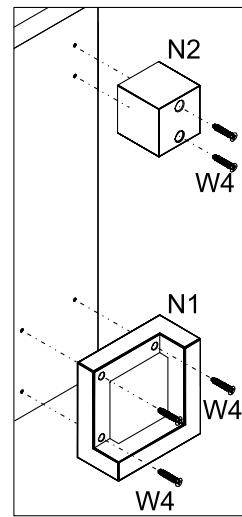
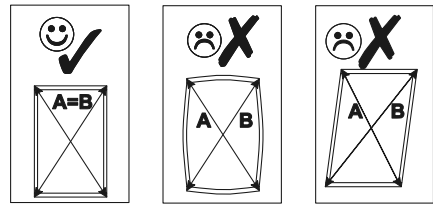
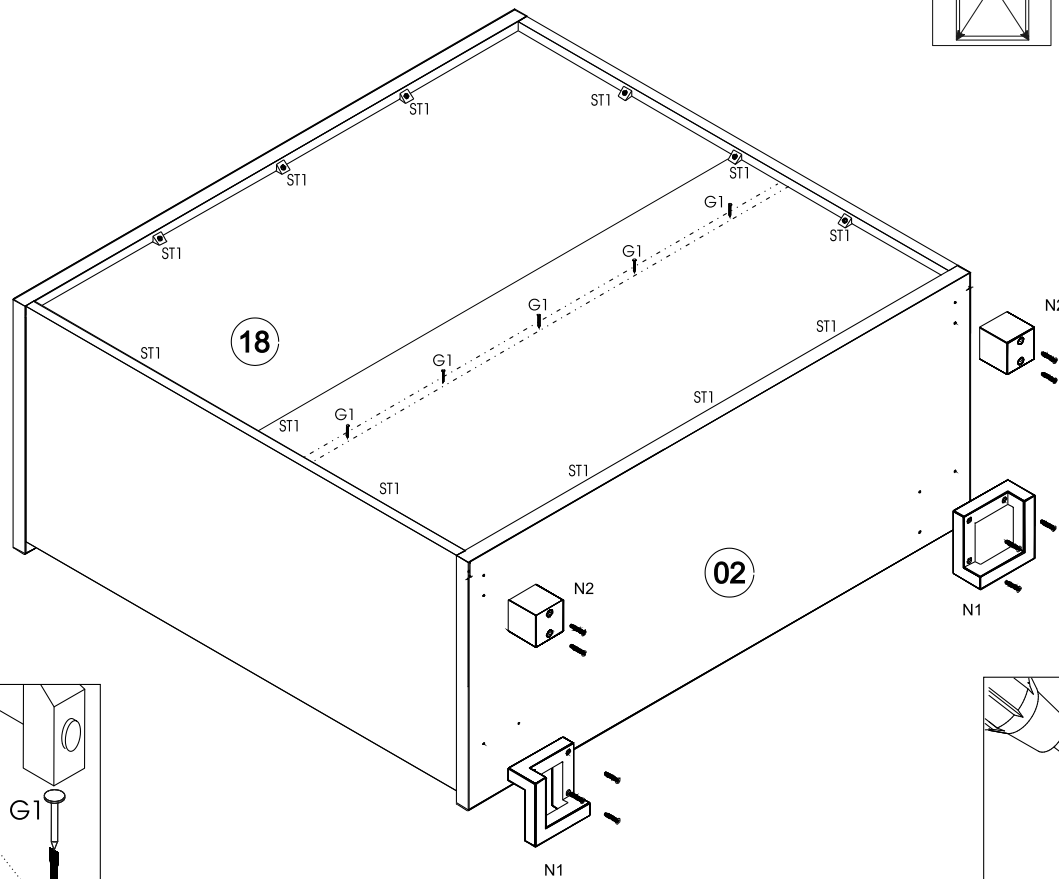
11▶



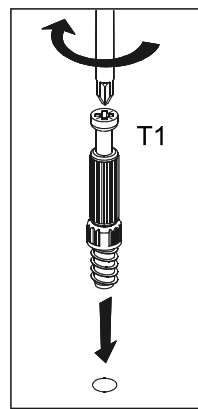
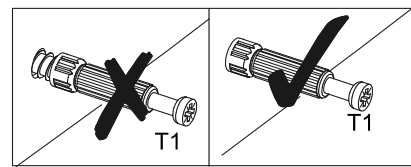
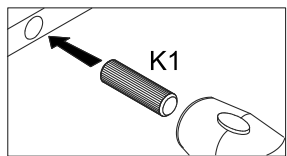
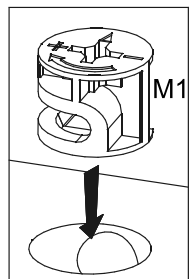
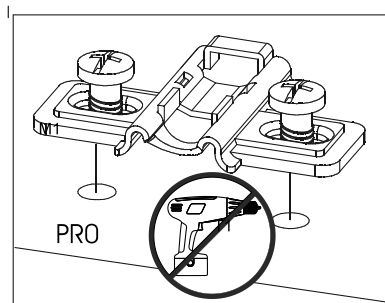
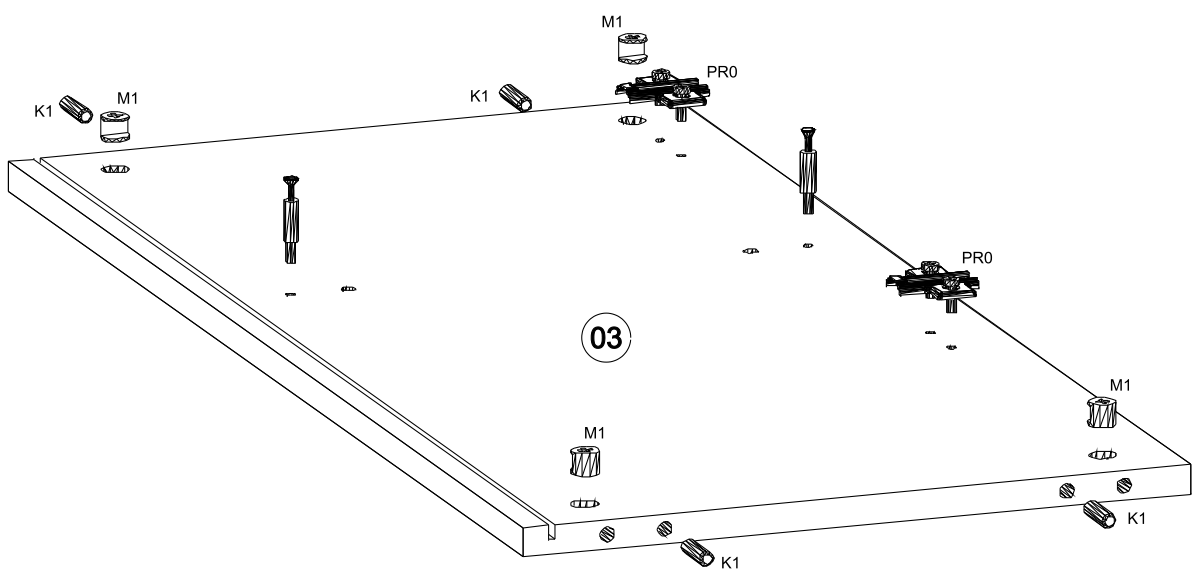
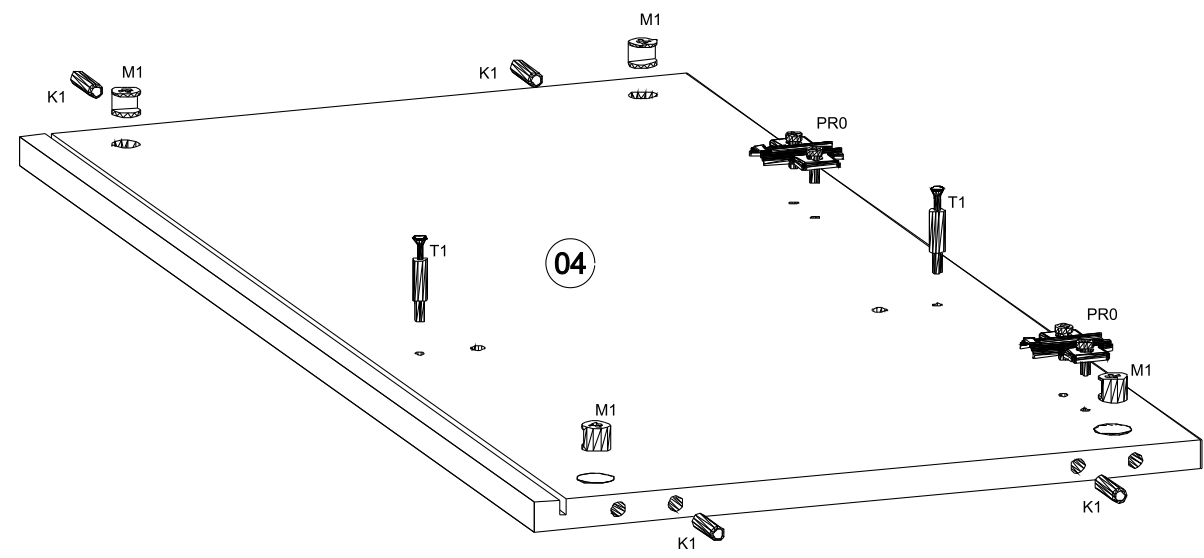
8



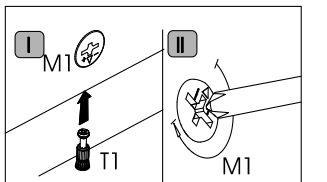
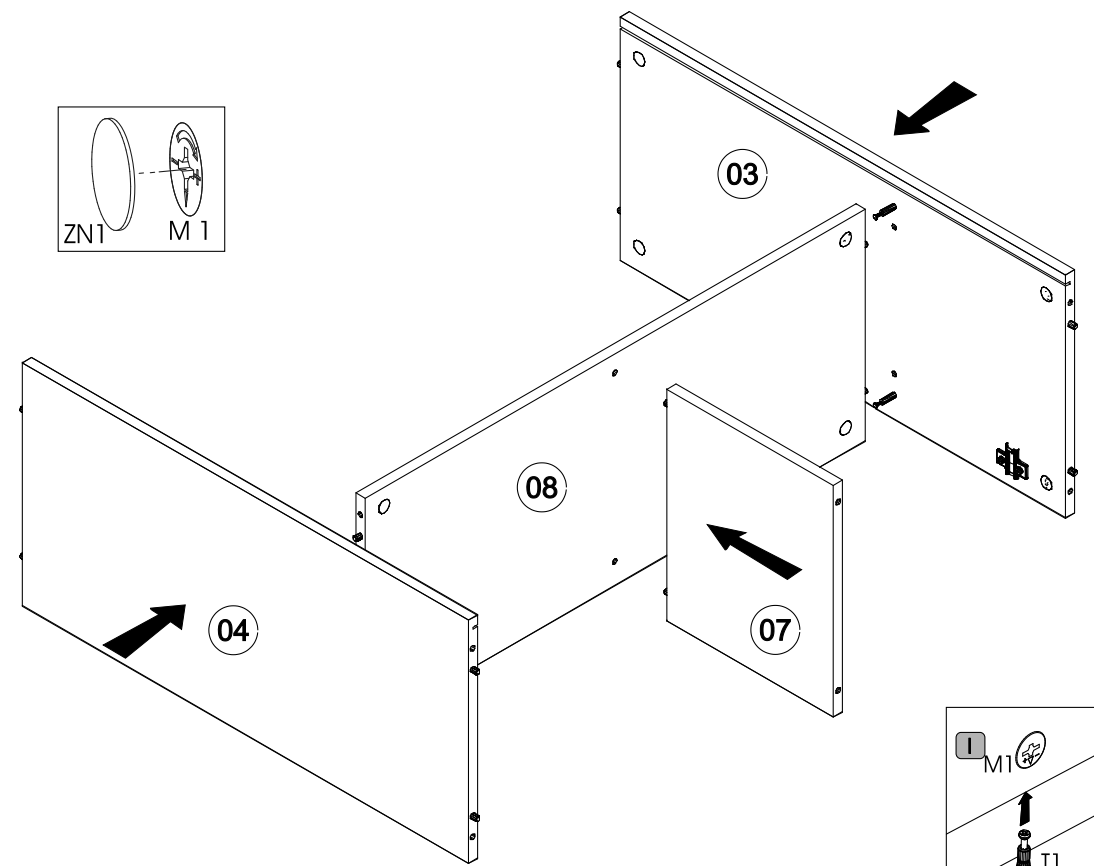
9



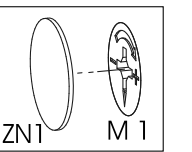
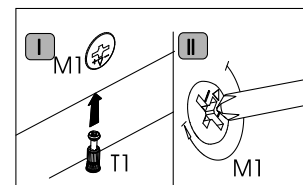
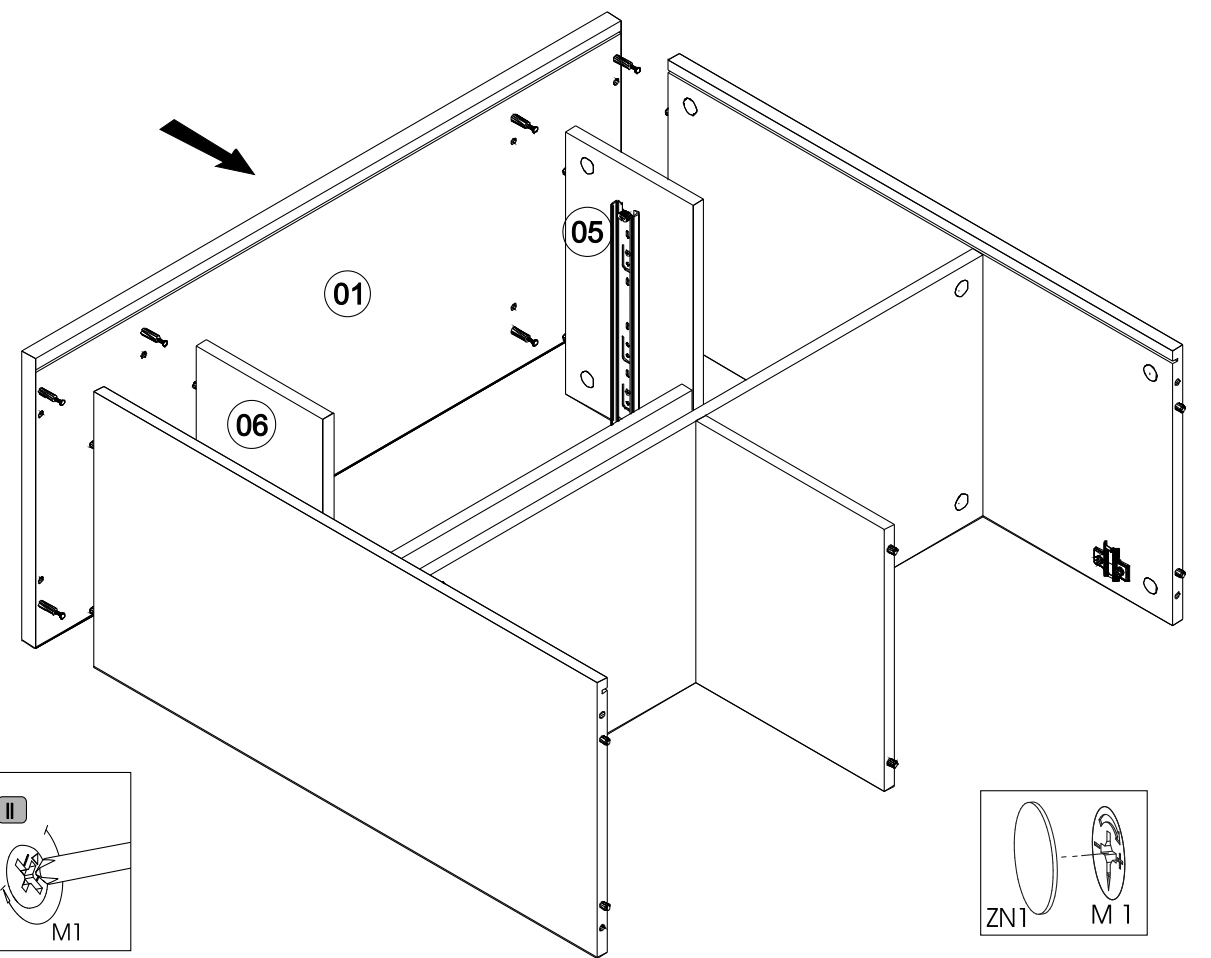
1



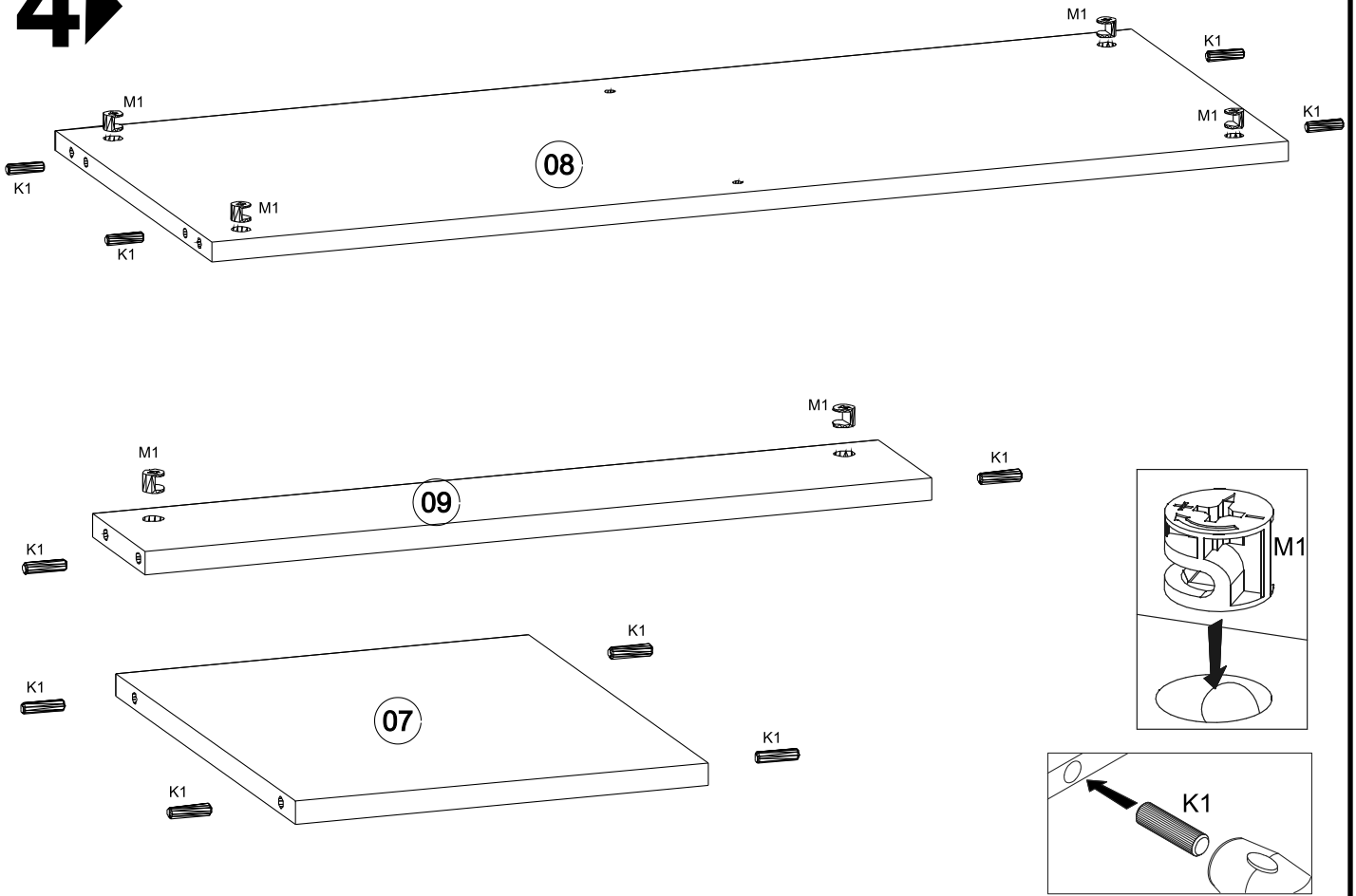
6



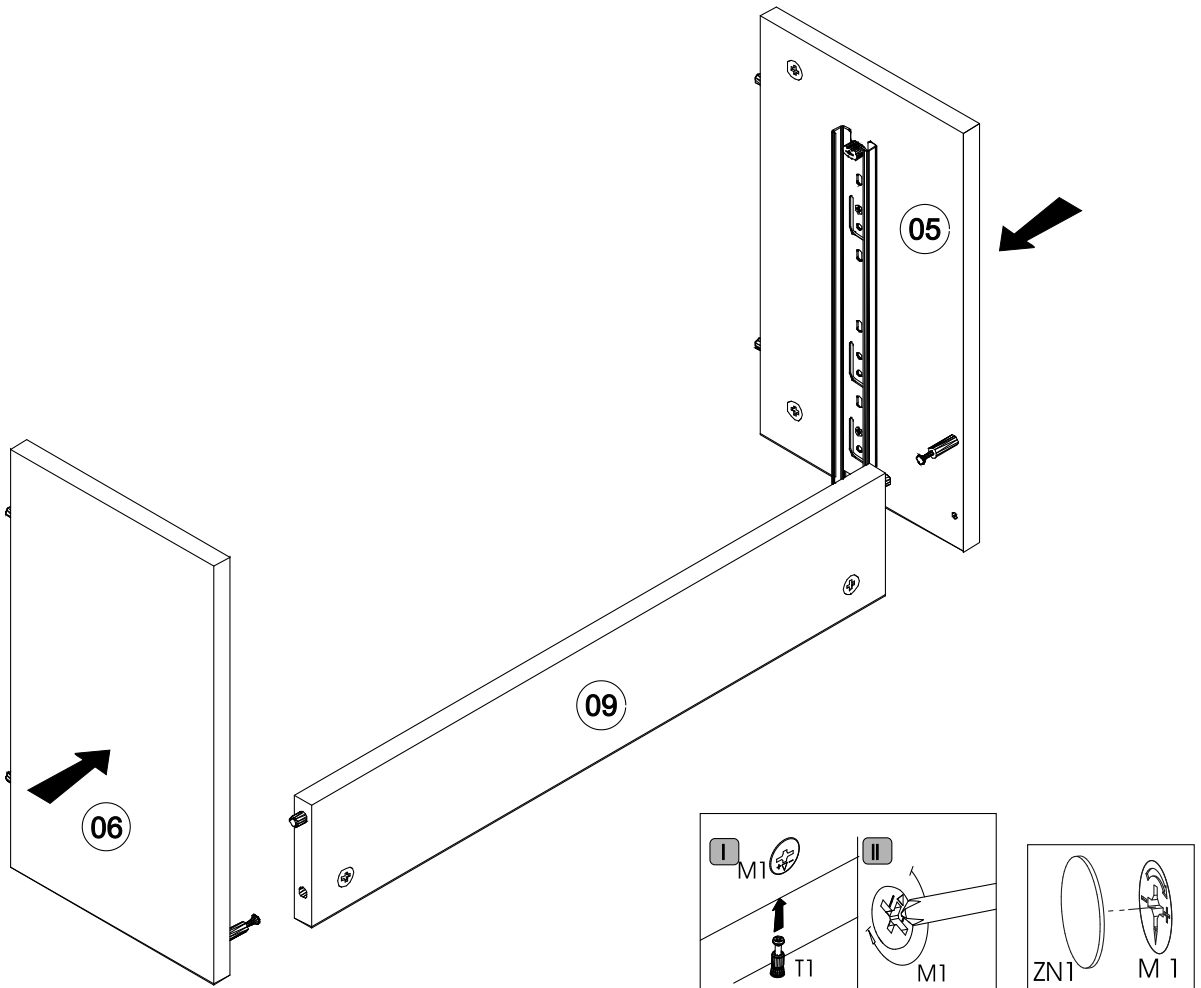
7



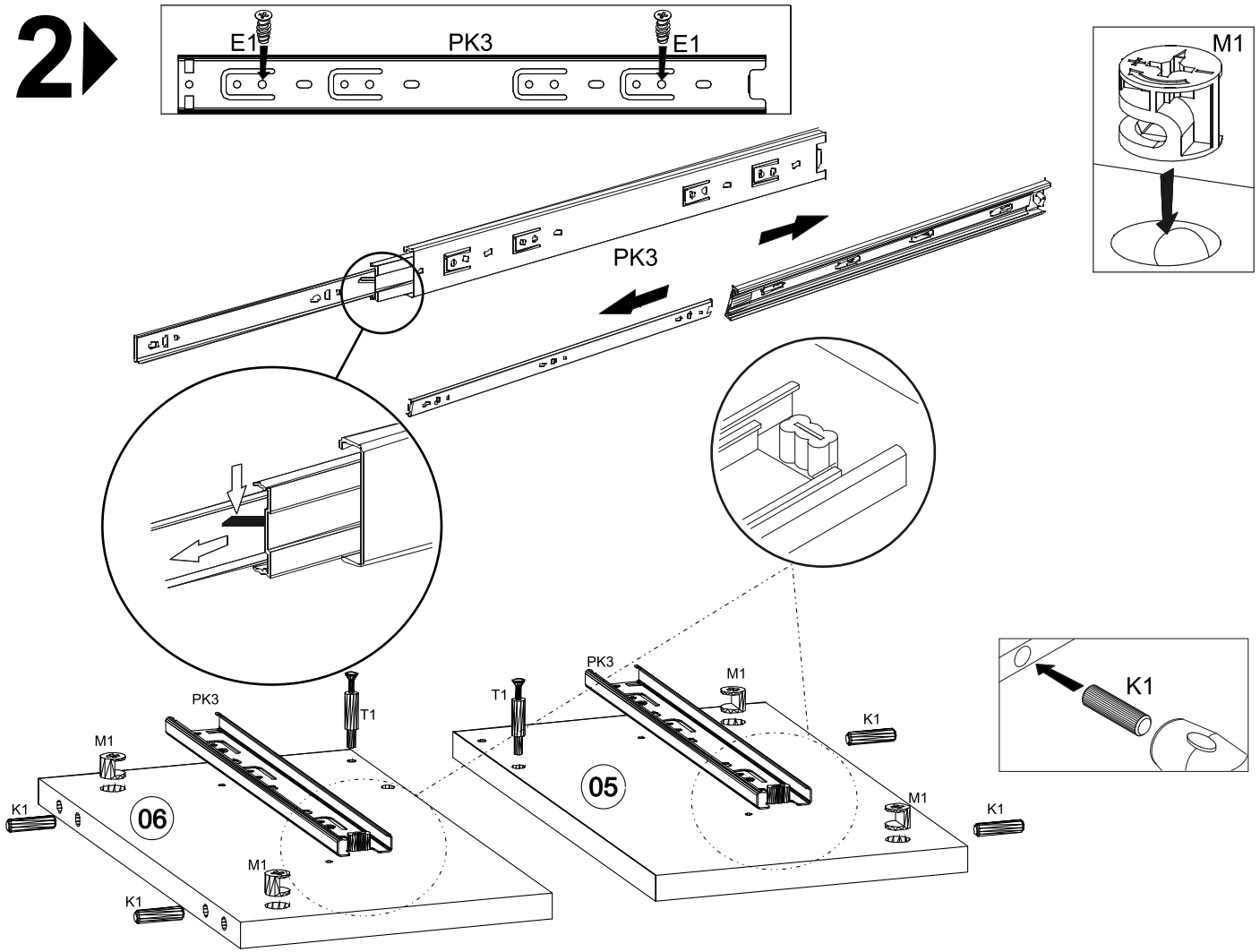
4



5



2



3

