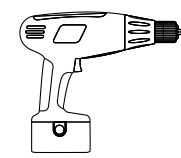
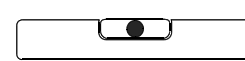
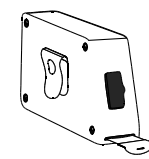
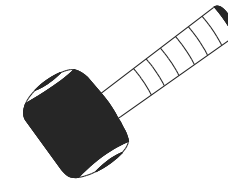
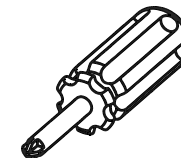
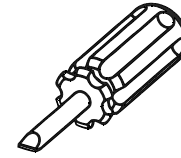
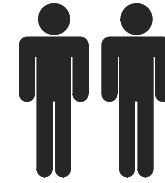
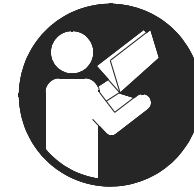
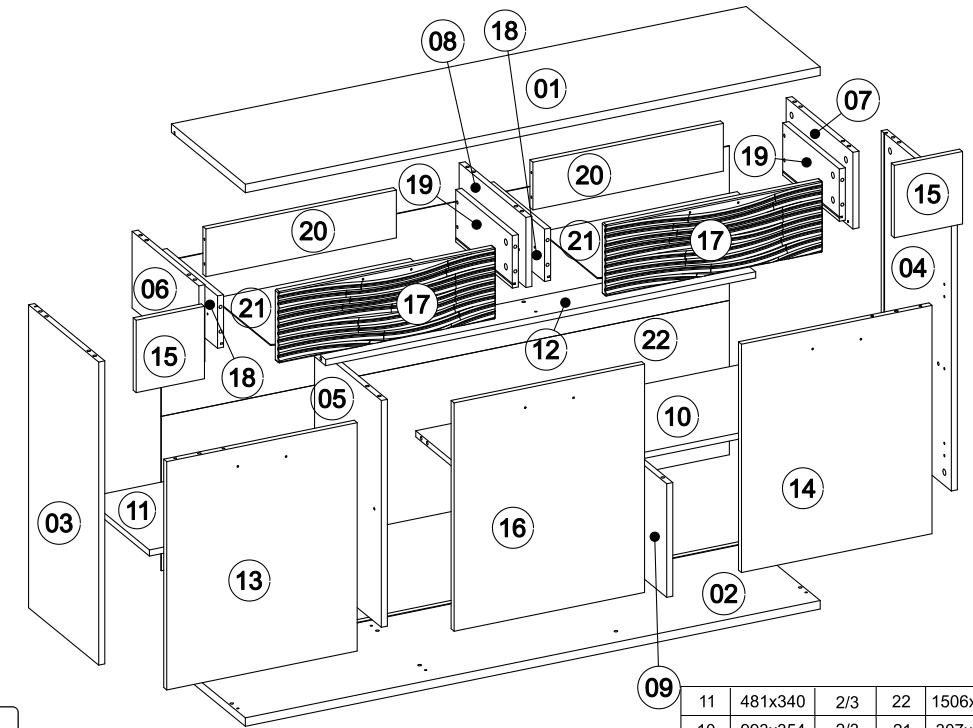
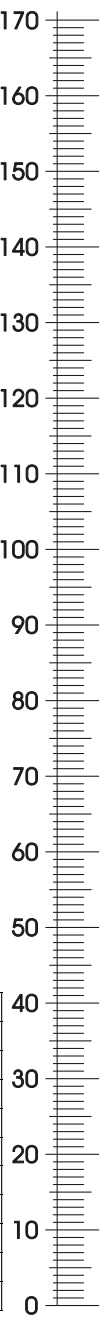
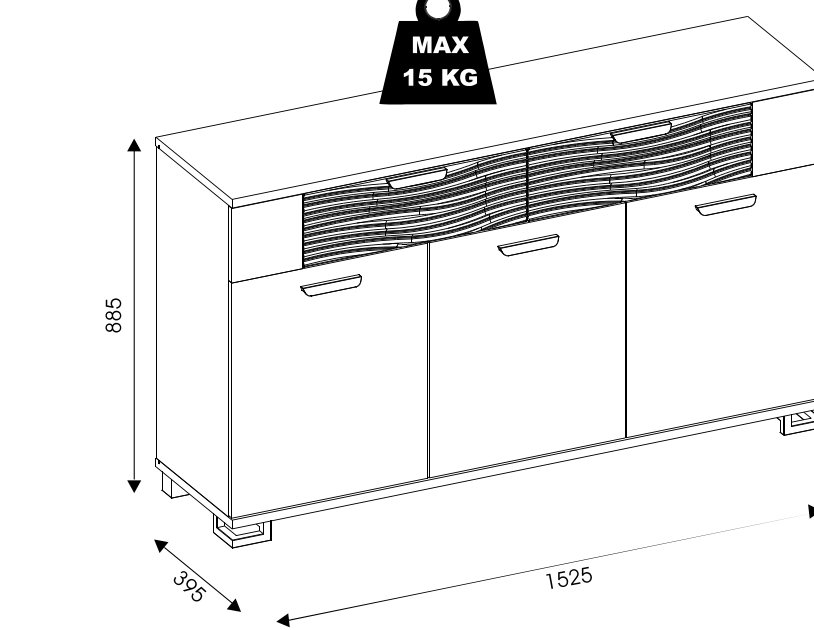


# MODELL: GT03

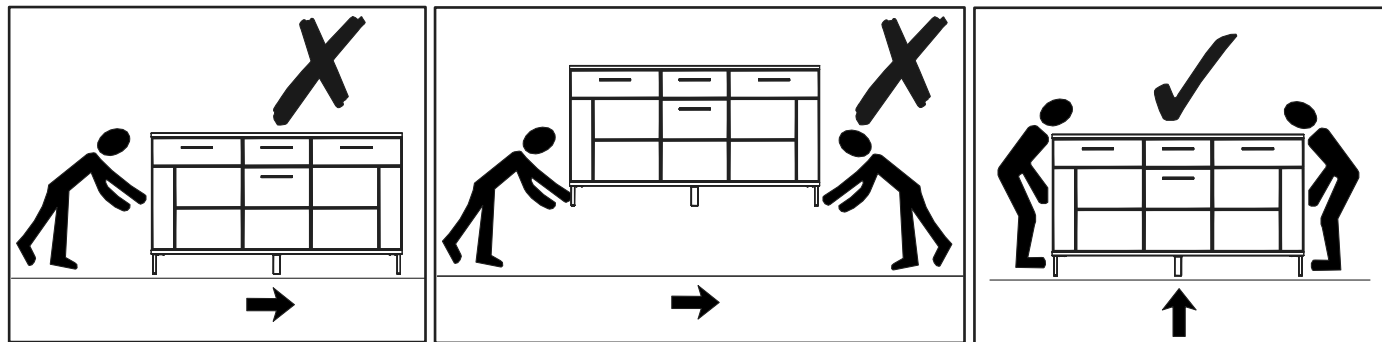
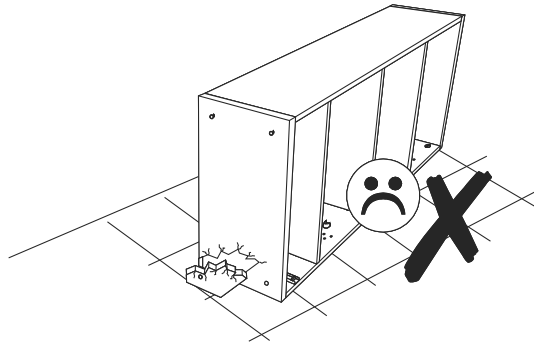
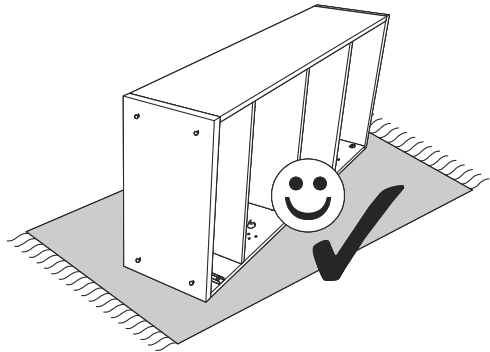
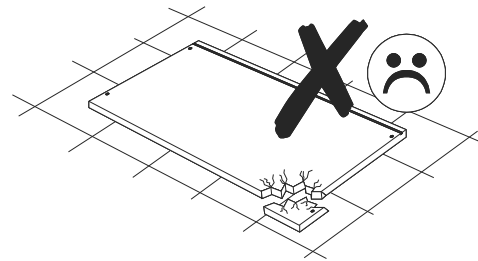
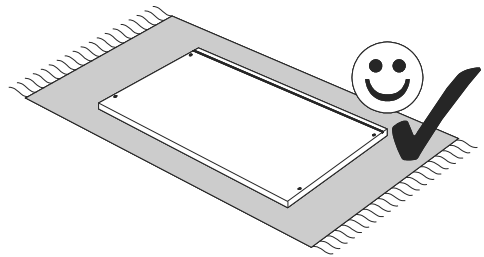
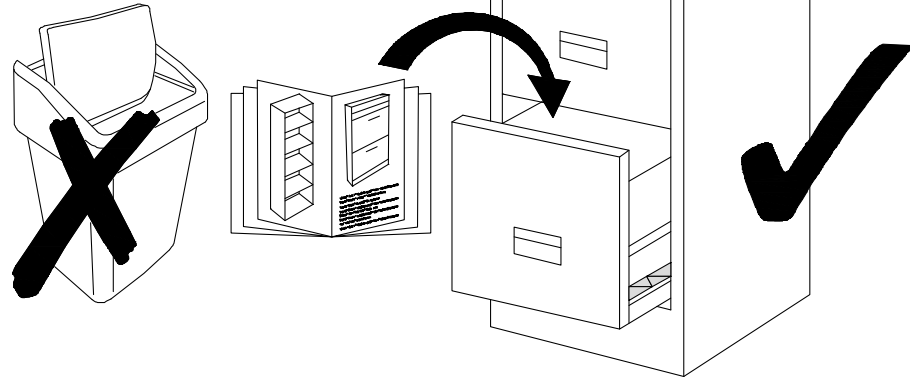


MAX  
15 KG

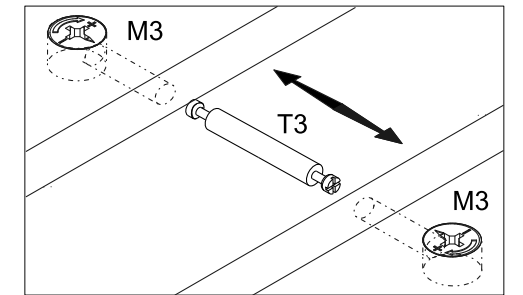
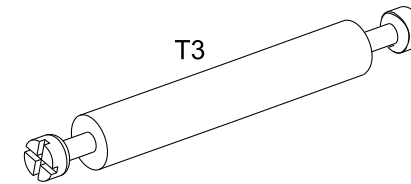
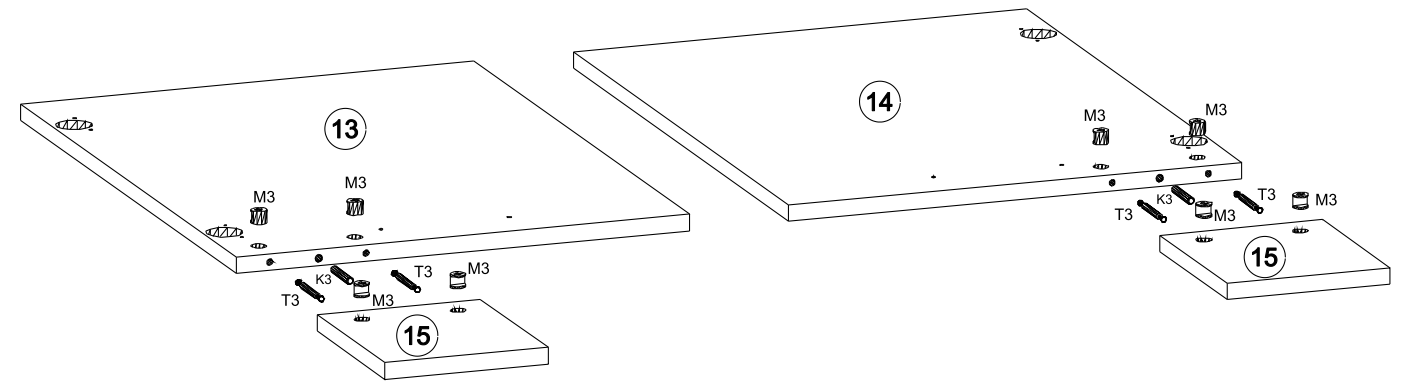


11	481x340	2/3	22	1506x802	1/3
10	993x354	2/3	21	307x520	1/3
09	295x354	2/3	20	505x124	1/3
08	182x354	2/3	19	300x136	1/3
07	199x354	2/3	18	300x136	1/3
06	199x354	2/3	17	575x185	3/3
05	589x354	2/3	16	593x505	3/3
04	787x372	2/3	15	188x181	3/3
03	787x372	2/3	14	593x505	3/3
02	1524x392	1/3	13	593x505	3/3
01	1524x392	1/3	12	1140x104	1/3

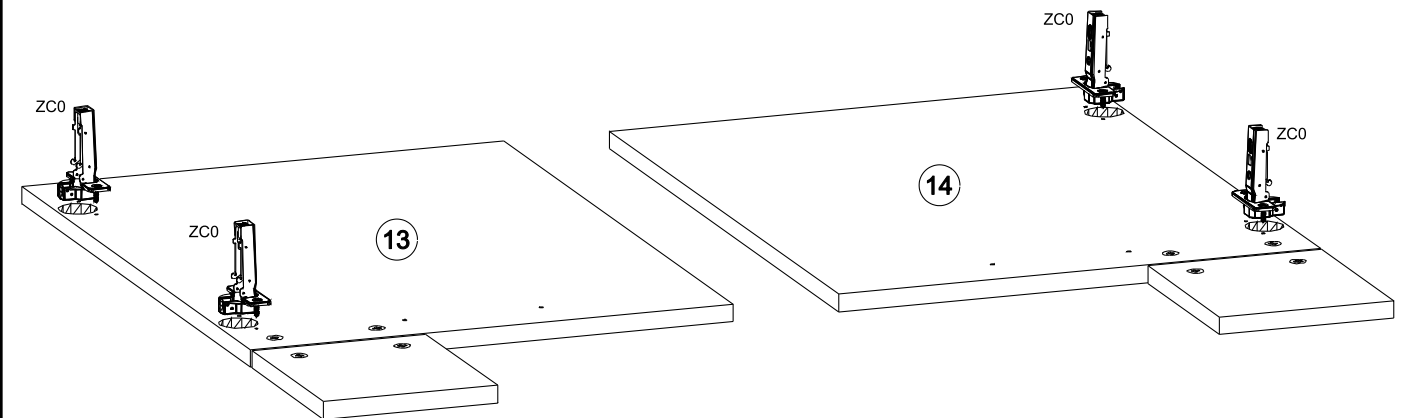
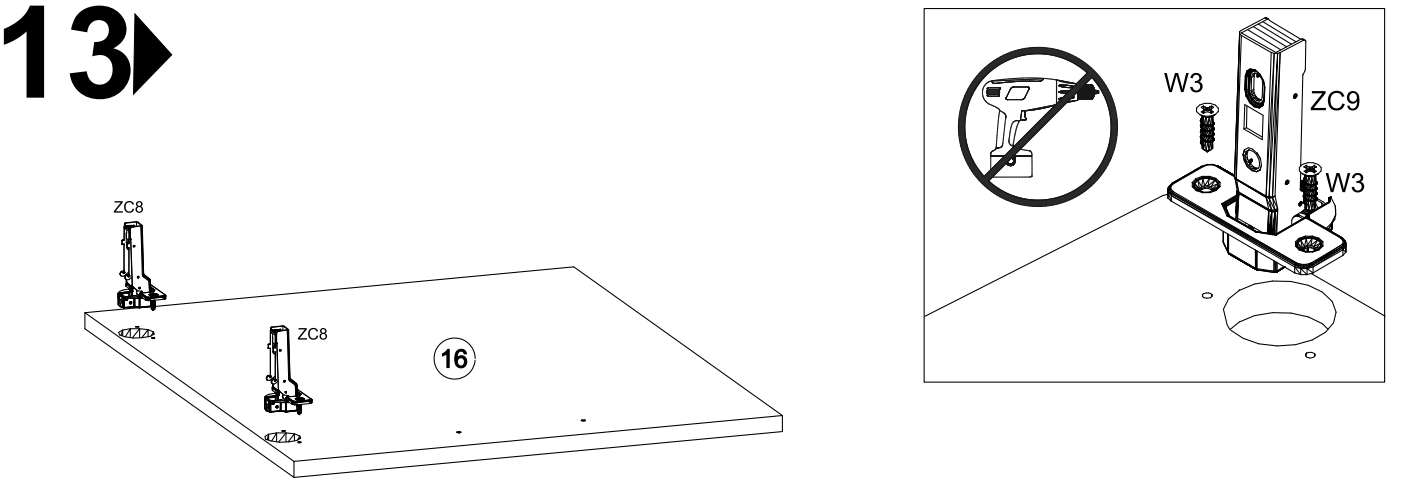
4x	ZH013011R	ZC0	5x	UK394128S	U1	10x	4x27	WP4	8x	MK15/15	M3	1x	SA004045P	N3	4x	B1	2x	8x55	K3	2x	ZH013811R	ZC8				
32x	ZS020823F	ZN1	16x	3.5x16	W3	16x	WS000001X	ST1	2 kpl.	#300	PK3	8x	ZS014823F	ZN2	16x	3x20	W9	6x	PH200001R	PRO	10x	4x25	W4	2x	SK055100S	N1
8x	6.4x50	K5	28x	8x30	K1	4x	ZD000656R	T3	1x		K20	32x	MB15/15	M1	32x	DU232T	T1	2x	SM5050S	N2	27x	2x20	G1	16x	5x11	E1



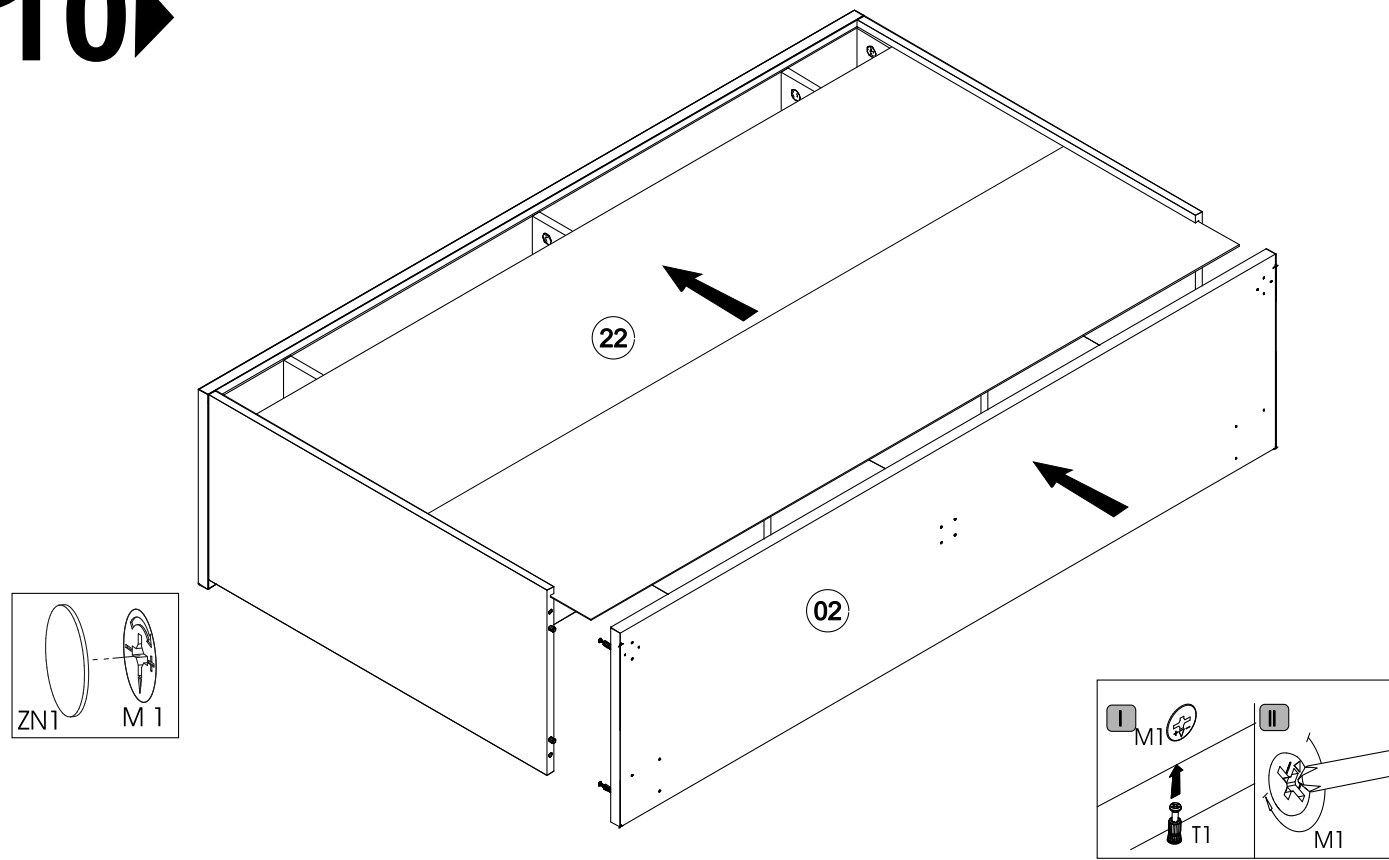
# 12



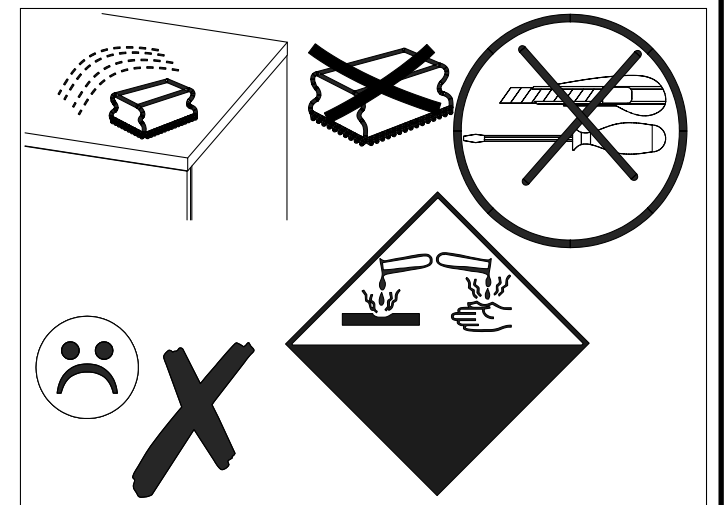
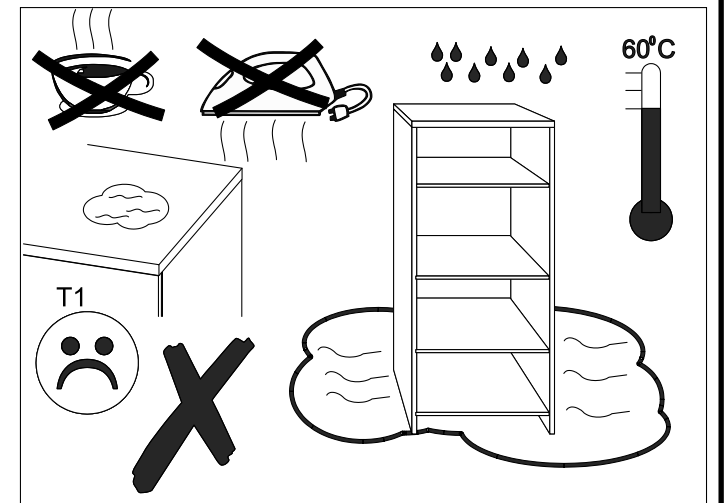
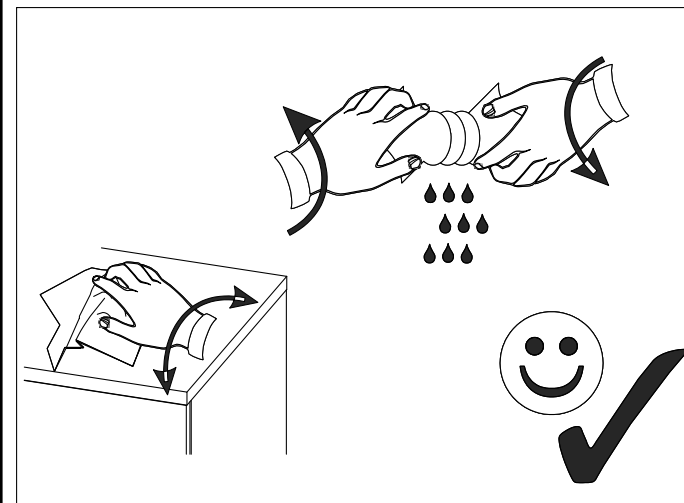
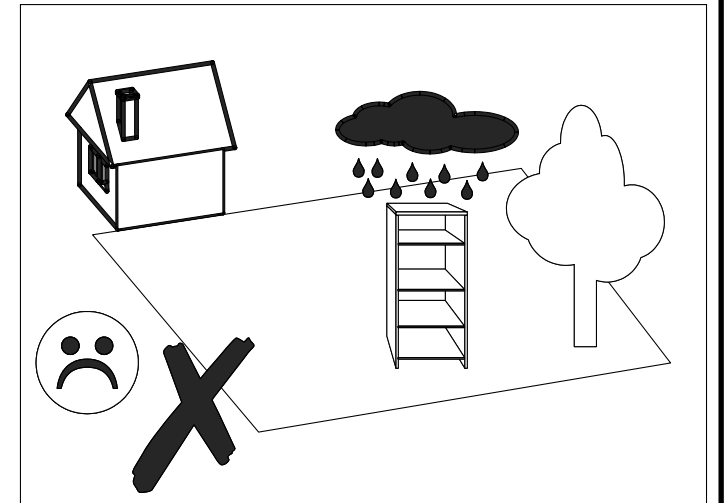
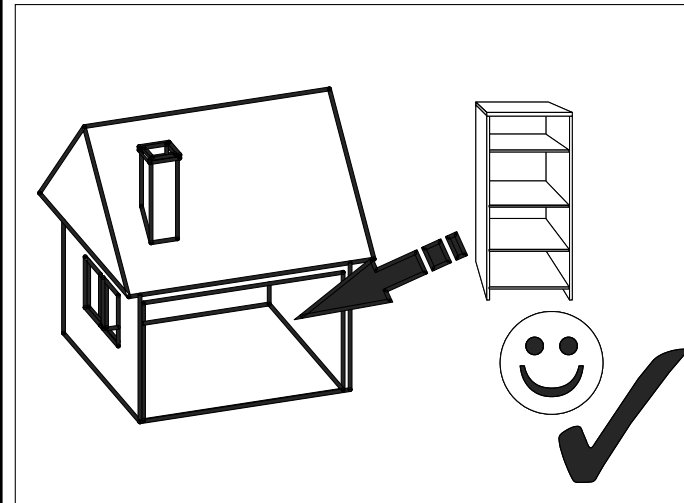
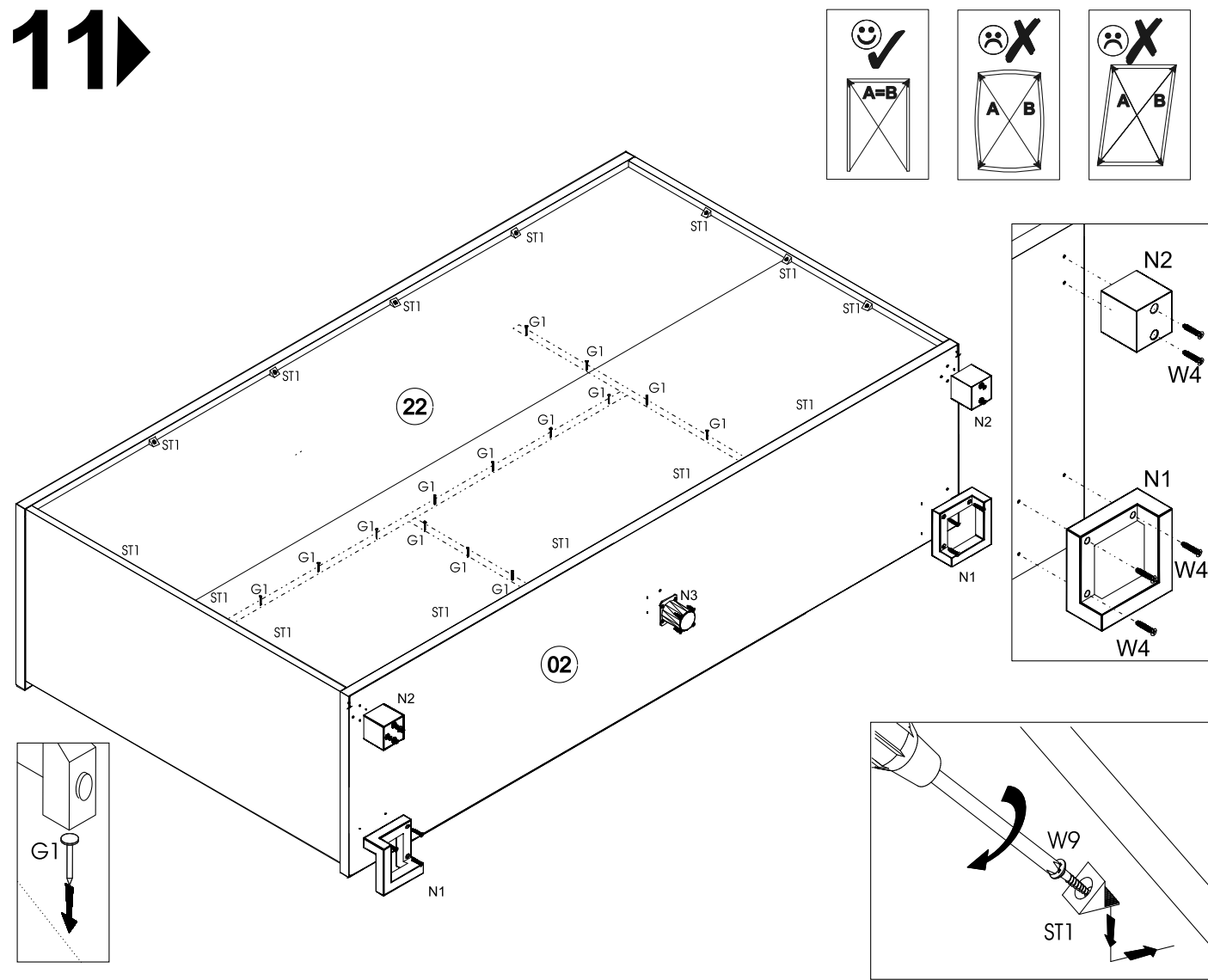
# 13

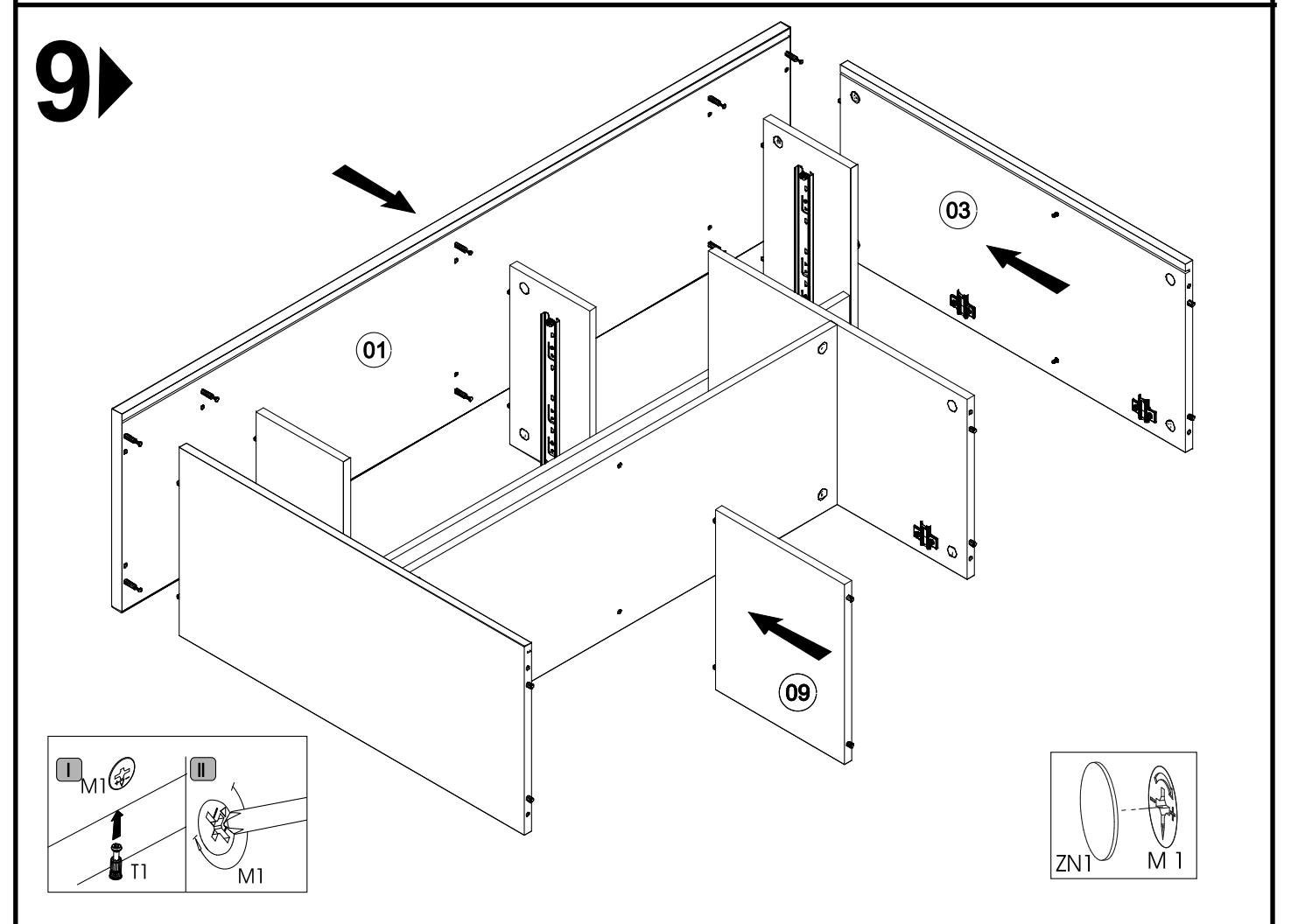
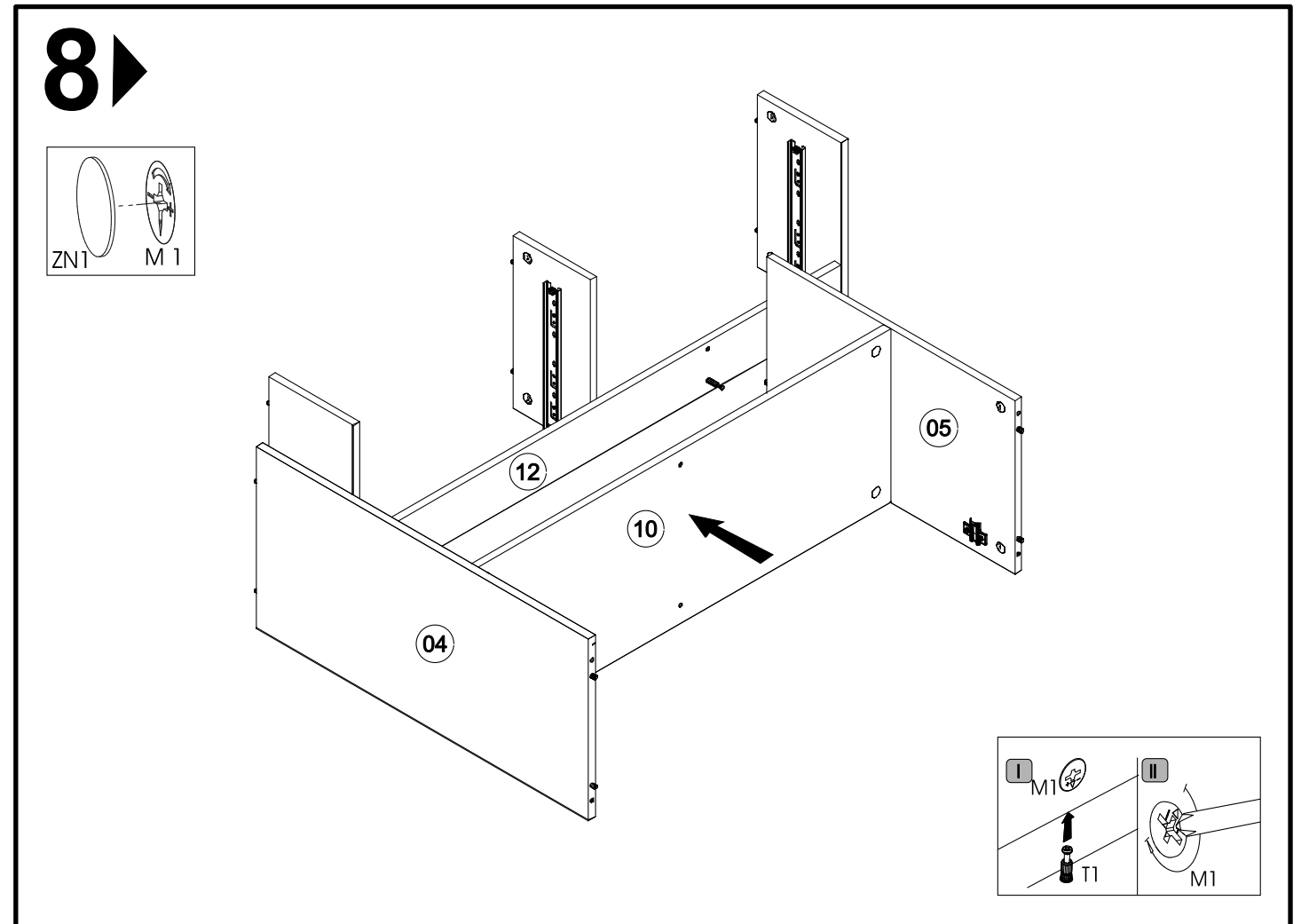
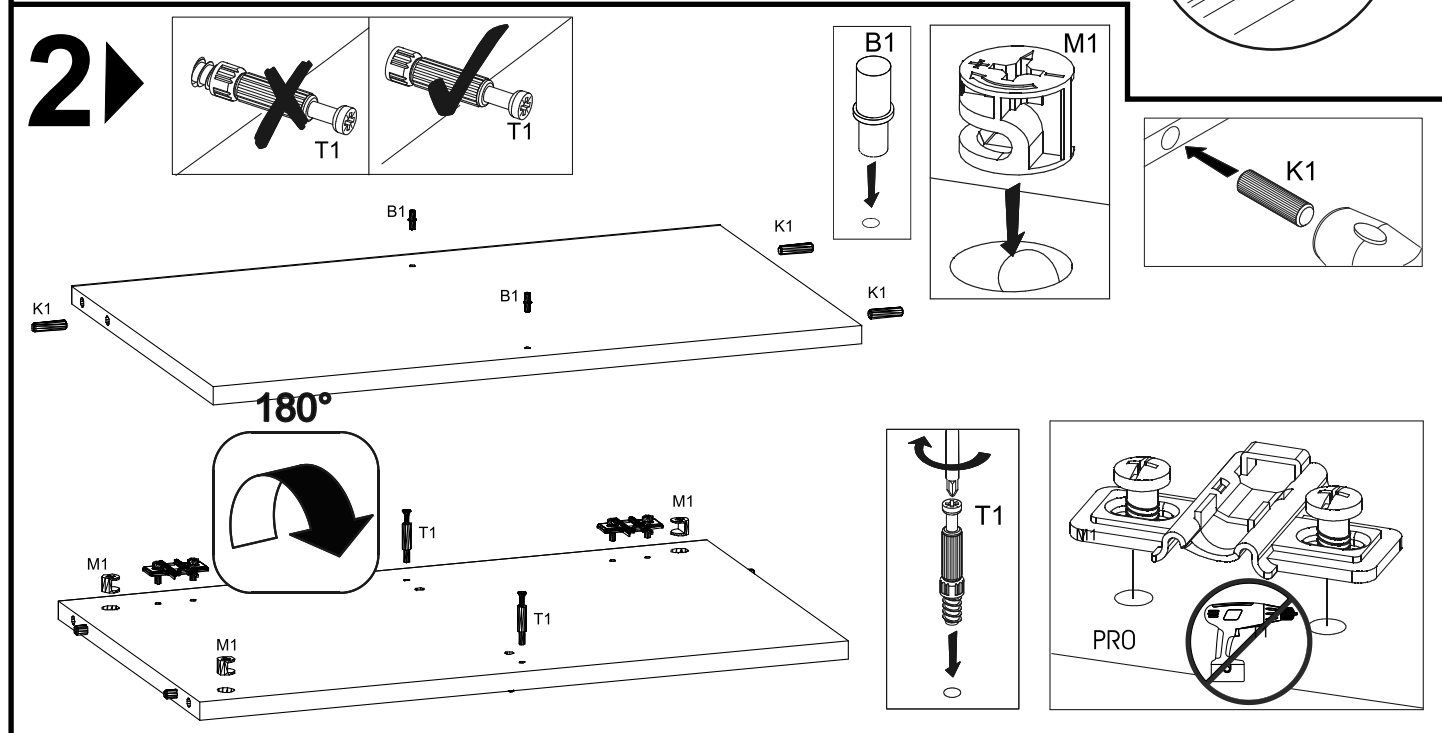
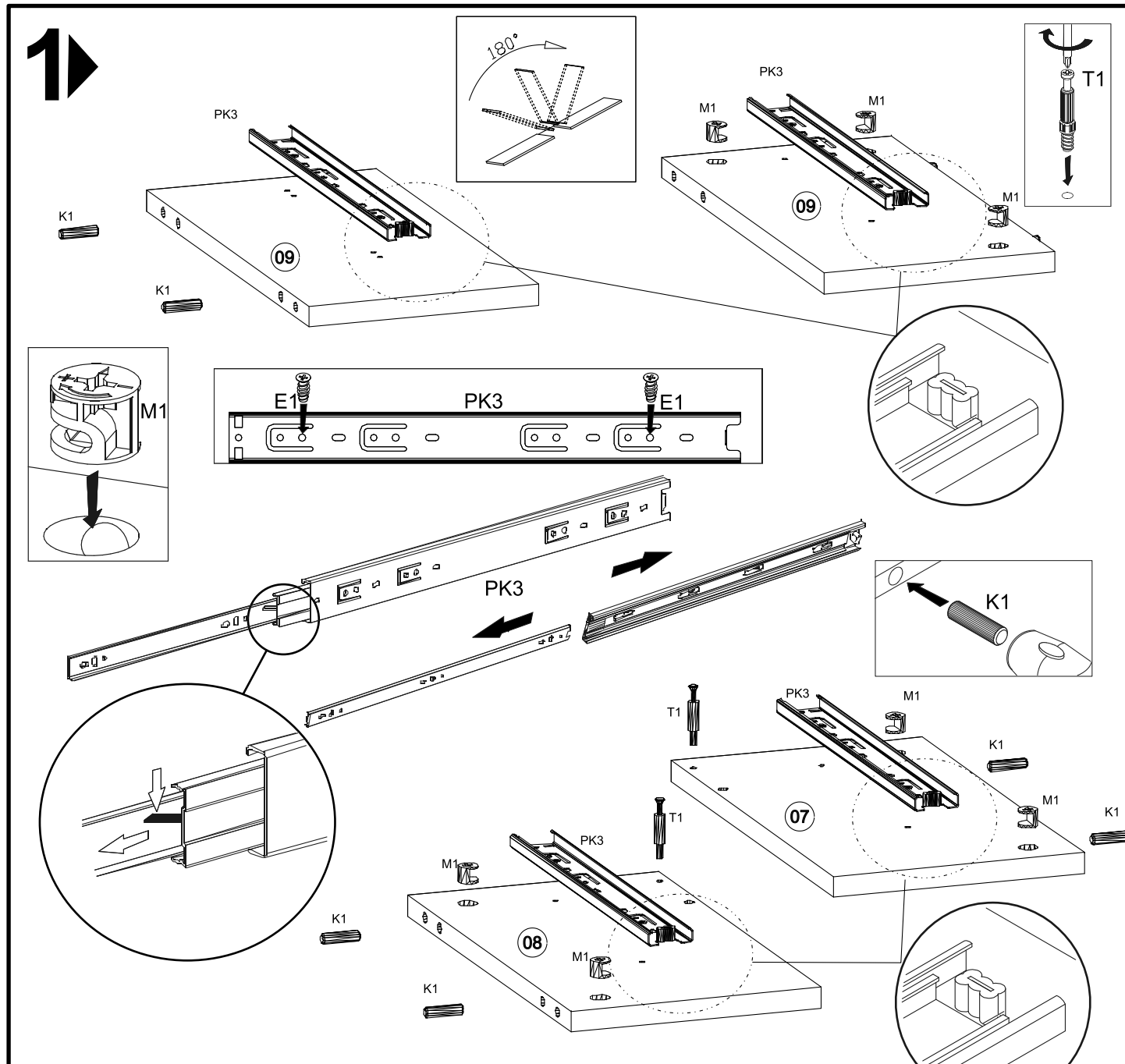


10



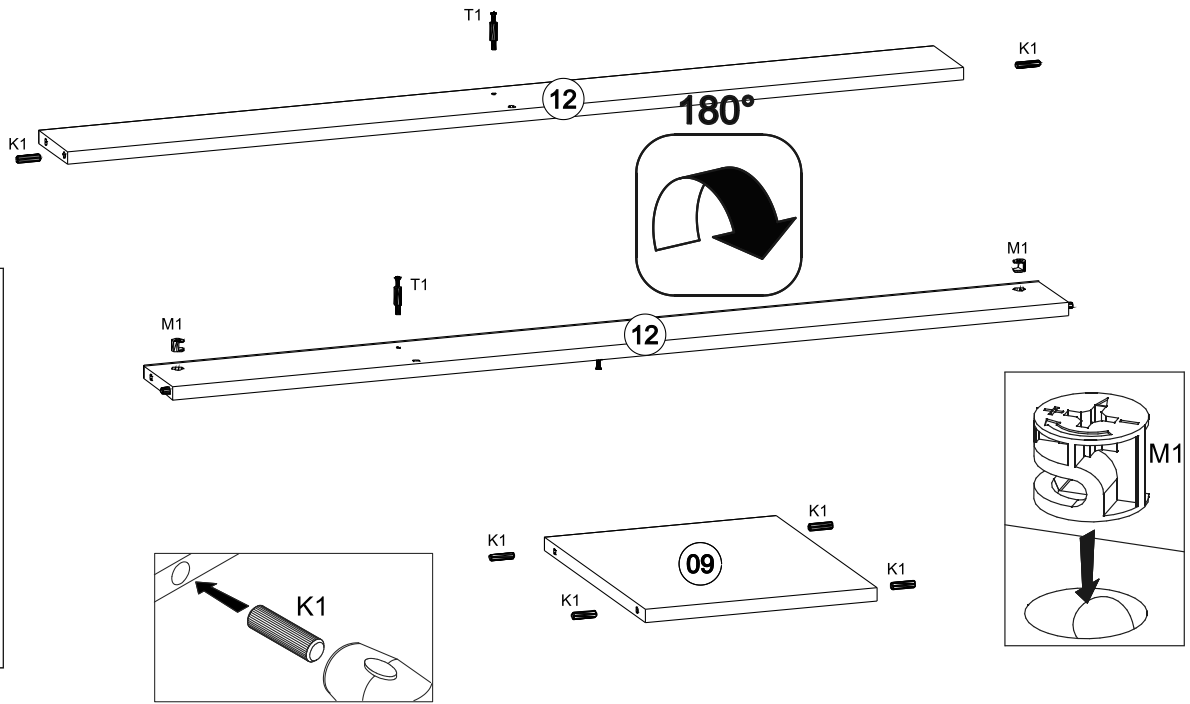
11



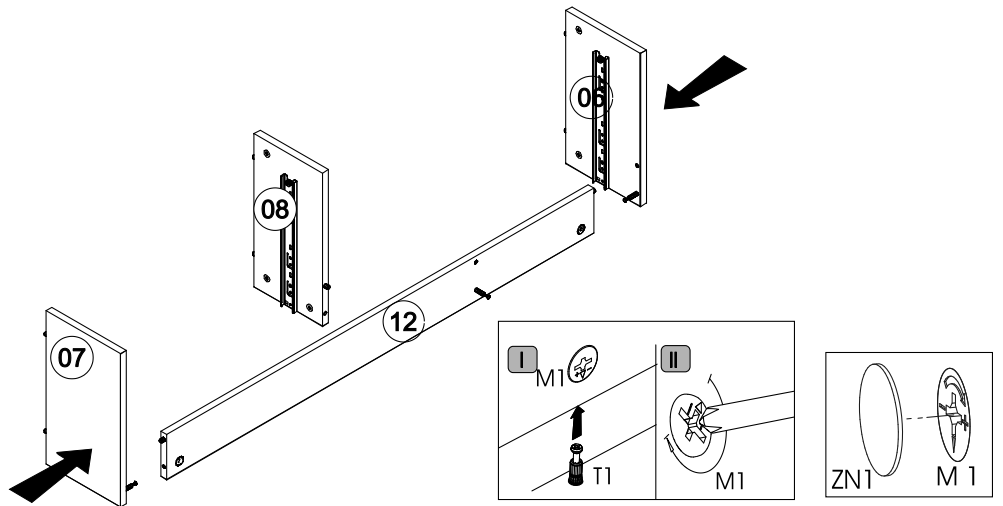




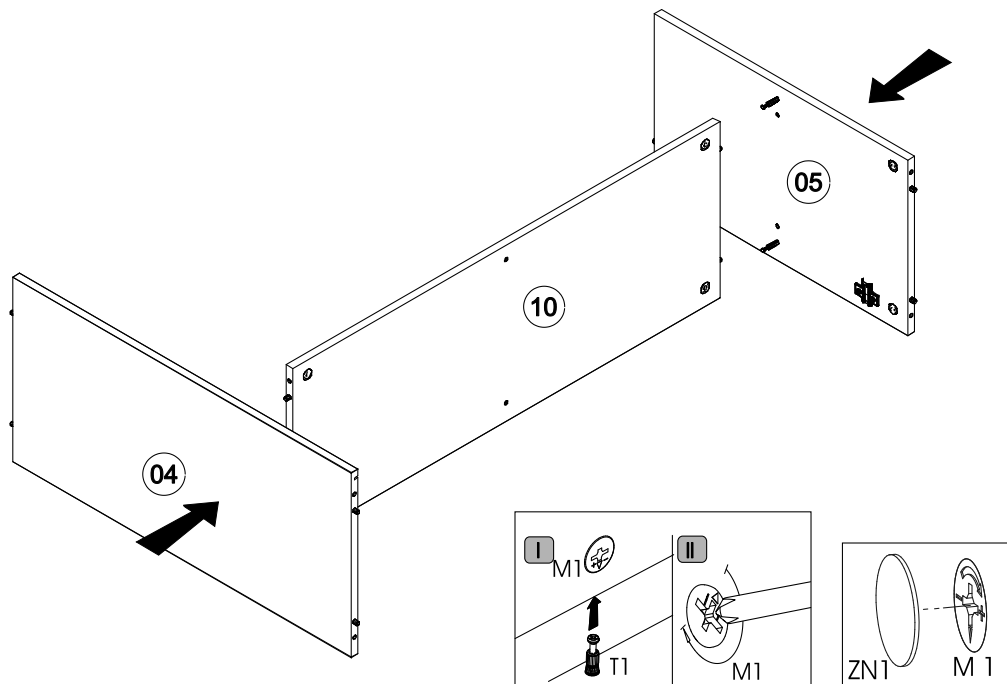
# 5



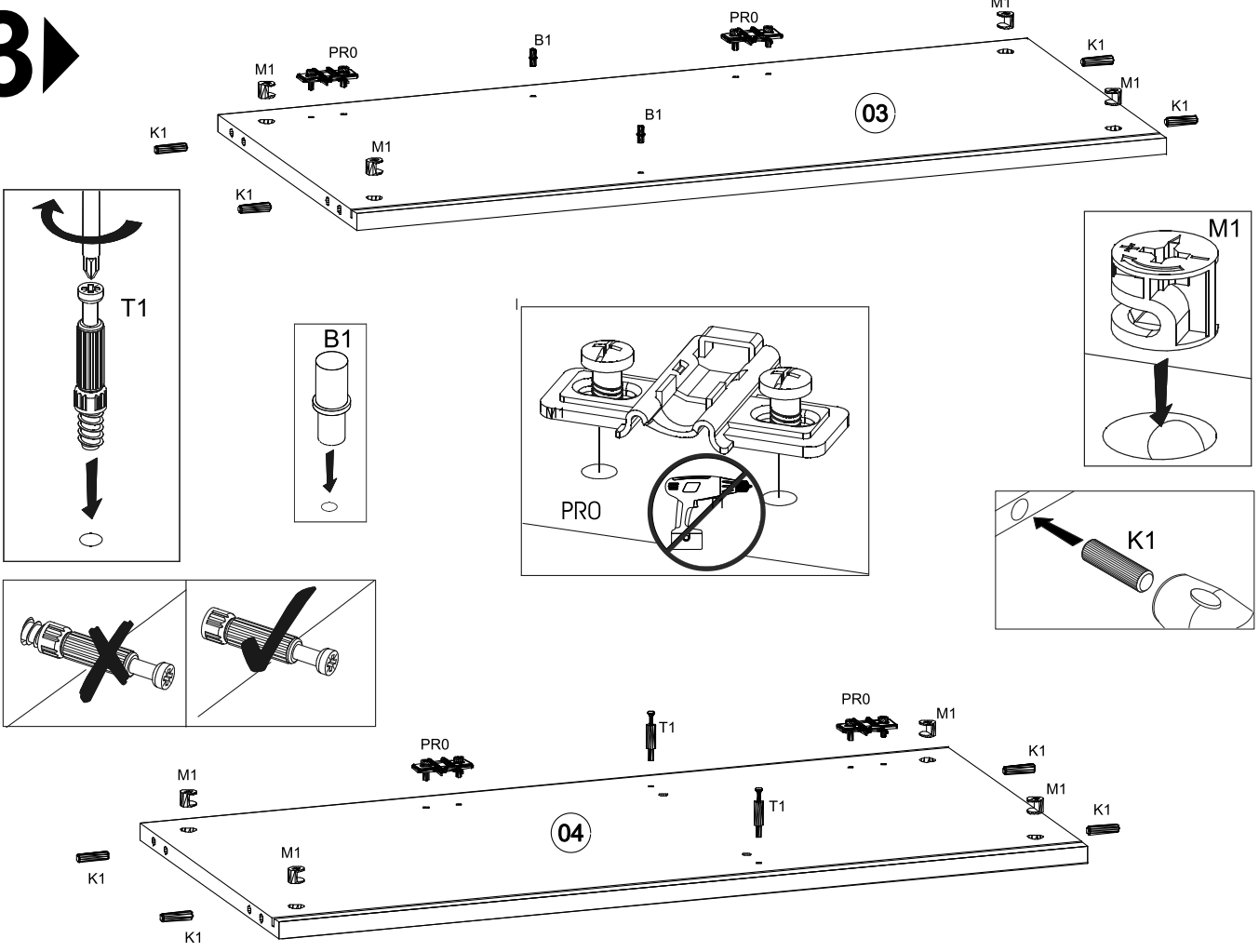
# 6



# 7



# 3



# 4

