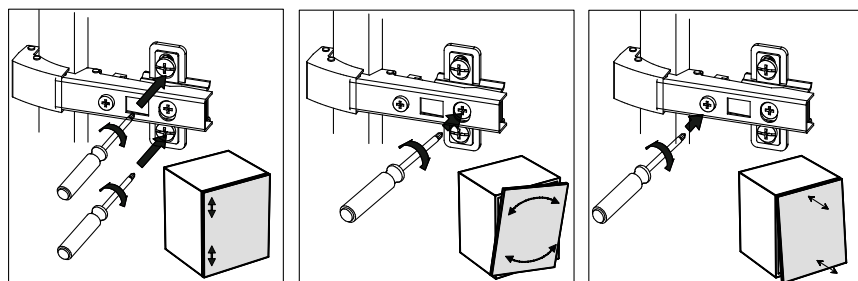
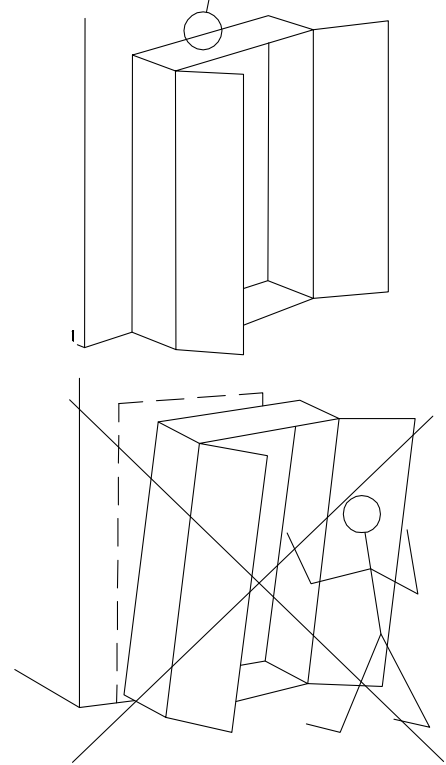
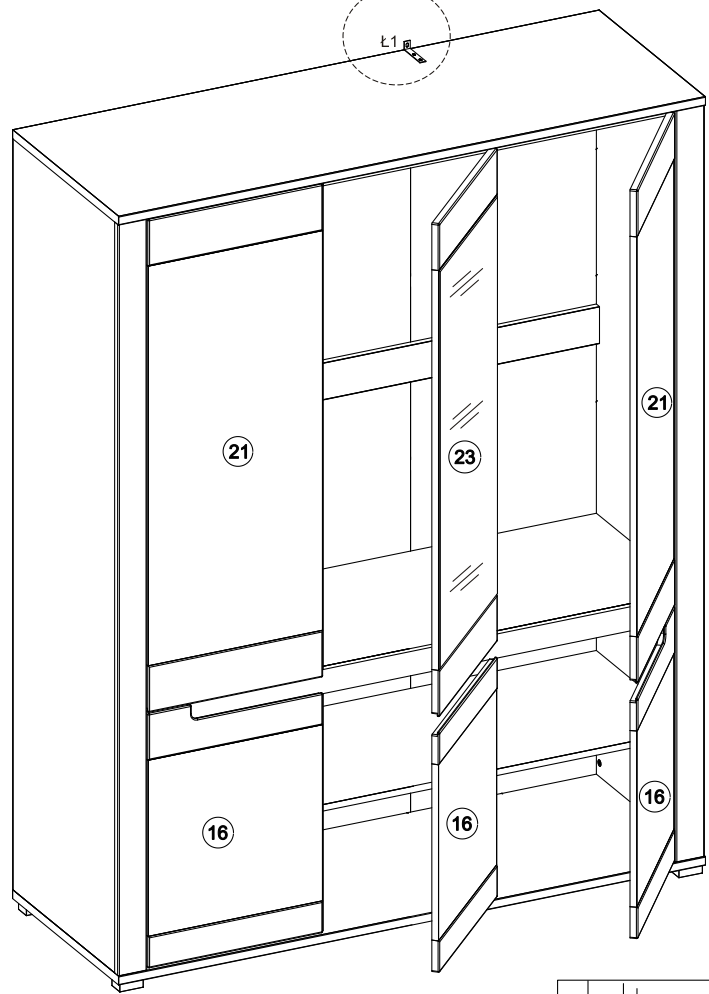
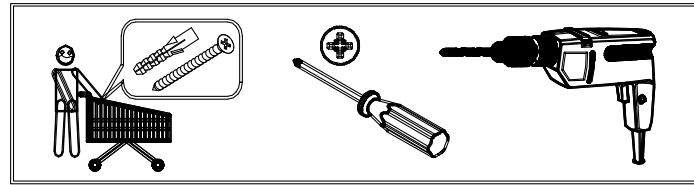
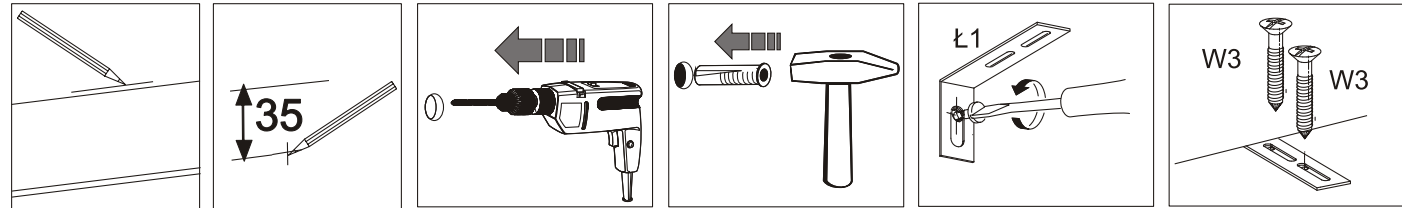
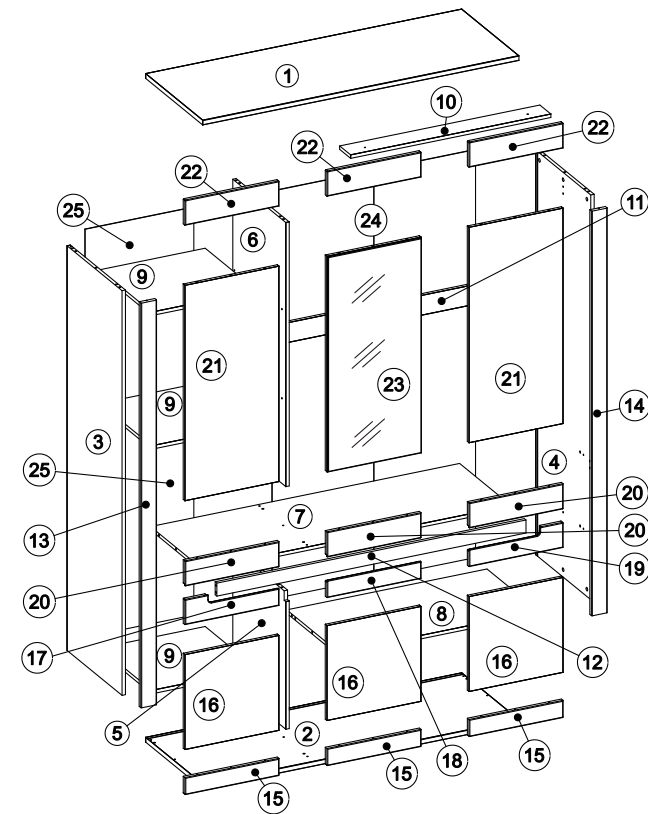
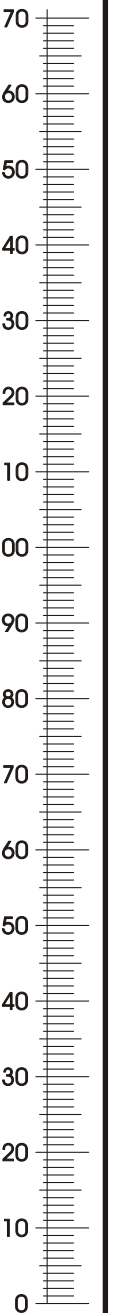
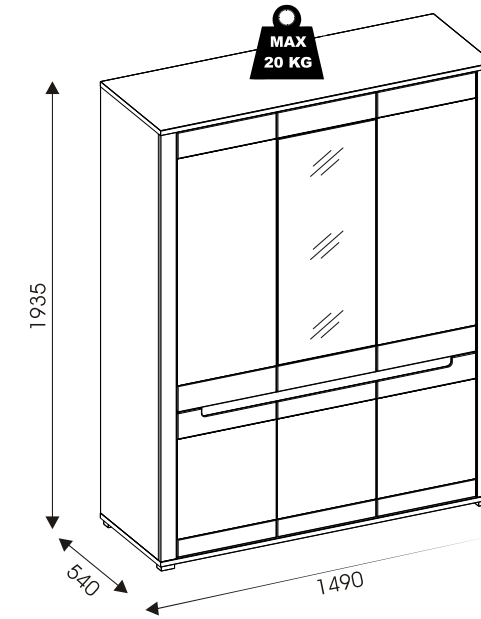
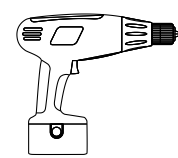
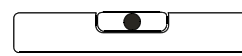
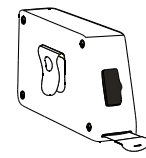
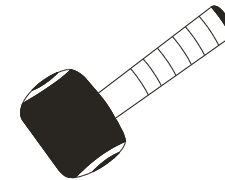
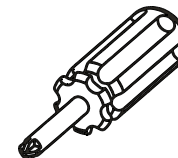
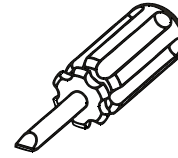
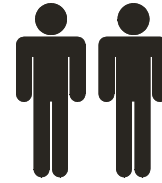
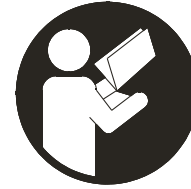


16

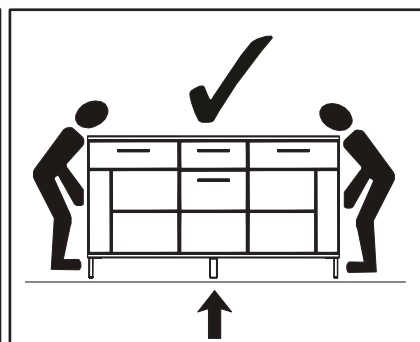
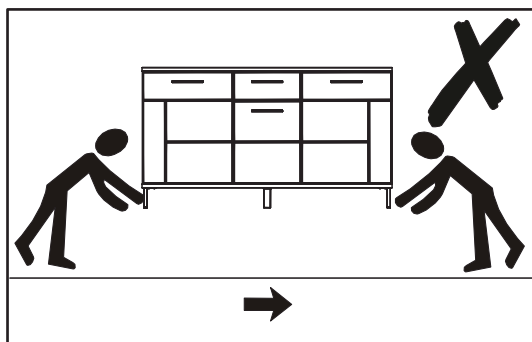
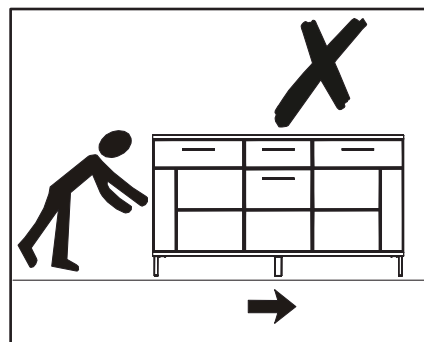
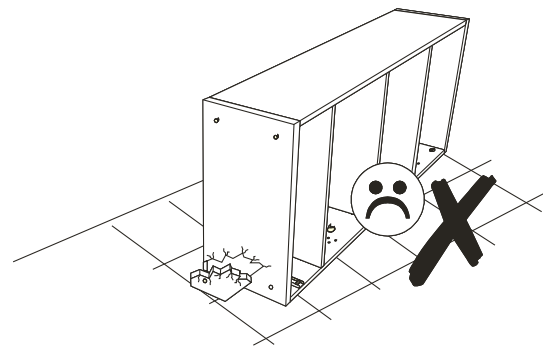
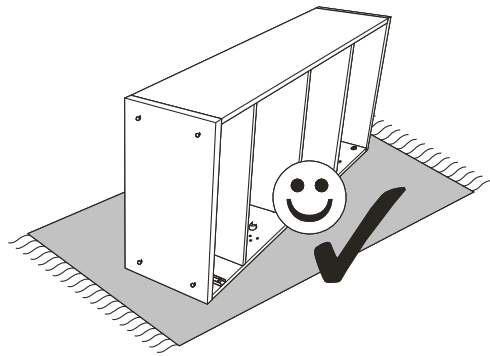
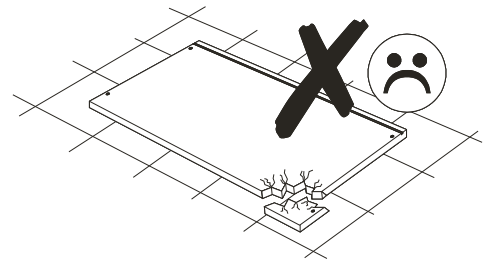
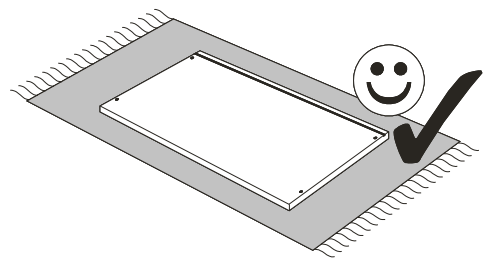
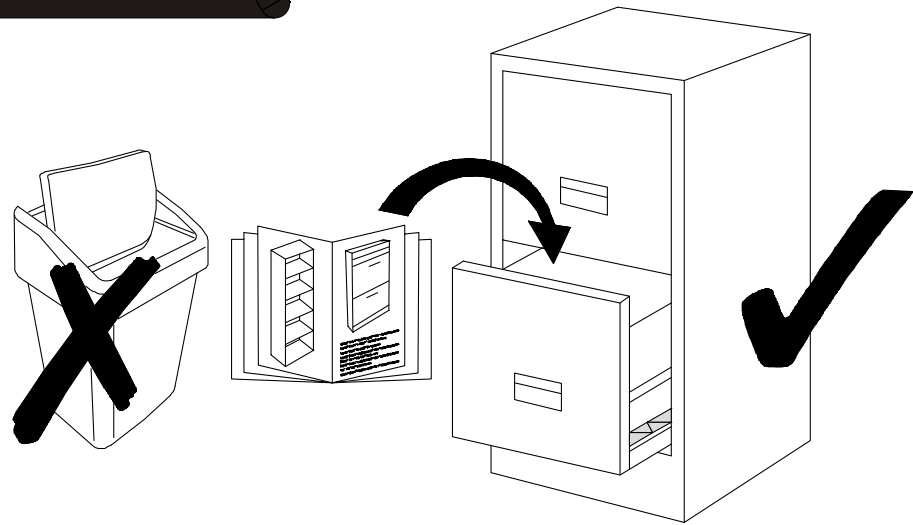


MODELL: Y8

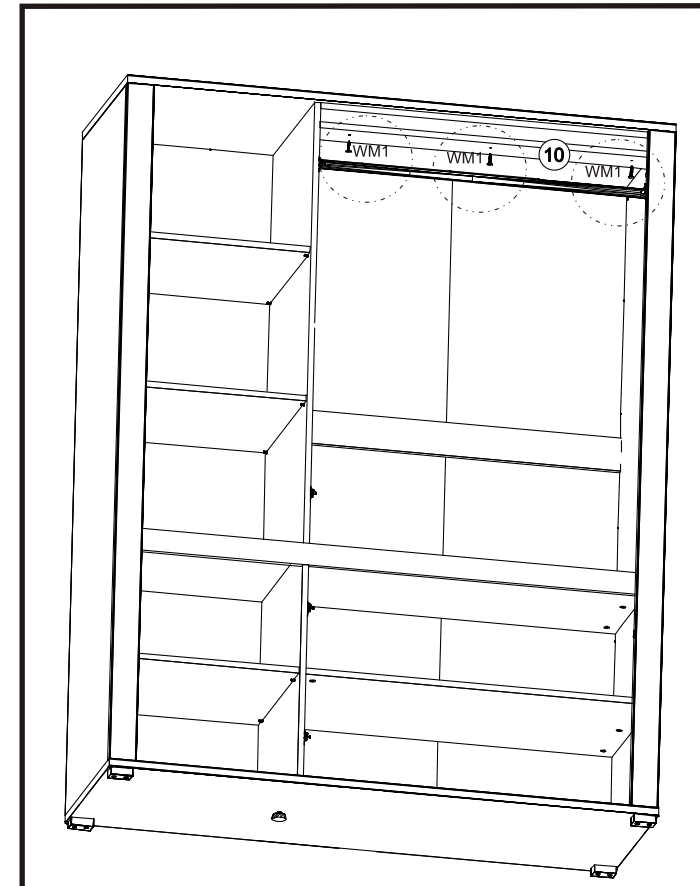
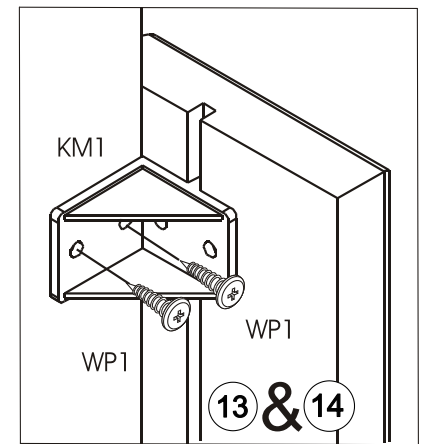
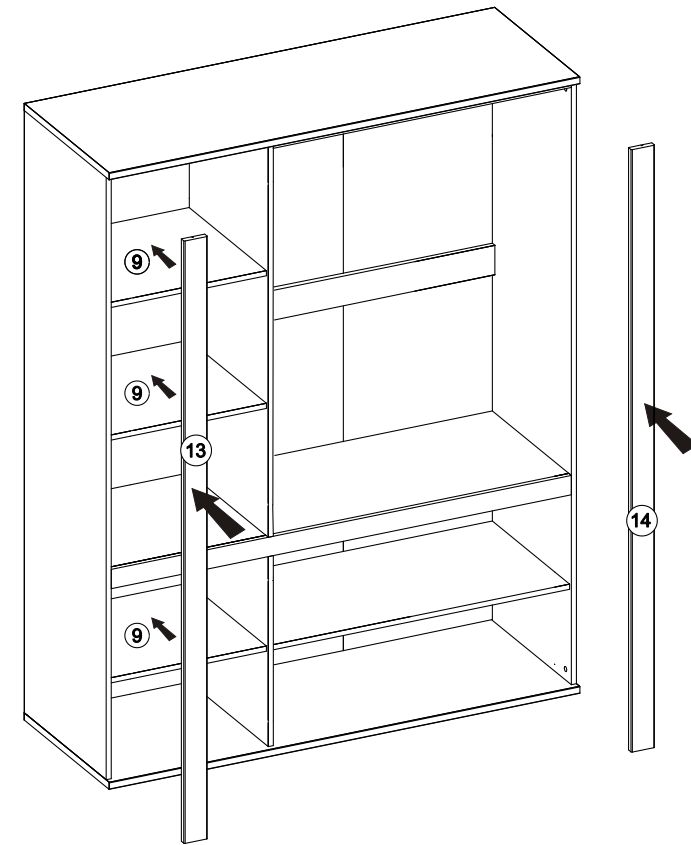


25	1886x513	2/5
24	1886x960	2/5
23	994x442	4/5
22	444x116	4/5
21	996x444	4/5
20	444x116	4/5
19	444x116	5/5
18	444x79	5/5
17	444x116	5/5
16	439x444	5/5
15	444x79	5/5
14	1871x74	2/5
13	1871x74	2/5
12	1459x60	2/5
11	945x92	2/5
10	945x104	2/5
9	497x490	3/5
8	945x490	3/5
7	1459x485	1/5
6	1221x501	3/5
5	634x501	3/5
4	1871x519	2/5
3	1871x519	2/5
2	1492x540	1/5
1	1492x540	1/5

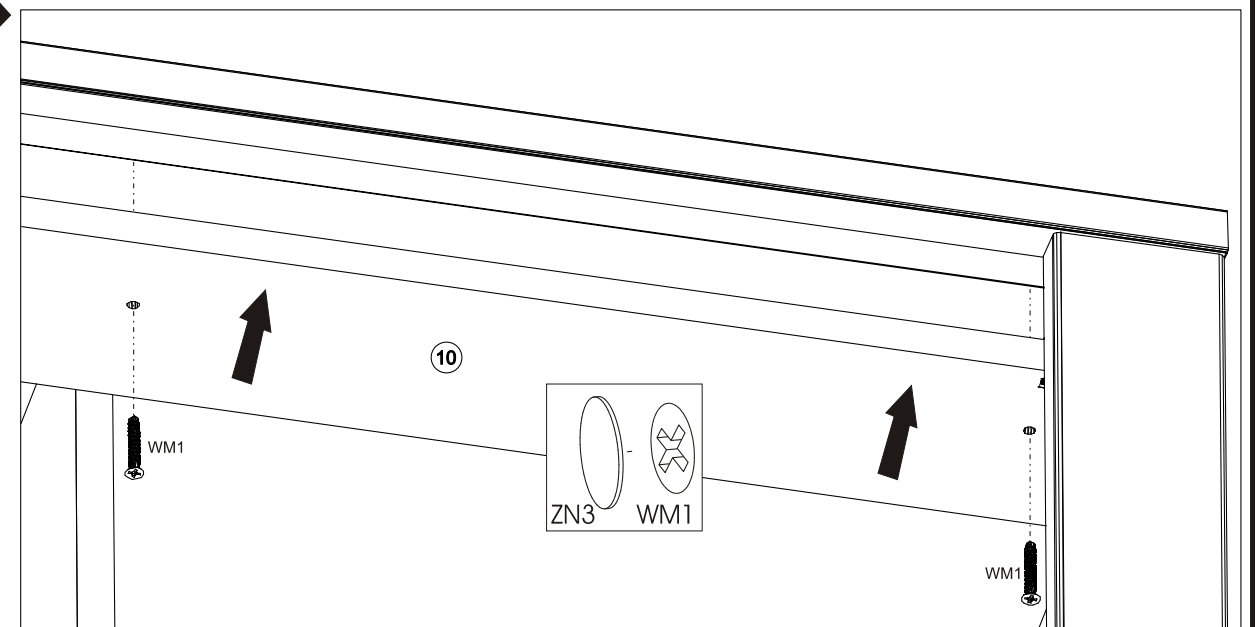
2x	Z10	1x	L1	2x	WS1	1x	N2	17x	G1	5x	Z9
3x	WP2	3x	WM1	12x	B1	20x	ST1	40x	WP1	20x	W9
4x13	WP2	4x30	WM1					3.5x16	WP1	3x20	W9
3x	ZN1	30x	K1	15x	PR2	10x	Z90	72x	M1	72x	T1
#20/863	ZN1	8x30	K1	H=2	PR2			#15/15	M1	DU232T	T1
										10x	KM1
										8x	BS1
										8x	E8
										5x20	E8



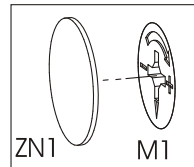
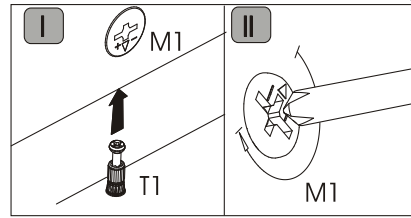
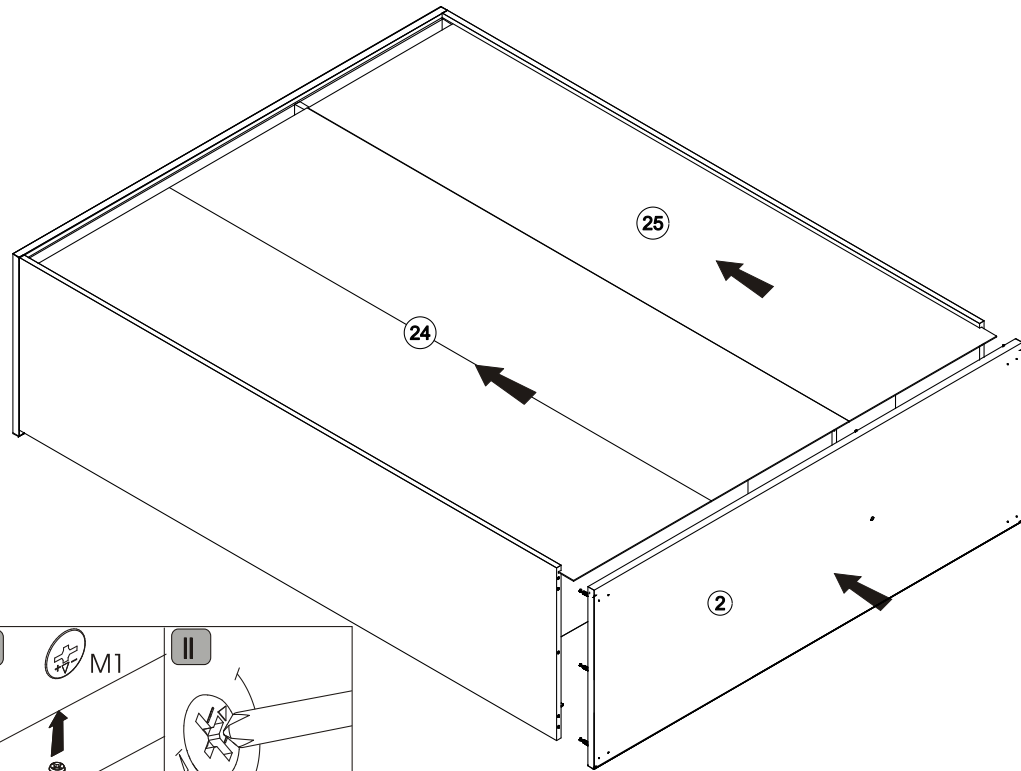
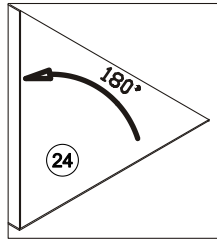
14



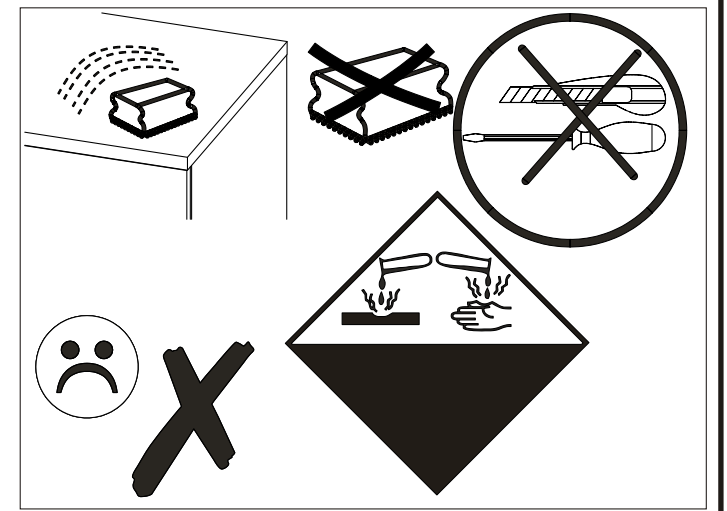
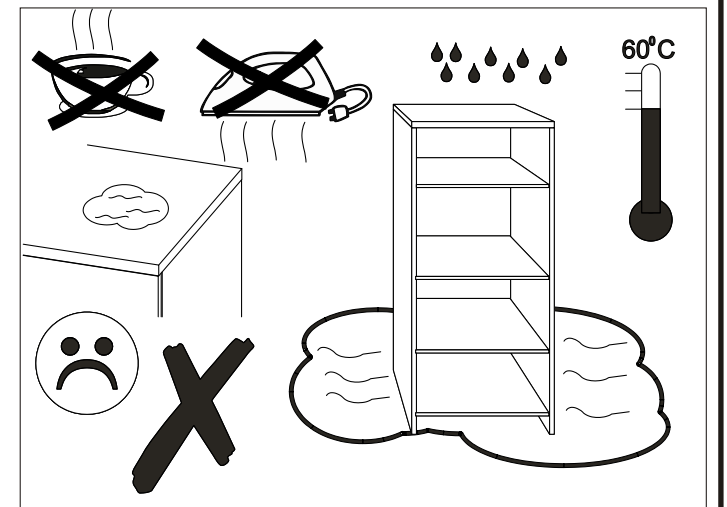
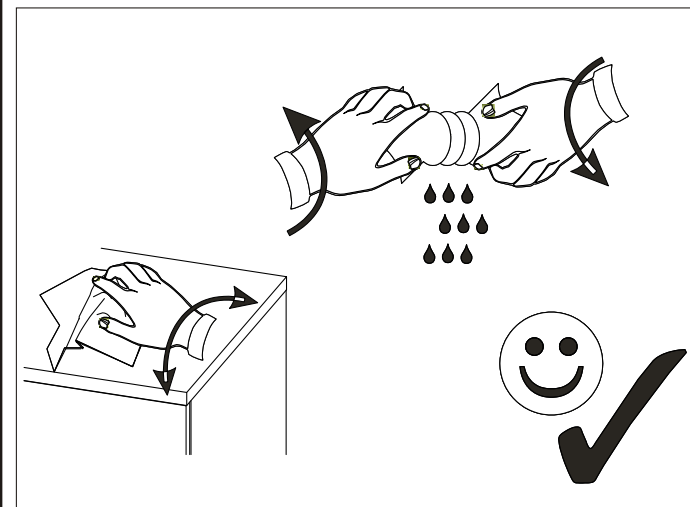
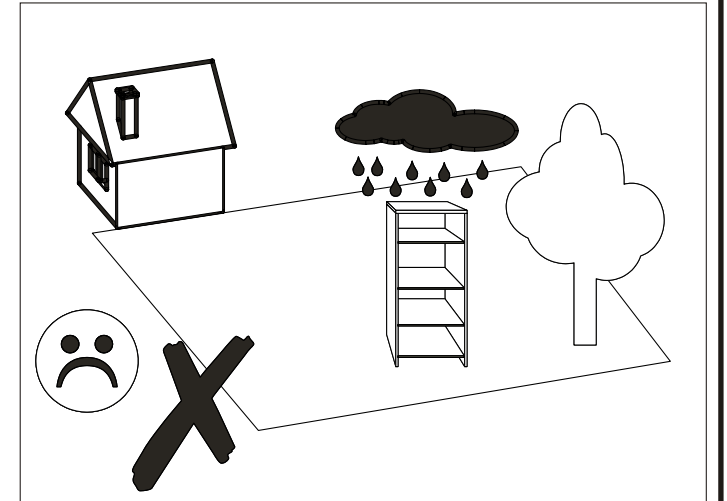
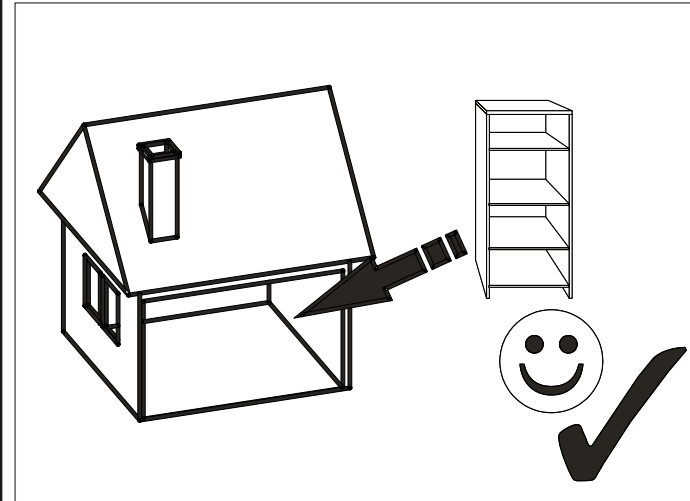
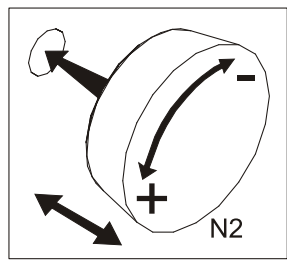
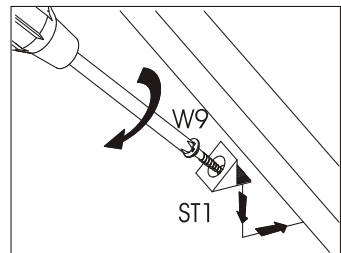
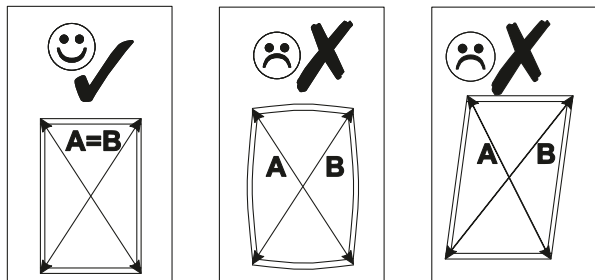
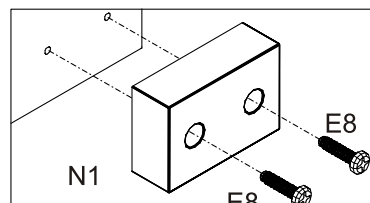
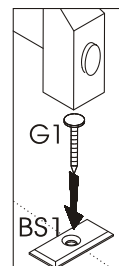
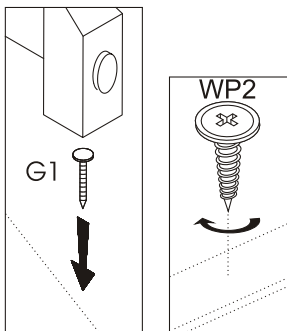
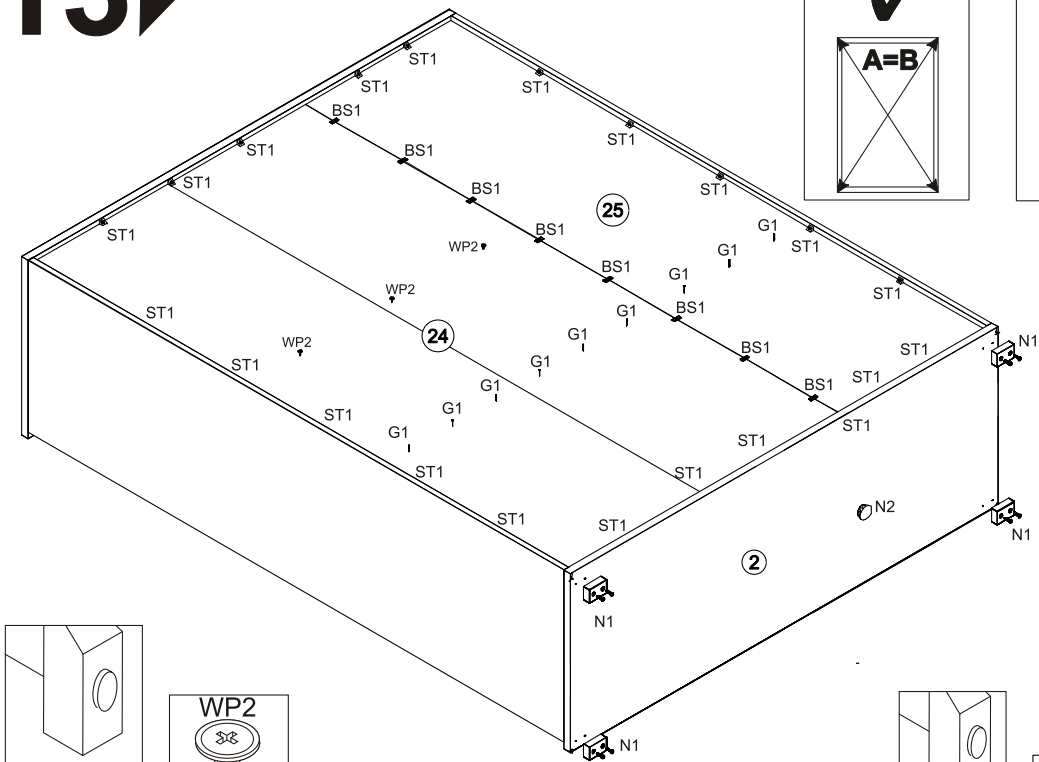
15

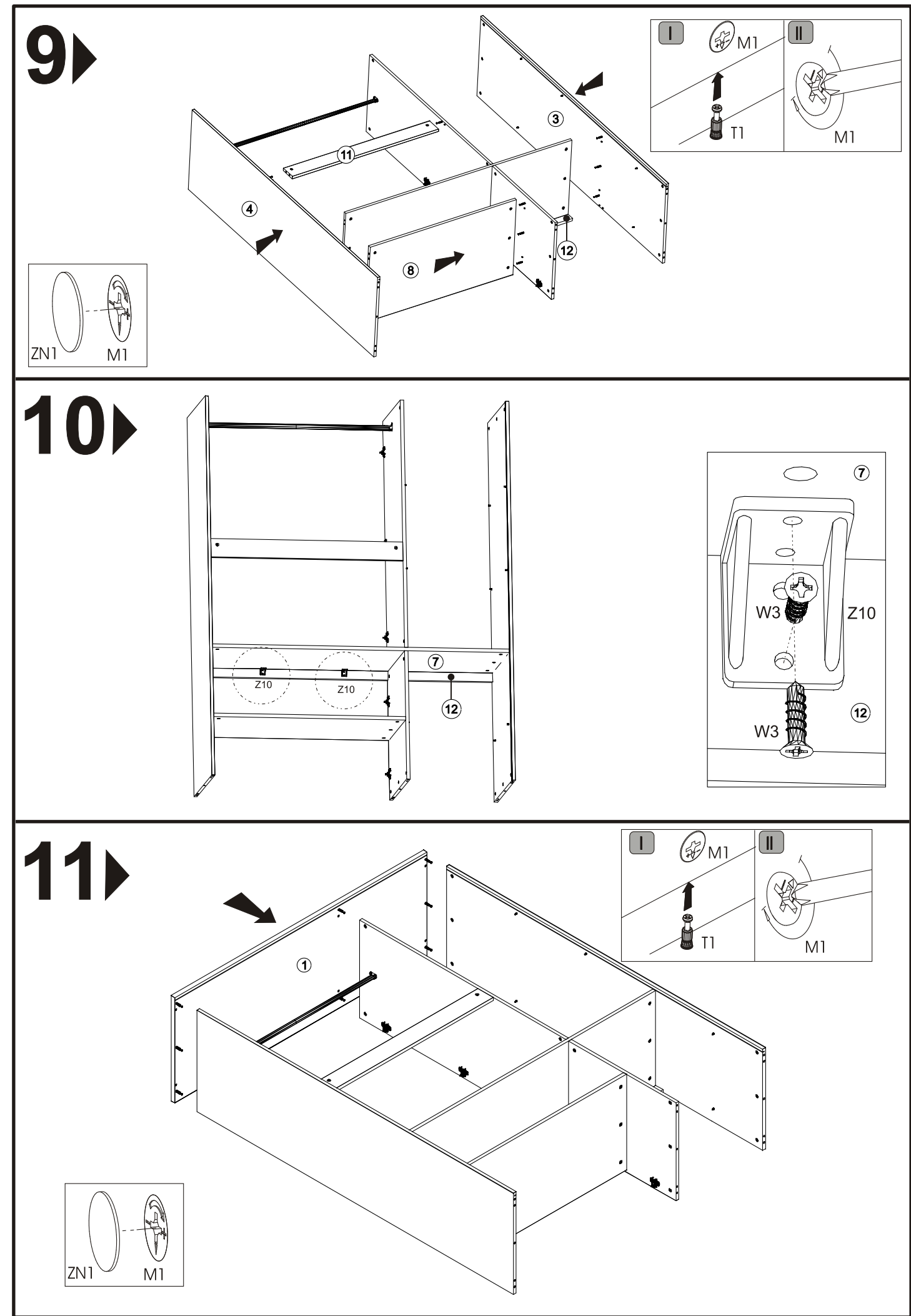
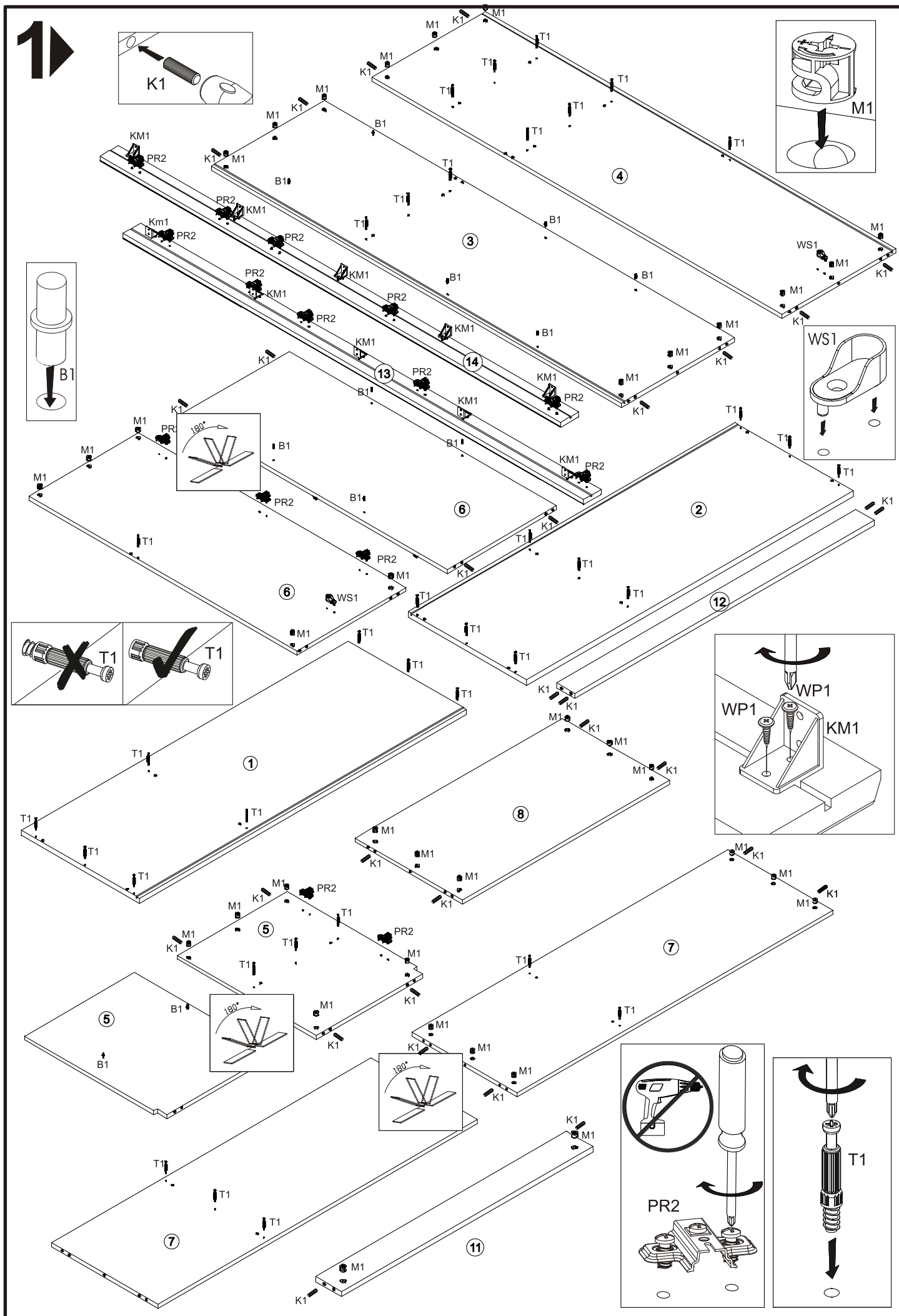


12

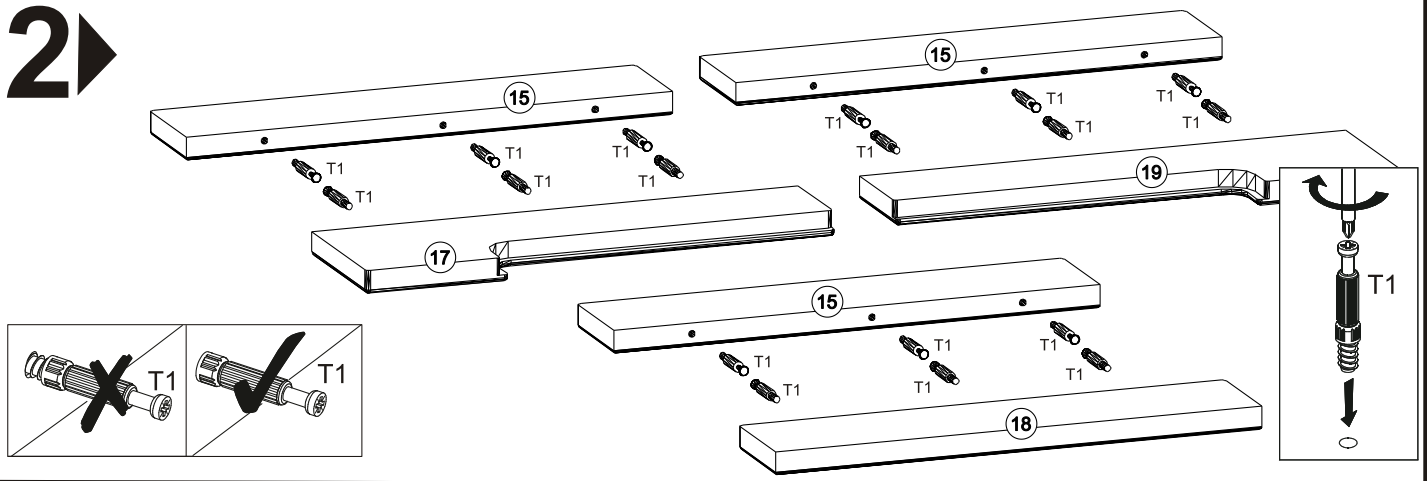


13

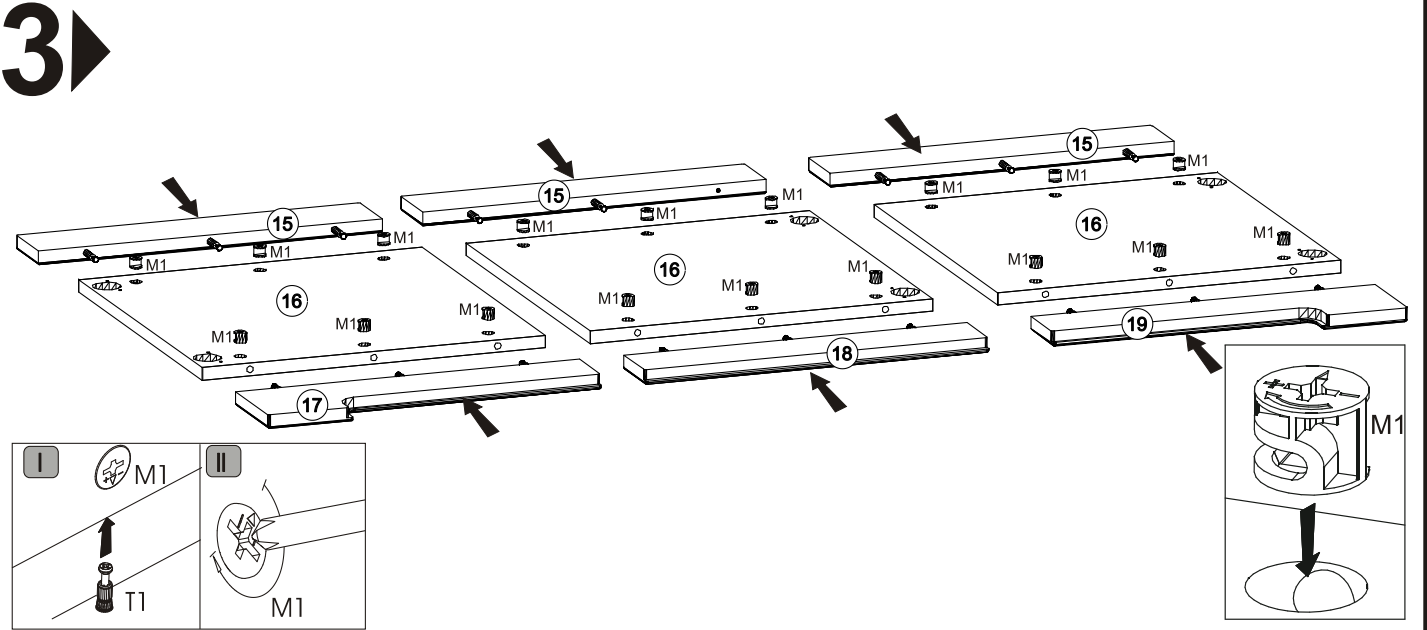




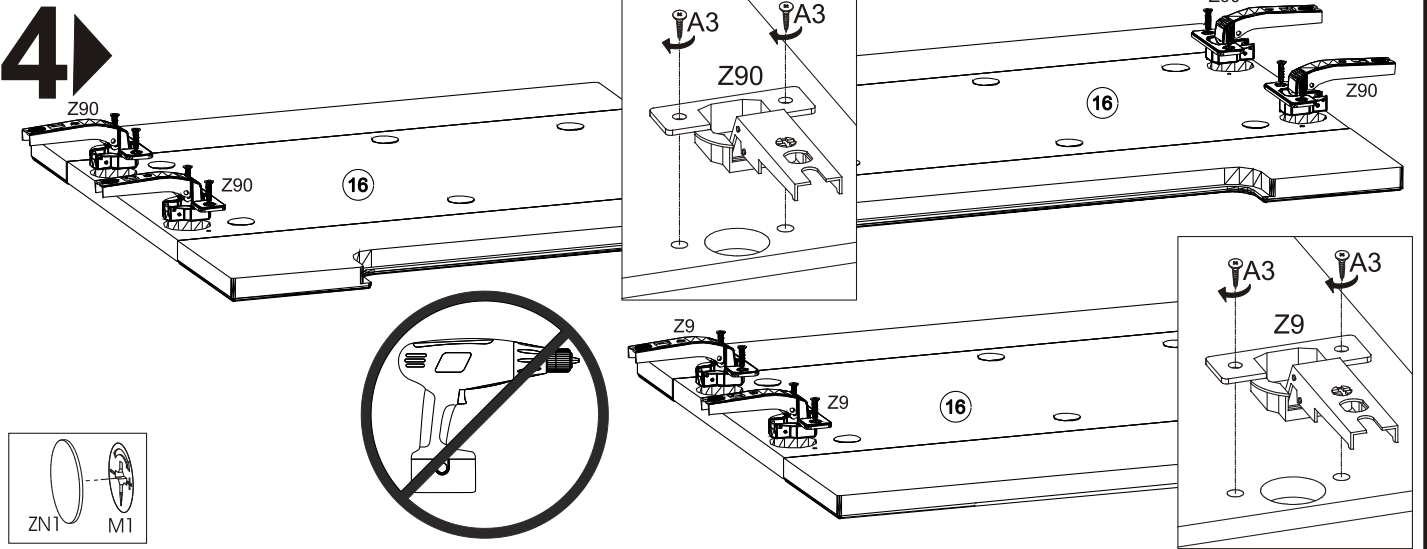
2



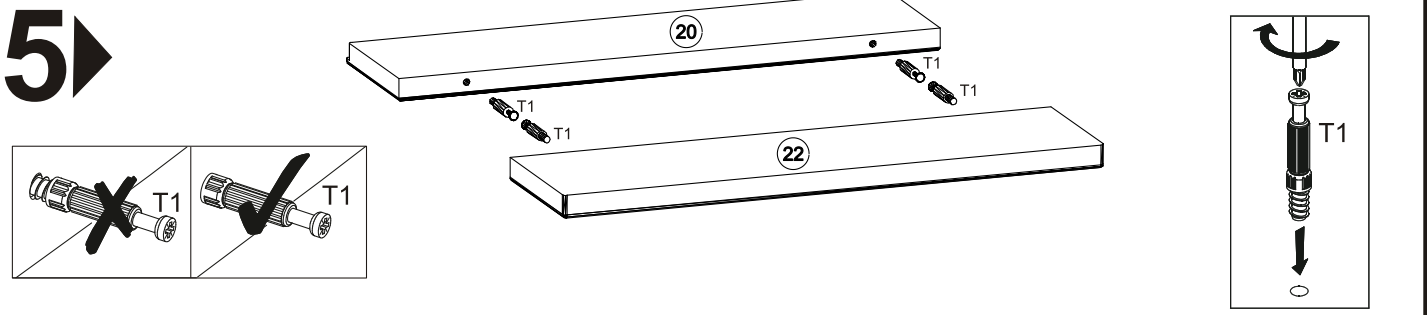
3



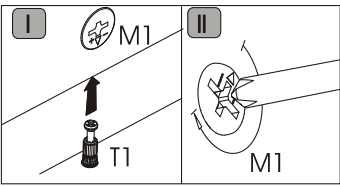
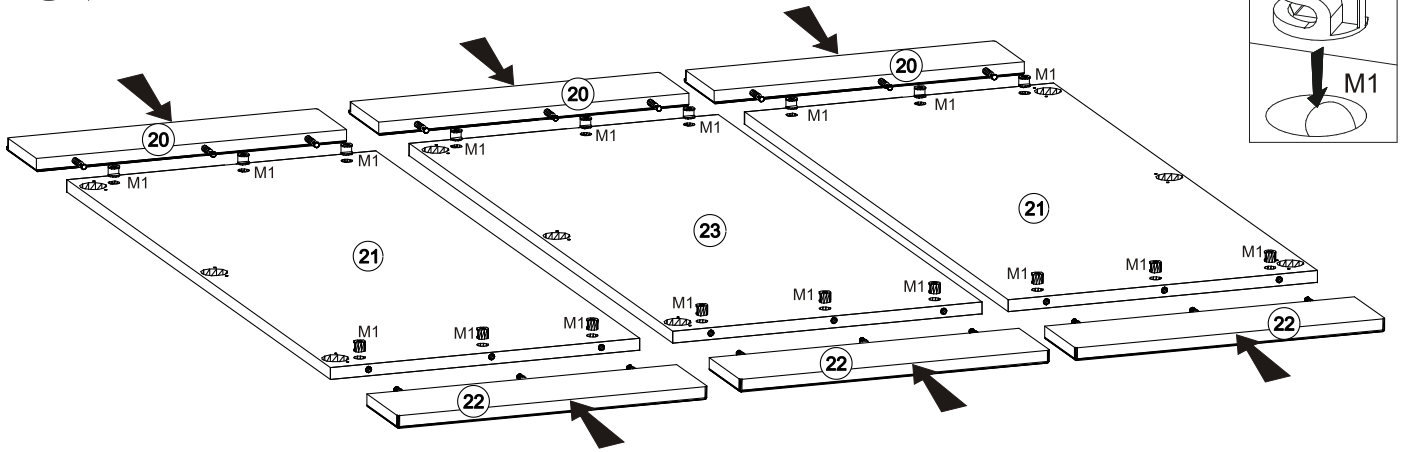
4



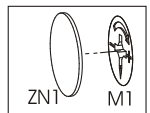
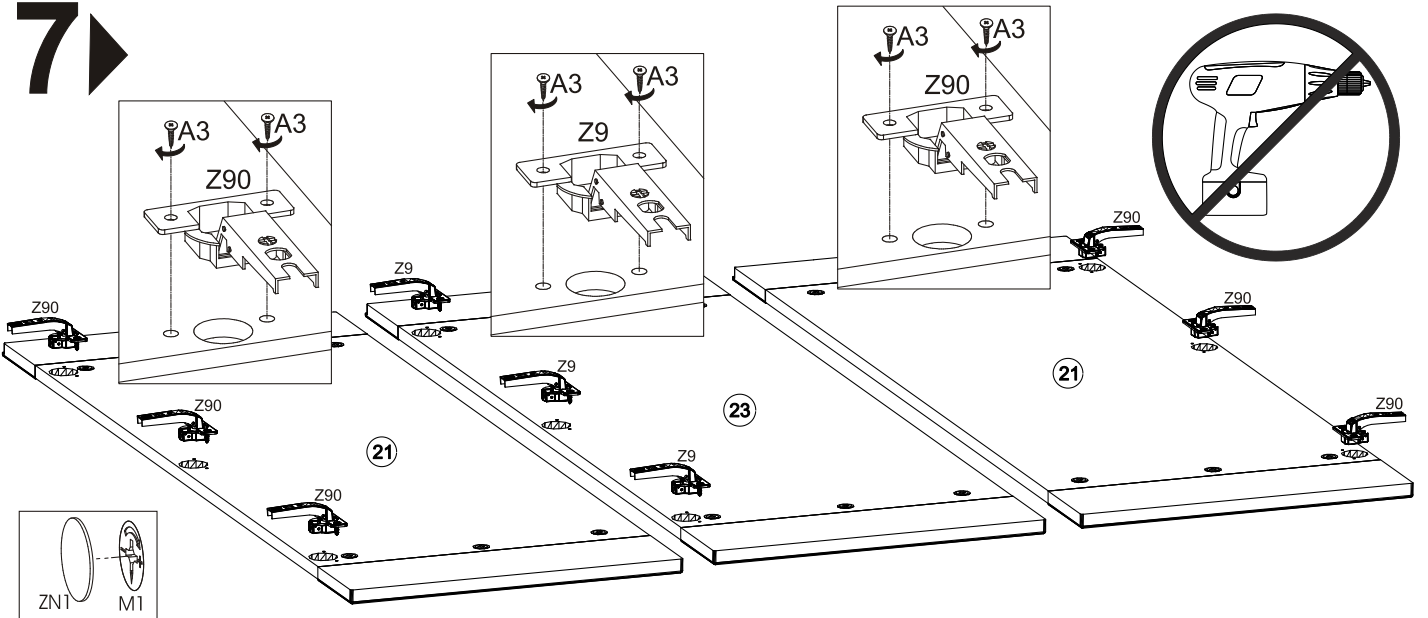
5



6



7



8

