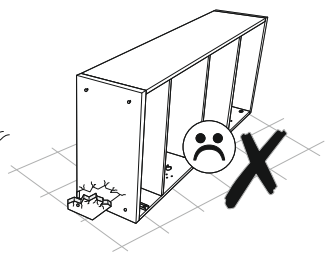
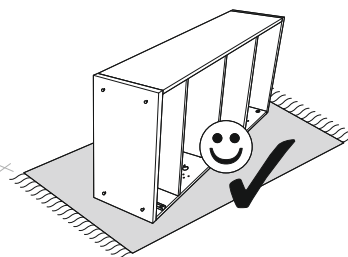
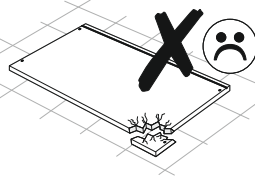
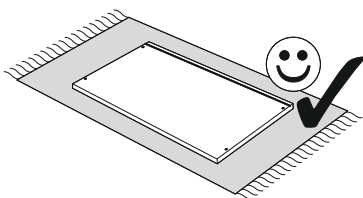
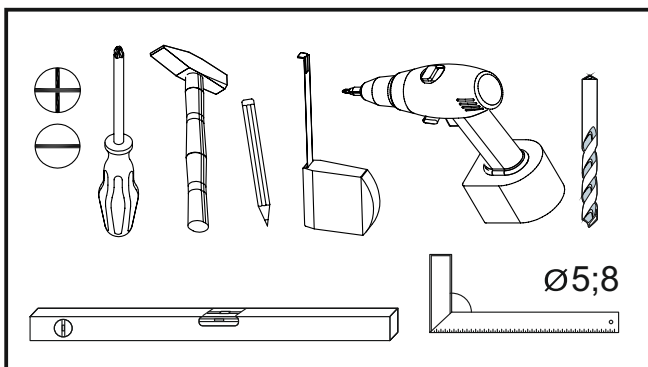
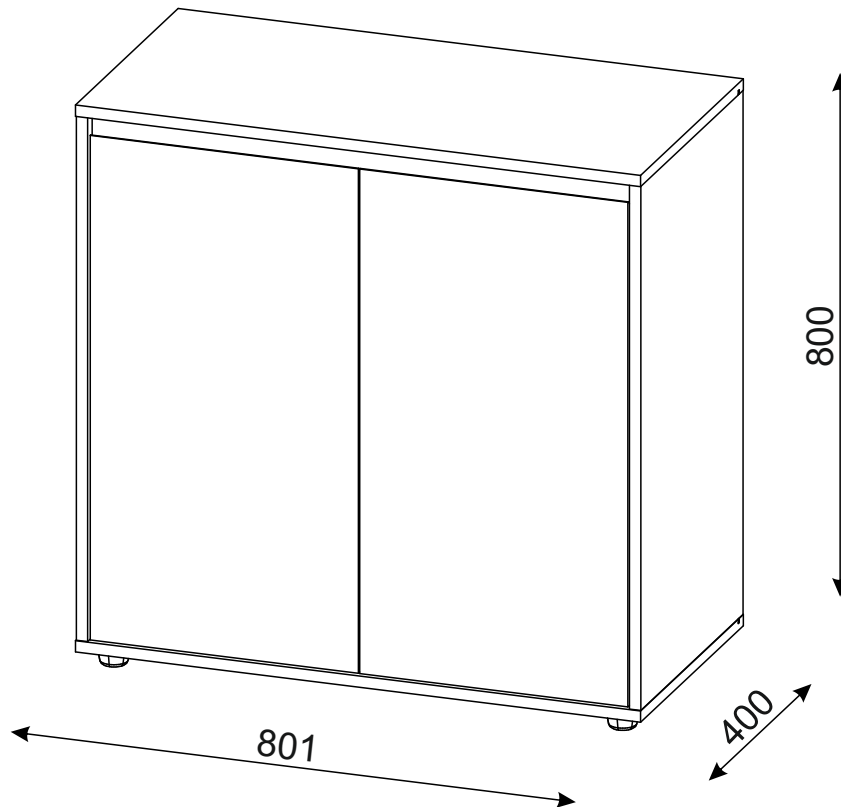
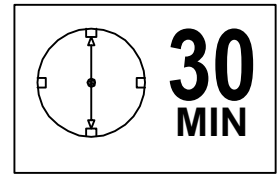
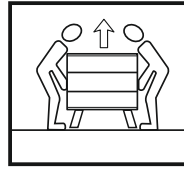
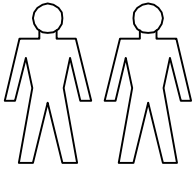









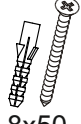


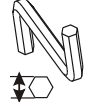


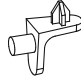



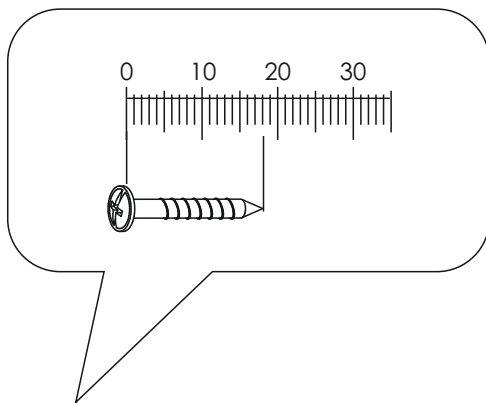


Kommode NITRO SOFT 800/2D




Kommode NITRO SOFT 800/2D

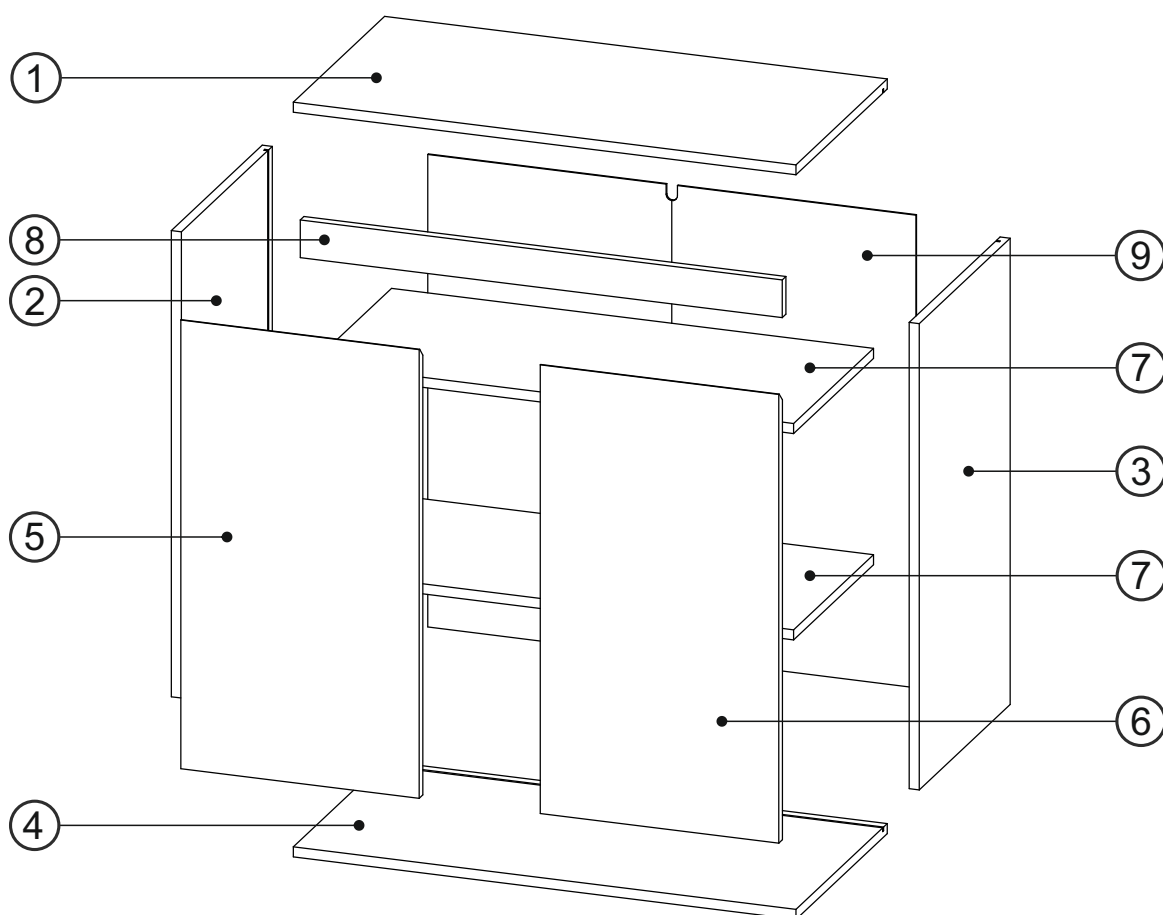
A0	B1	C0	C2	C7	D0	D5	D12	D21	E0	J4
										
ø8x30	ø7x50			16mm	3x15	3,5x16	4x25	5x13	8x50	
x12	x4	x4	x4	x4	x16	x8	x4	x1	x1	x4
J6	K	M1	P0	Q3	Q4	T17	U0			
										
	4mm									
x4	x1	x16	x1	x8	x2	x4	x2			



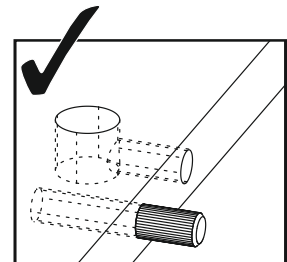
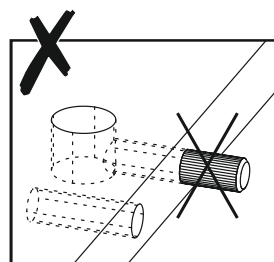
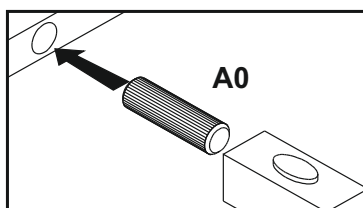
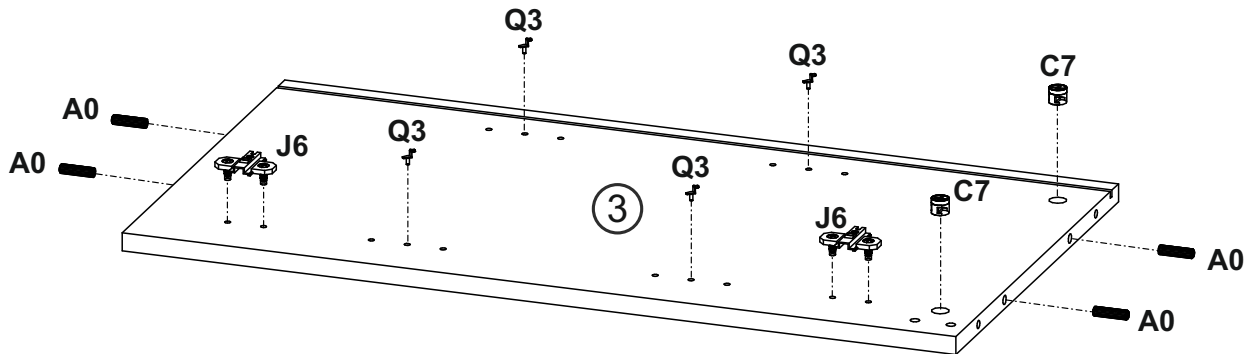
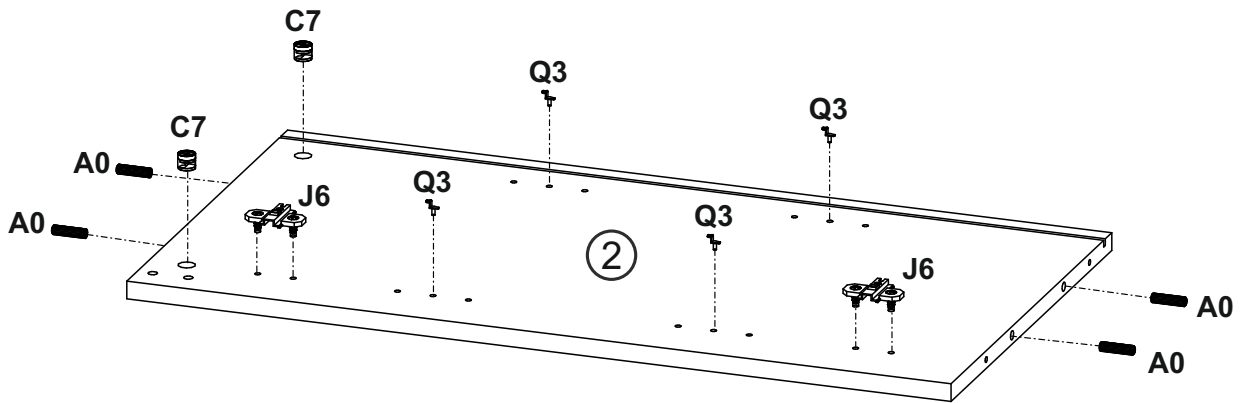
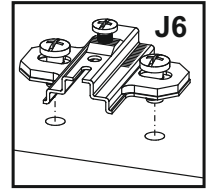
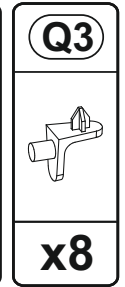
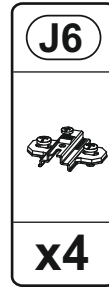
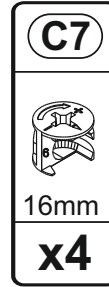
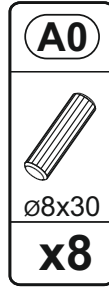
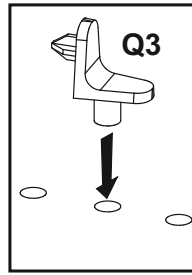
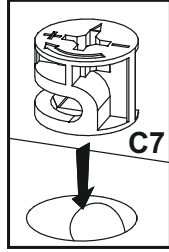
Kommode NITRO SOFT 800/2D

①	801	400	16	x1	1/1
②	743	398	16	x1	1/1
③	743	398	16	x1	1/1
④	801	400	16	x1	1/1
⑤	715	380	16	x1	1/1
⑥	715	380	16	x1	1/1

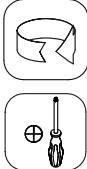
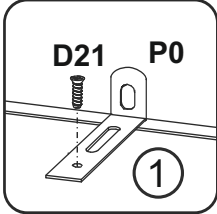






⑦	768	350	16	x2	1/1
⑧	768	60	16	x1	1/1
⑨	753	778	3	x1	1/1
					1/1

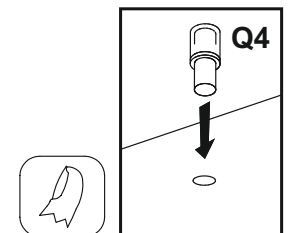
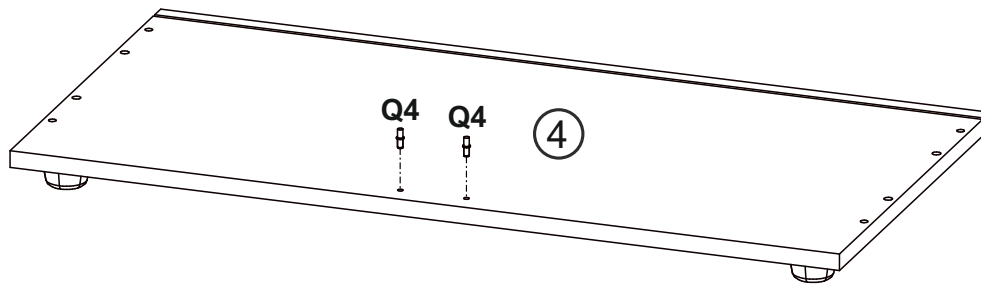
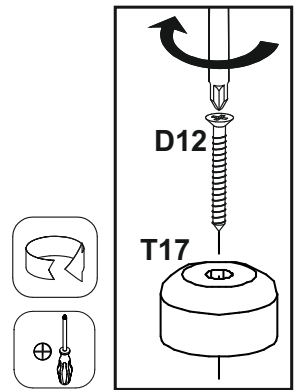
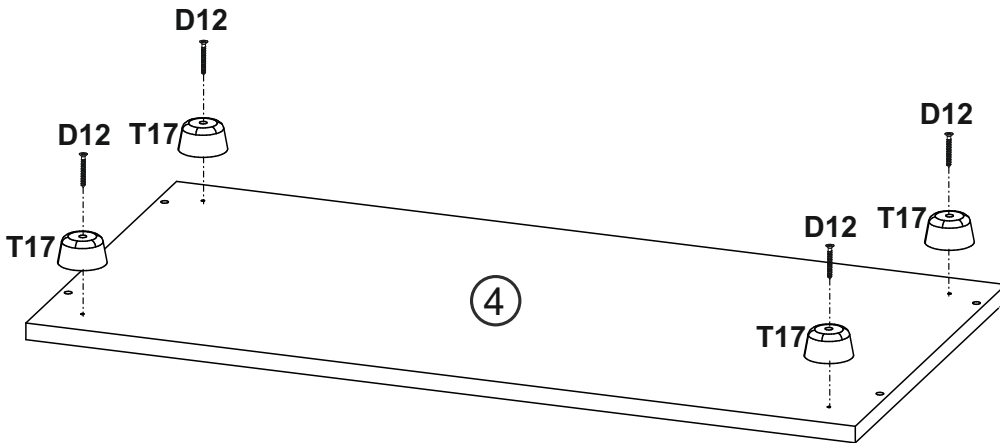
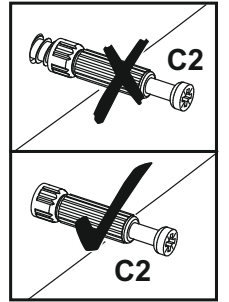
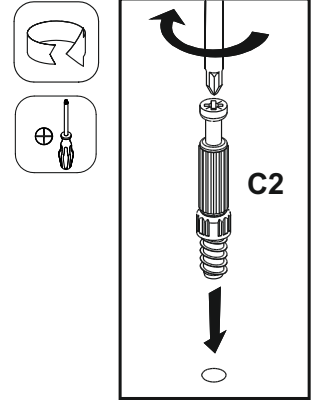
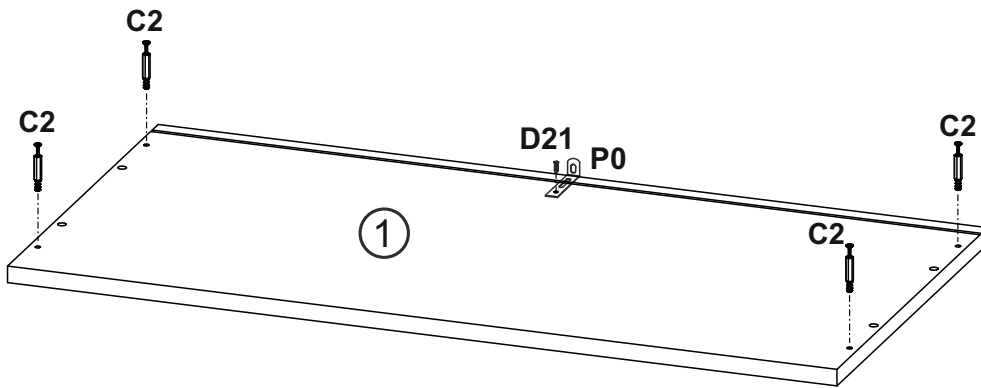


1

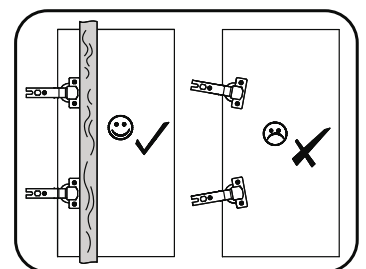
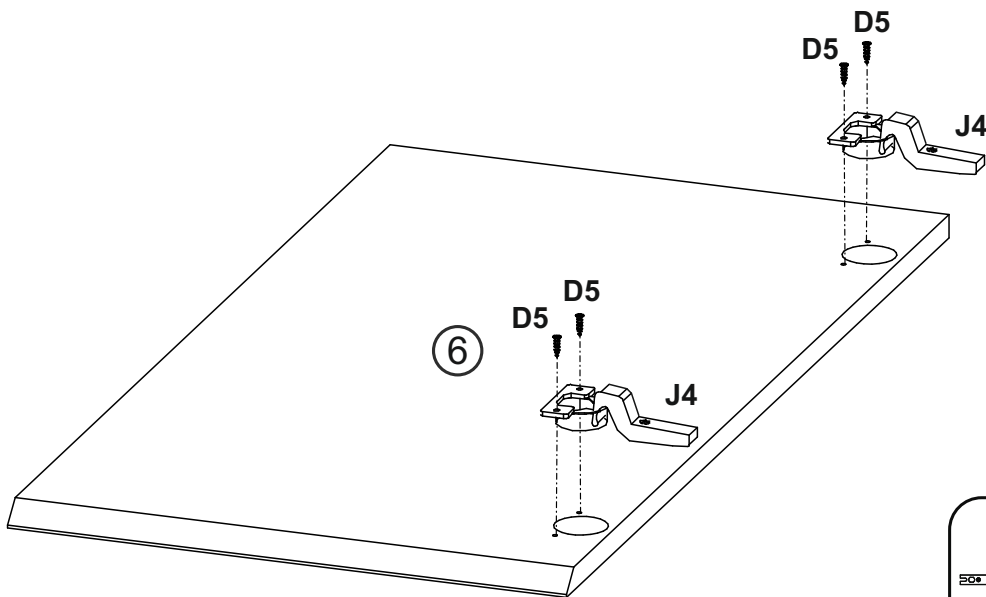
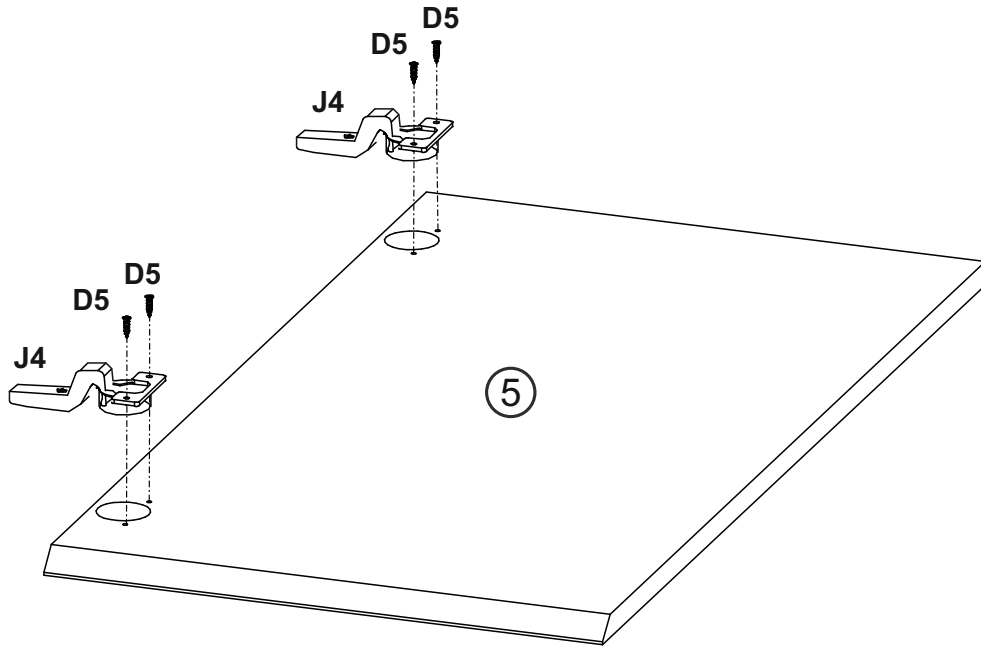
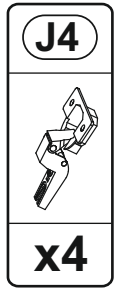
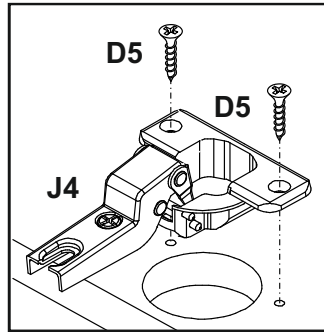
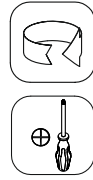


2

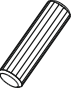
 	C2  x4	D12  4x25 x4	D21  5x13 x1	P0  x1	Q4  x2	T17  x4
---------------------------------------------------------------------------------------------------------------------------------------------------------------------	-------------------------------------------------------------------------------------------------------------	----------------------------------------------------------------------------------------------------------------------	------------------------------------------------------------------------------------------------------------------------	---------------------------------------------------------------------------------------------------------------	---------------------------------------------------------------------------------------------------------------	----------------------------------------------------------------------------------------------------------------

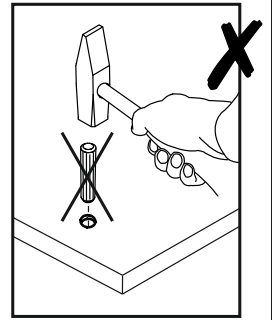
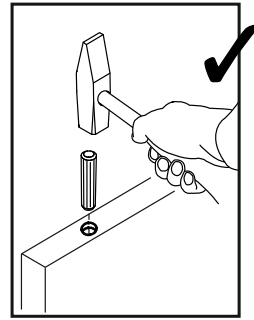
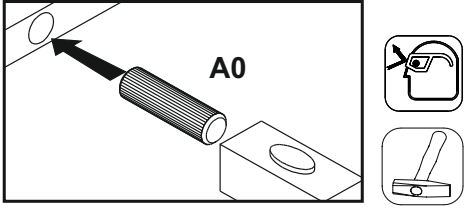
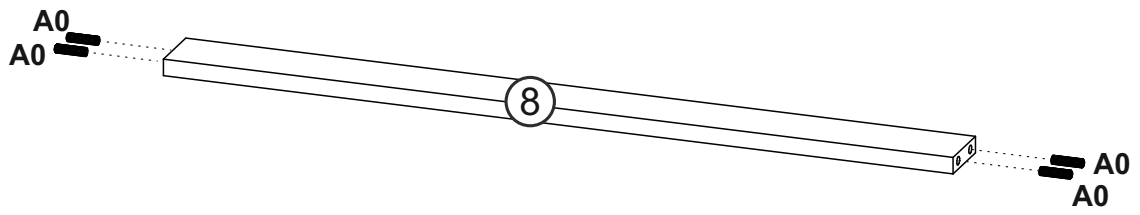


3

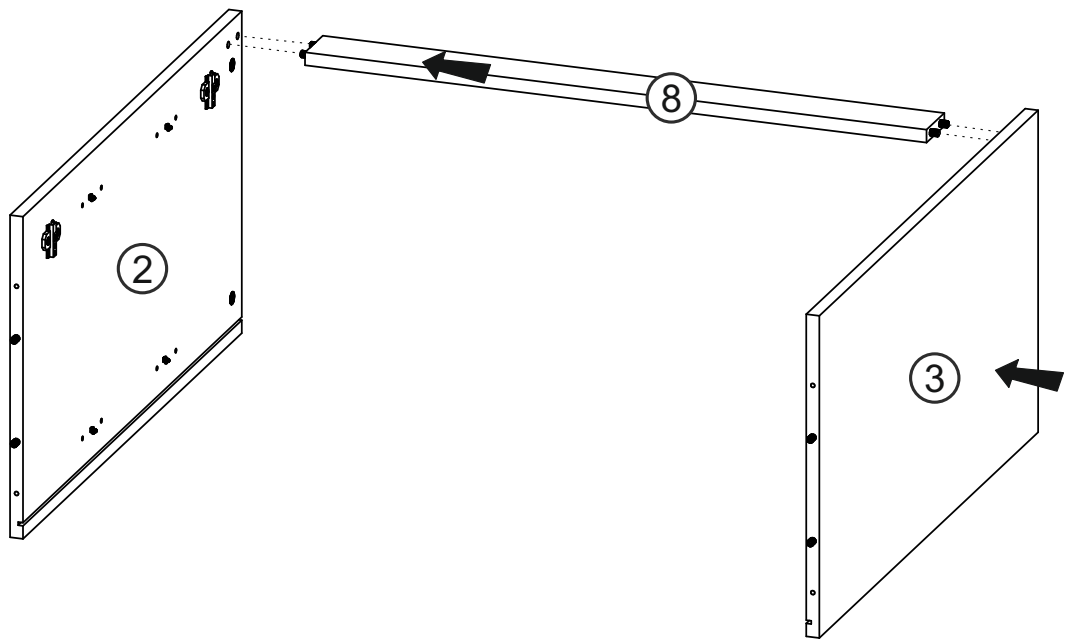


4

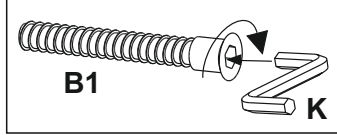
A0

ø8x30
x4





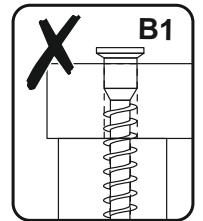
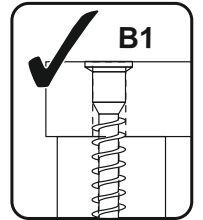
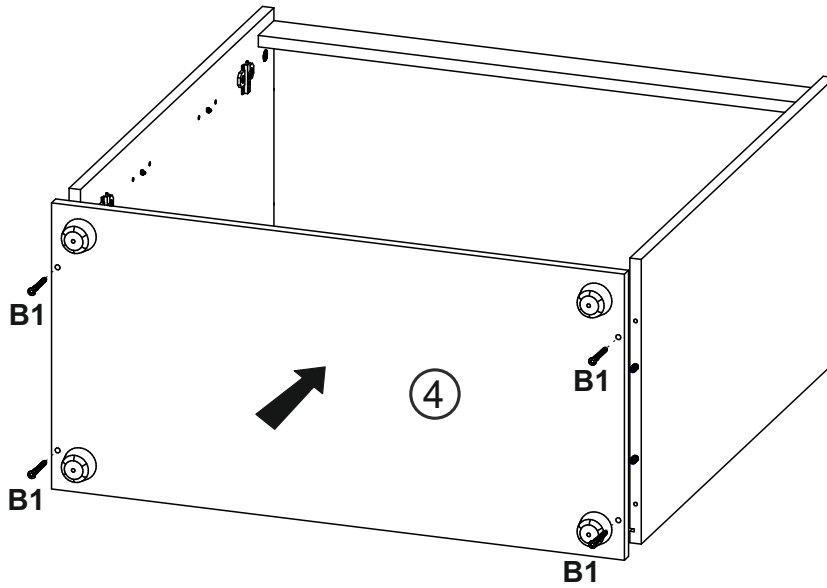
5



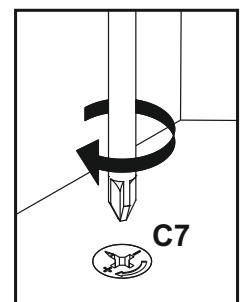
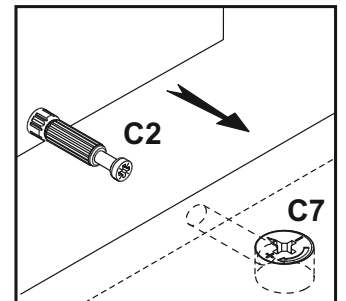
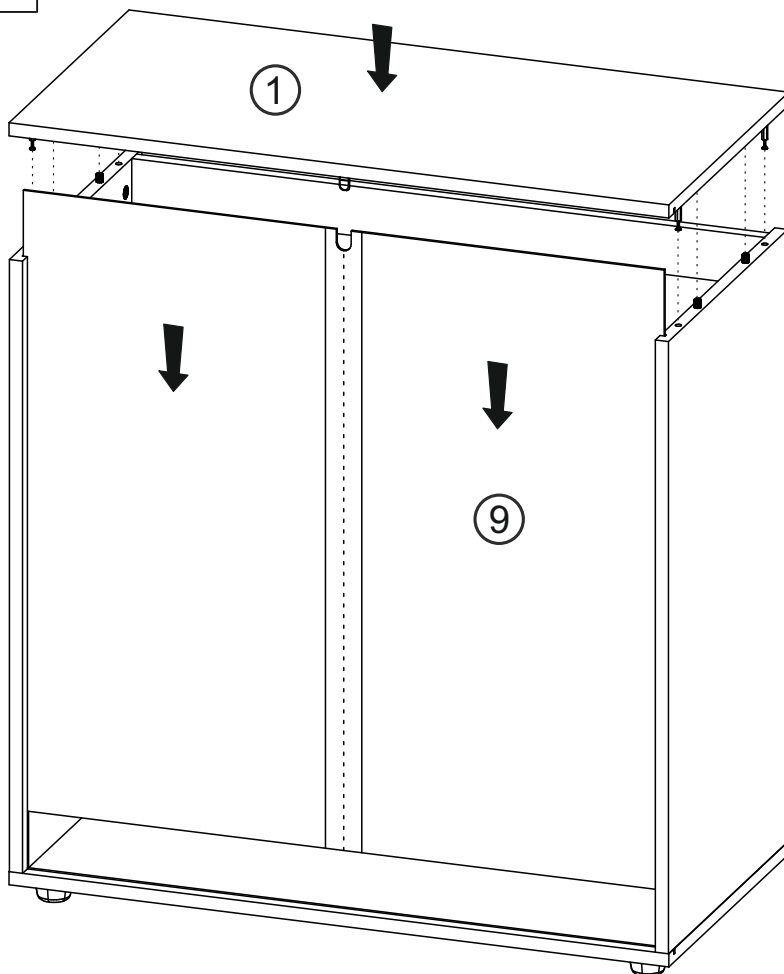
6





B1	K
	
ø7x50	4mm
x4	x1

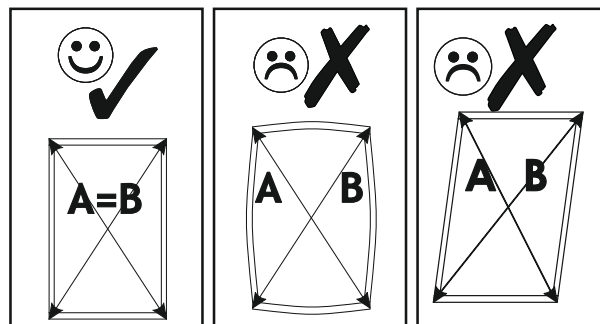
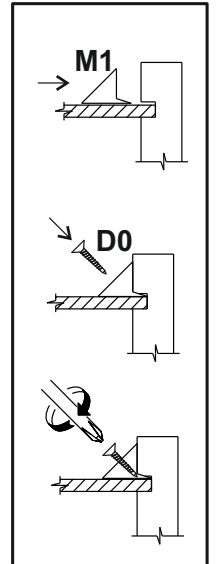
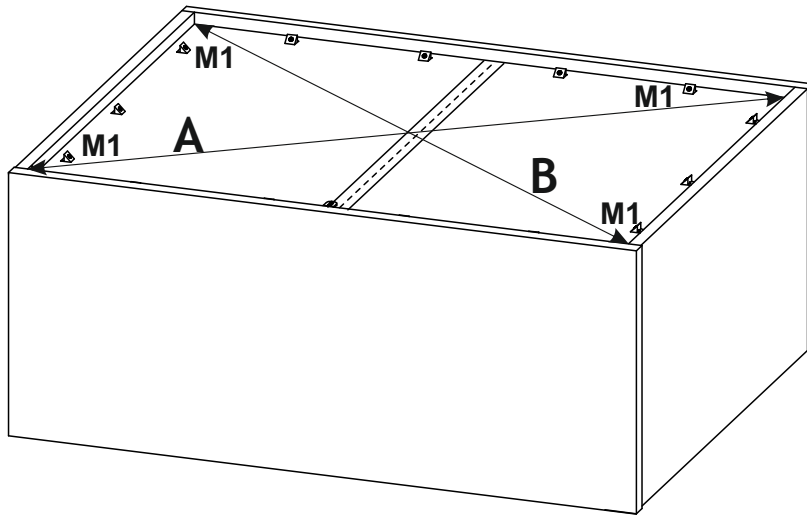


7

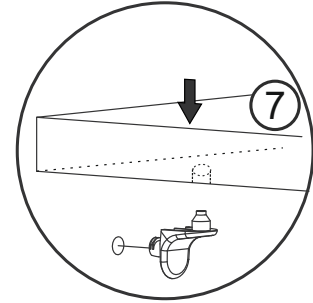
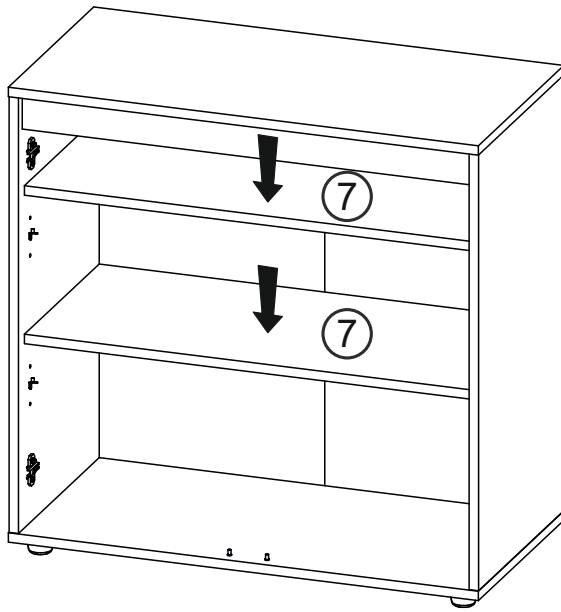


8

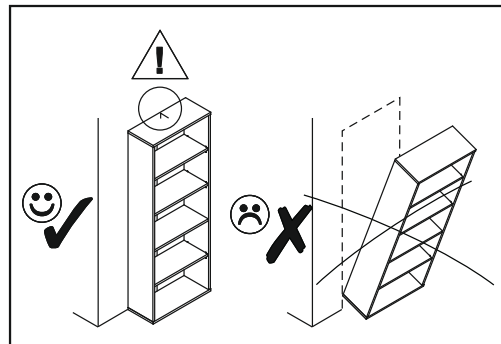
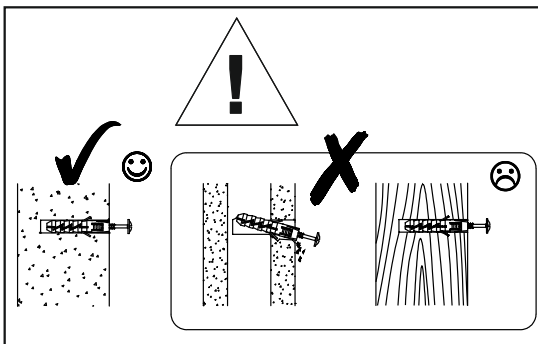
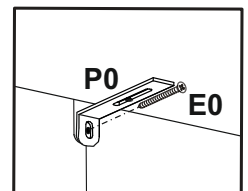
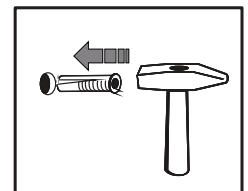
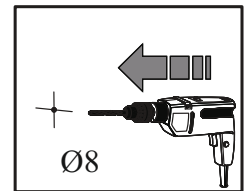
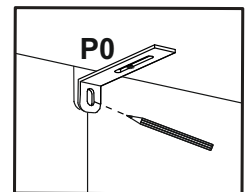
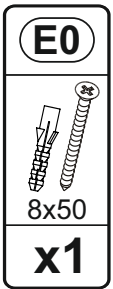
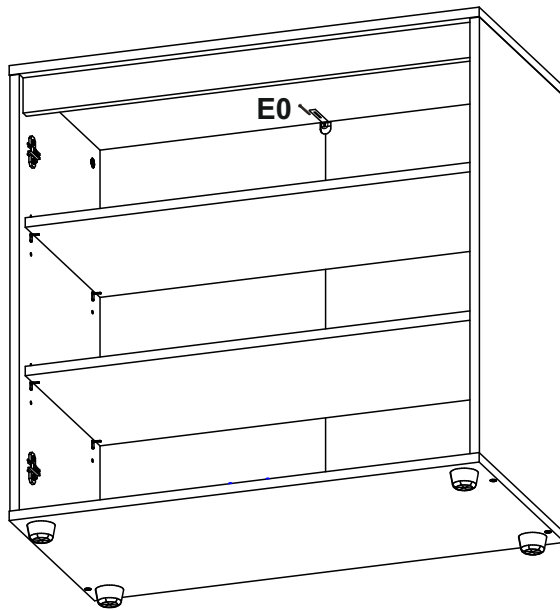
D0	M1
	
3x15	
x16	x16




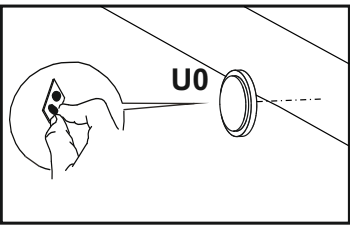

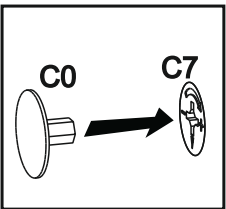


9



10



11

				C0	U0
					
				x4	x2

