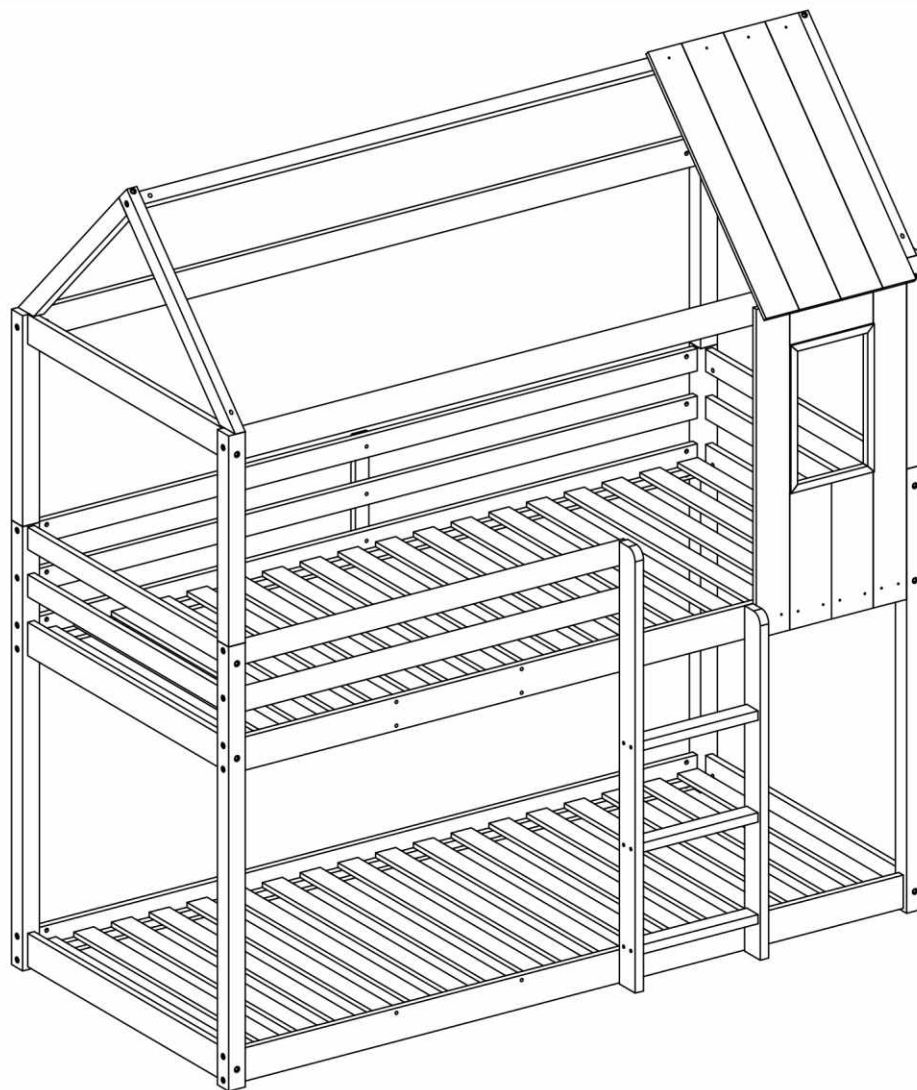






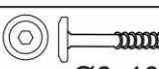

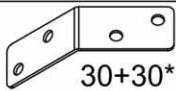



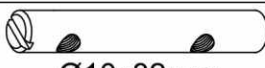
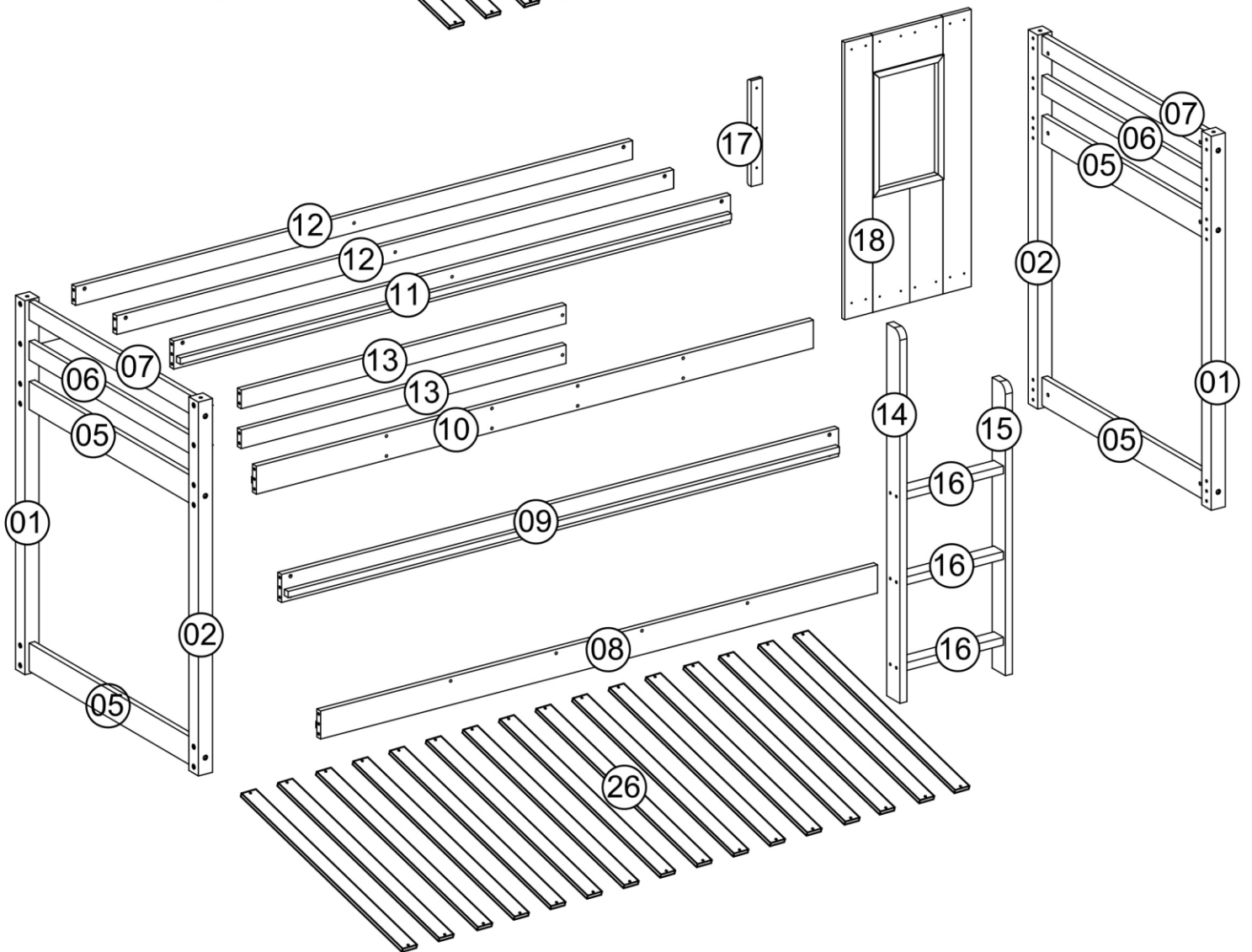
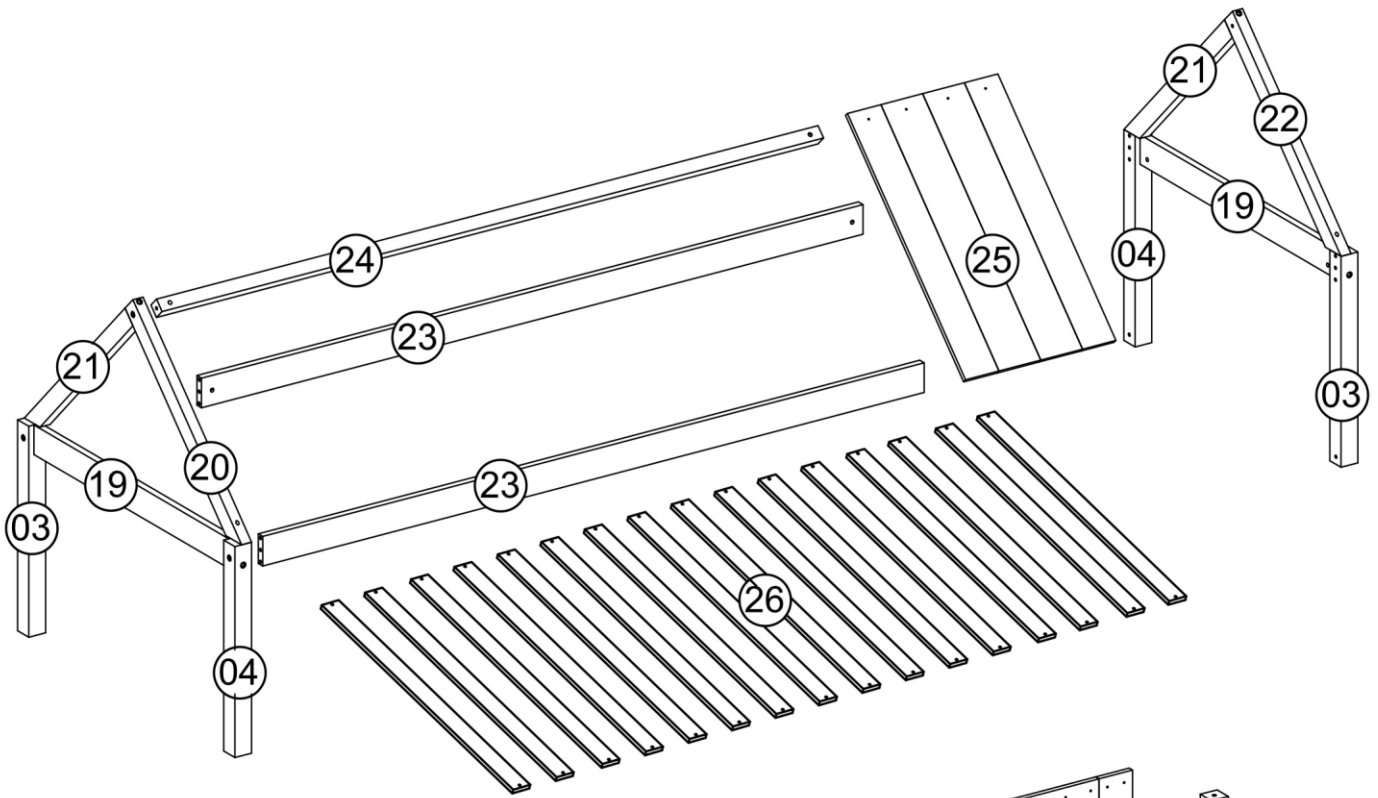


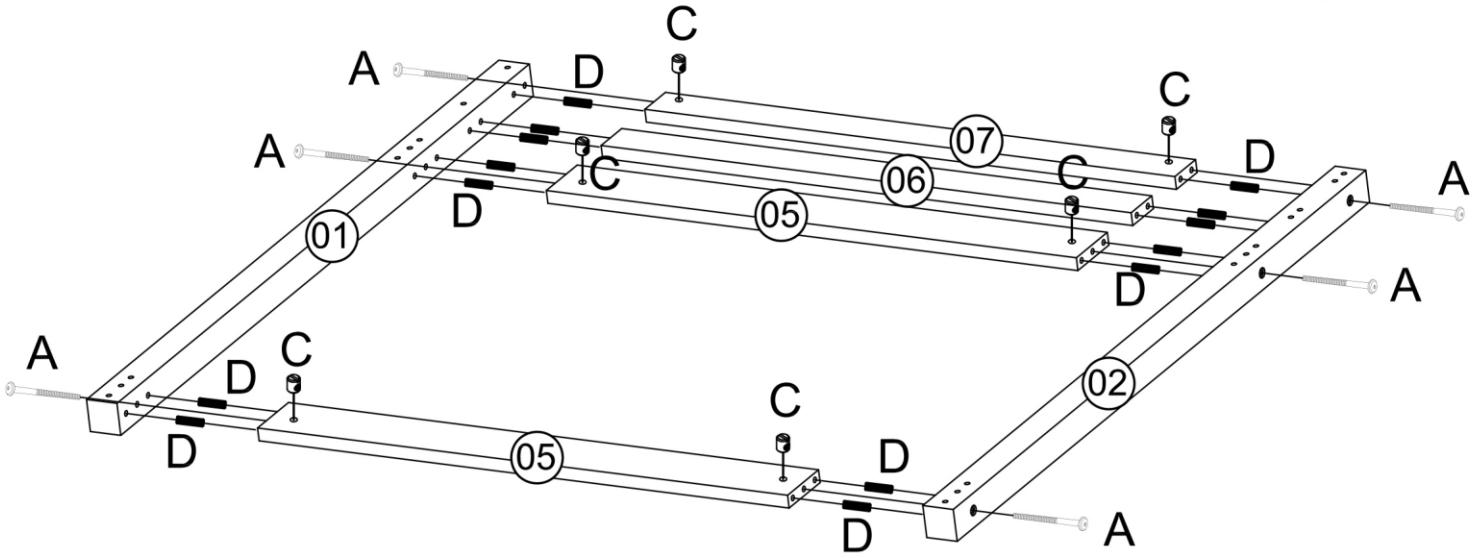
ATRISA






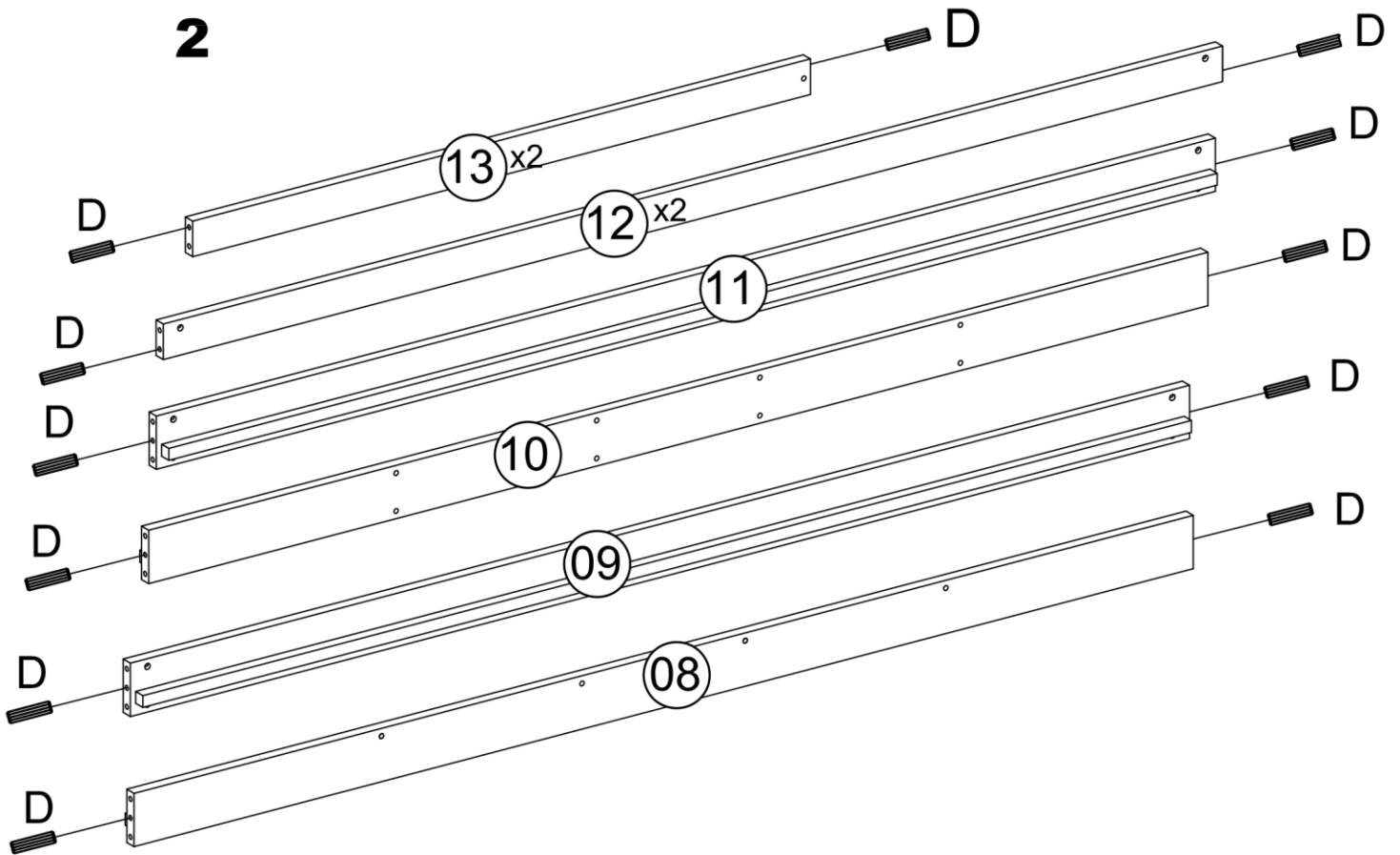
A	 M6x90mm	42
B	 M6x30mm	03
C	 M6	44
D	 $\Phi 8 \times 30 \text{mm}$	60
E	 $\Phi 7 \times 60 \text{mm}$	20
F	 $\Phi 4 \text{mm}$	12
G	 $\Phi 6 \times 100 \text{mm}$	06


H	 M6x70mm	02
I	 30+30*16mm	02
J	 $\Phi 4 \times 30 \text{mm}$	84
K	 $\Phi 4 \times 16 \text{mm}$	04
L	 M6x40mm	05
M	 $\text{\O} 10 \times 82 \text{mm}$	04



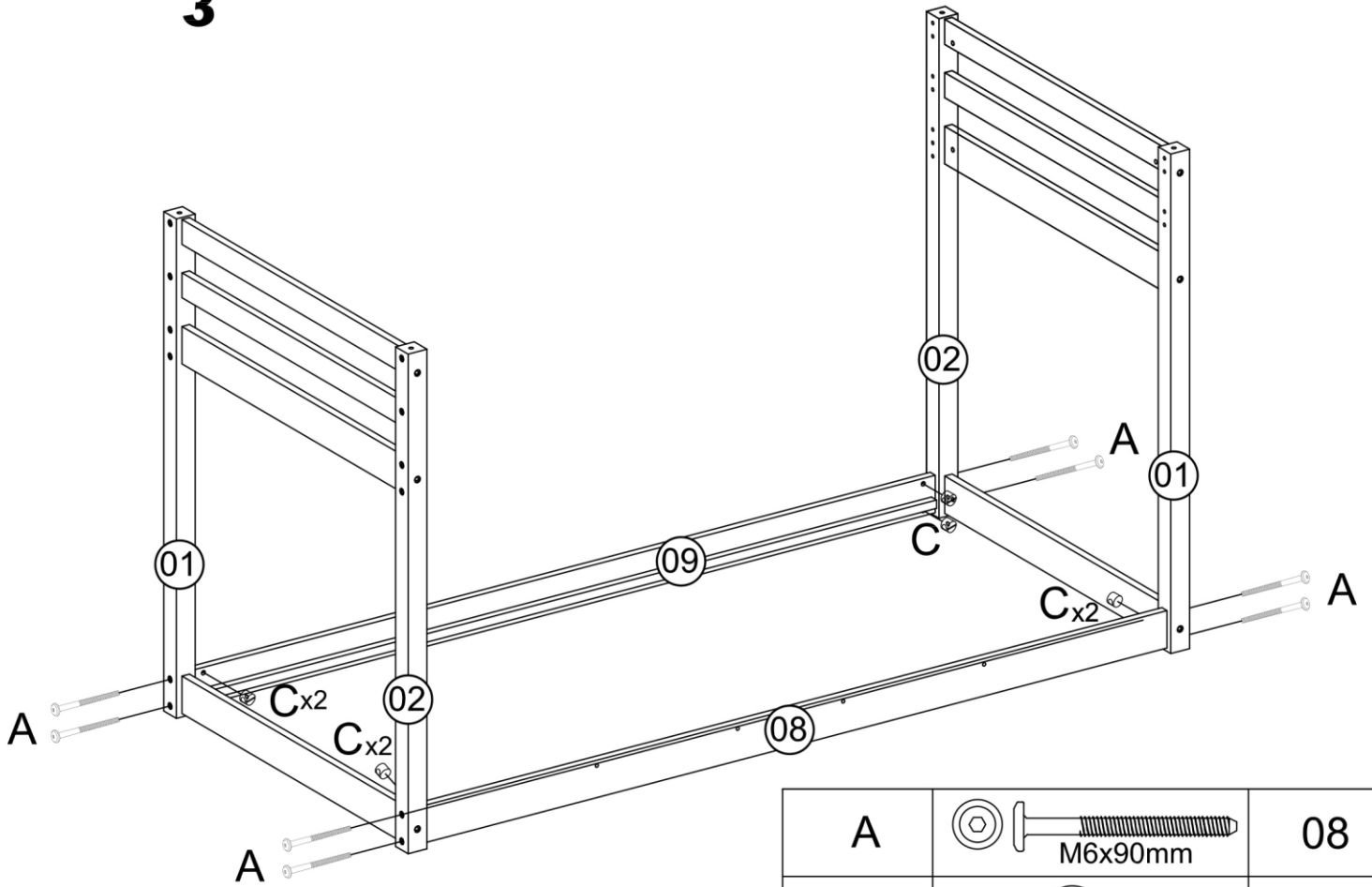
1**x2**



A	 M6x90mm	12
C	 M6	12
D	 $\Phi 8 \times 30 \text{mm}$	28

2

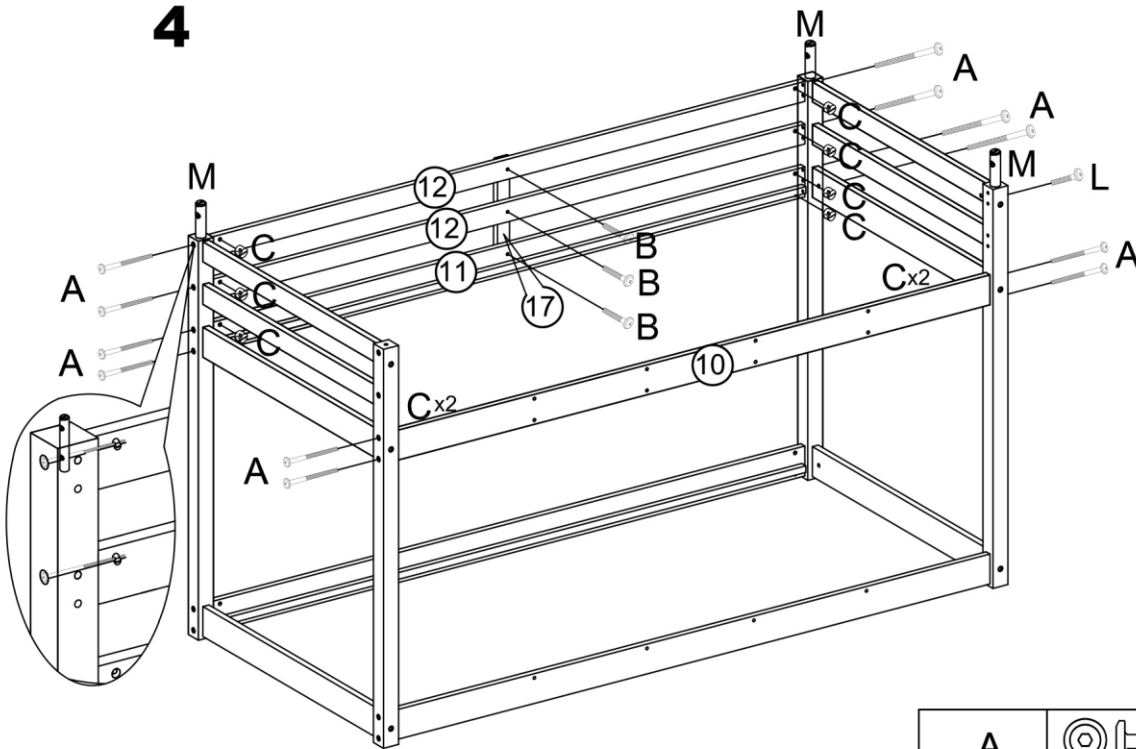
D	 $\Phi 8 \times 30 \text{mm}$	16
---	--	----





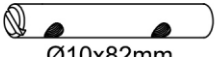
3



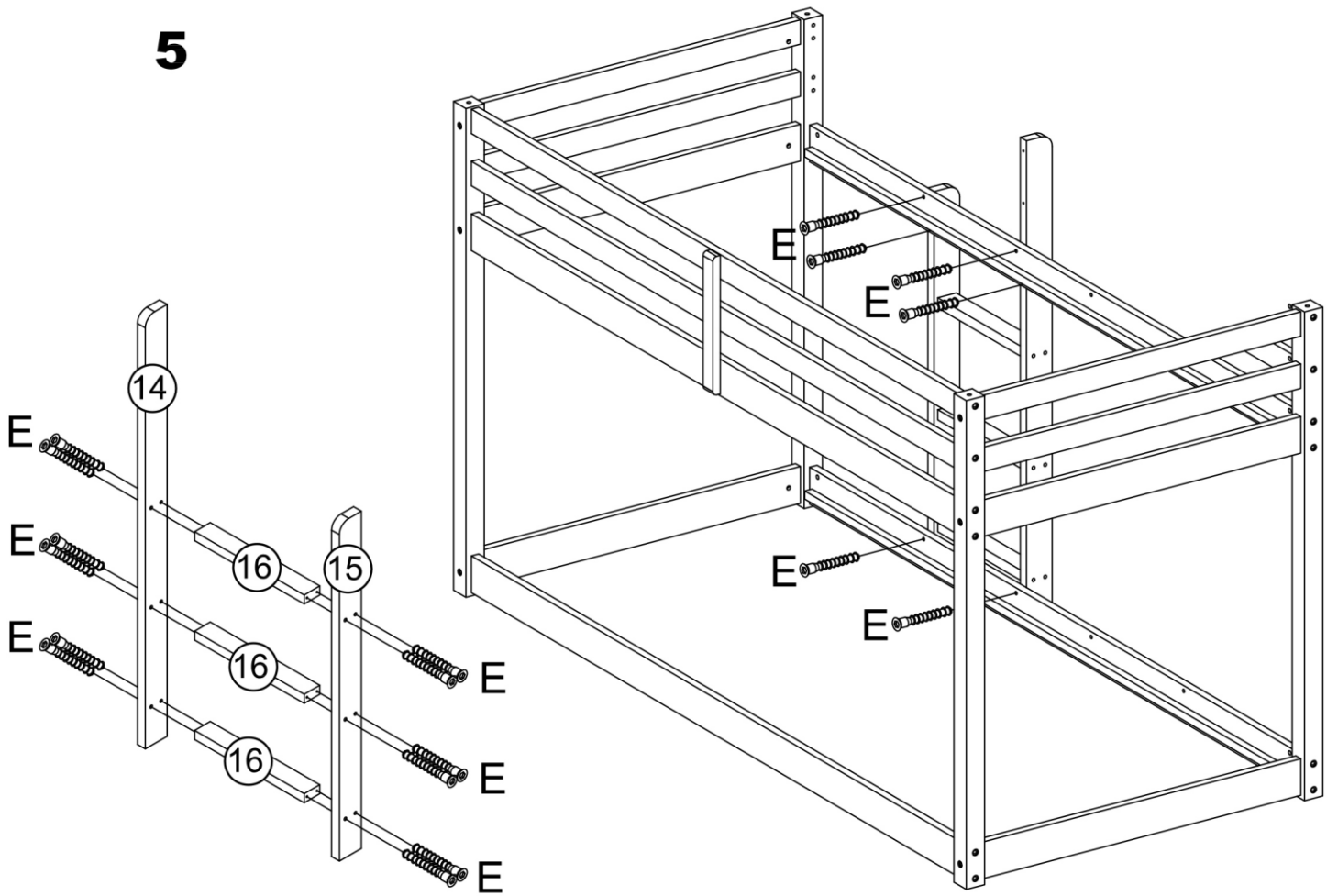
A	 M6x90mm	08
C	 M6	08

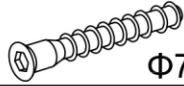
4



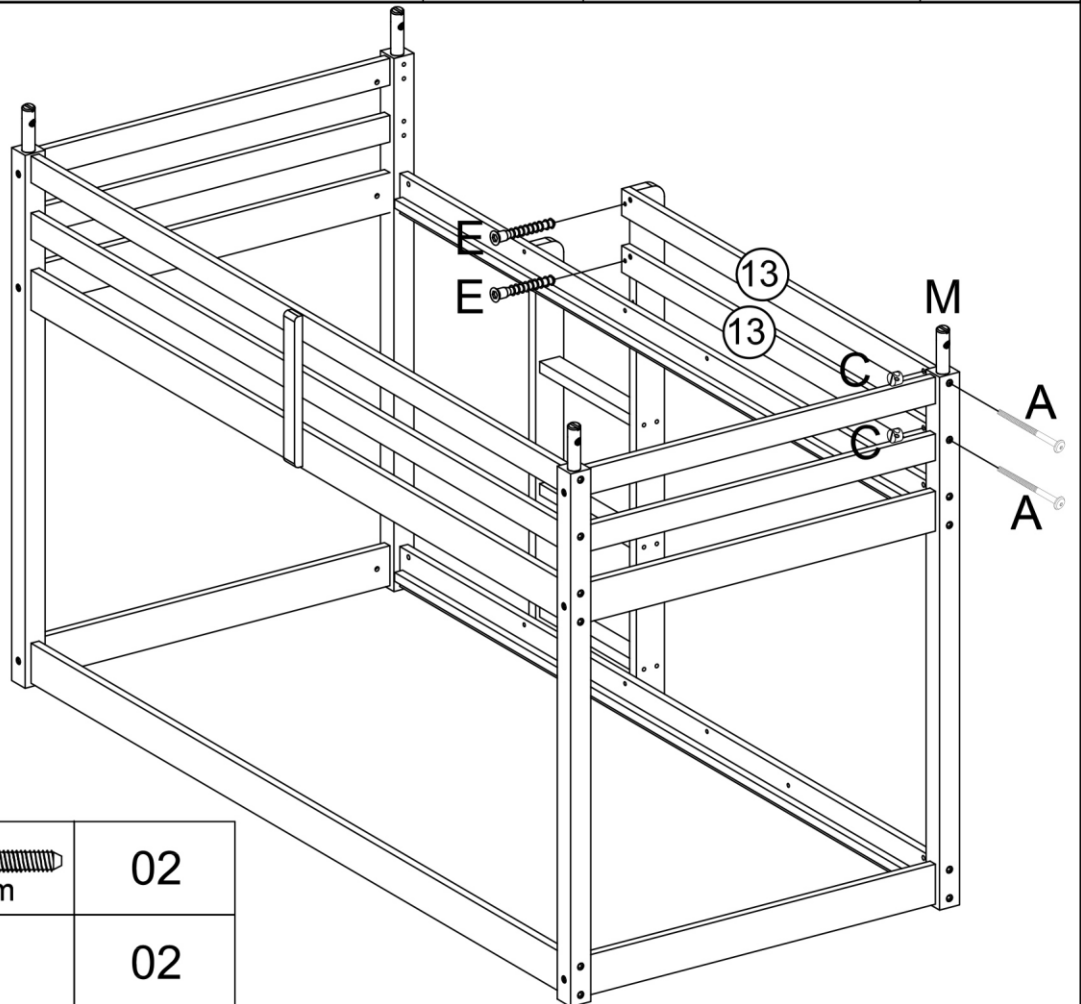
A	 M6x90mm	12
B	 M6x30mm	03
C	 M6	12
L	 M6x40mm	01
M	 Ø10x82mm	03



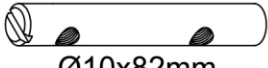
5

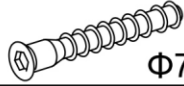


E		18
---	---	----

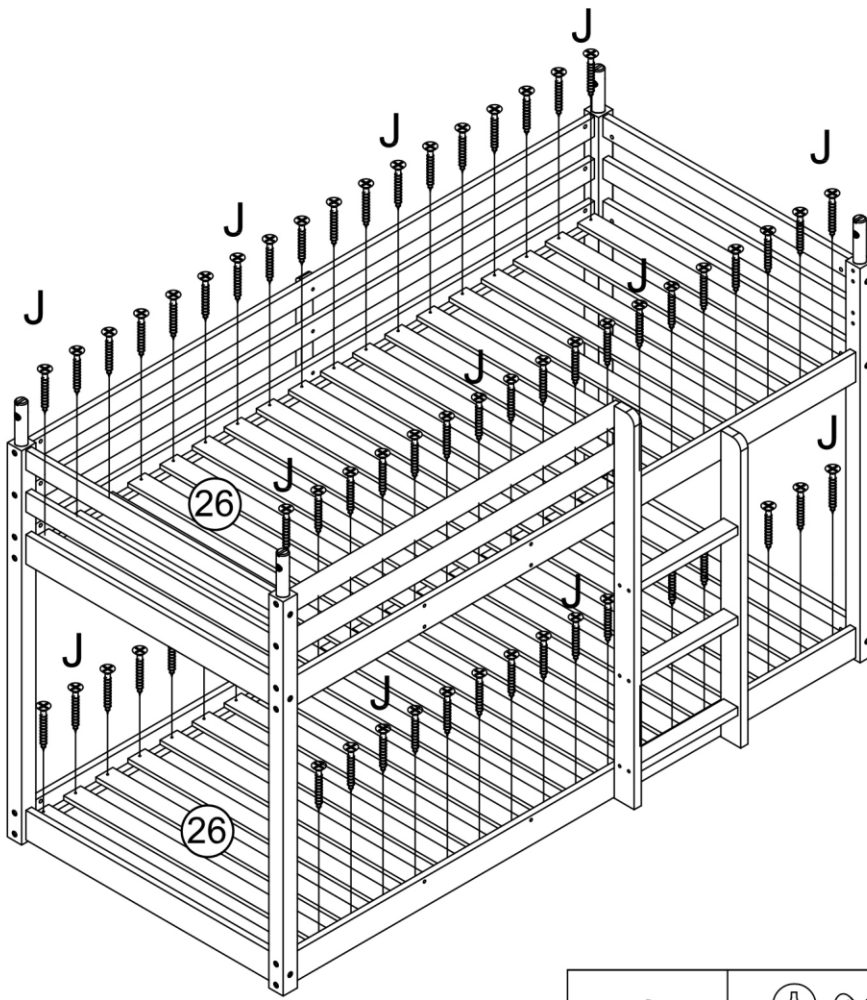
6



A		02
C		02
M		01

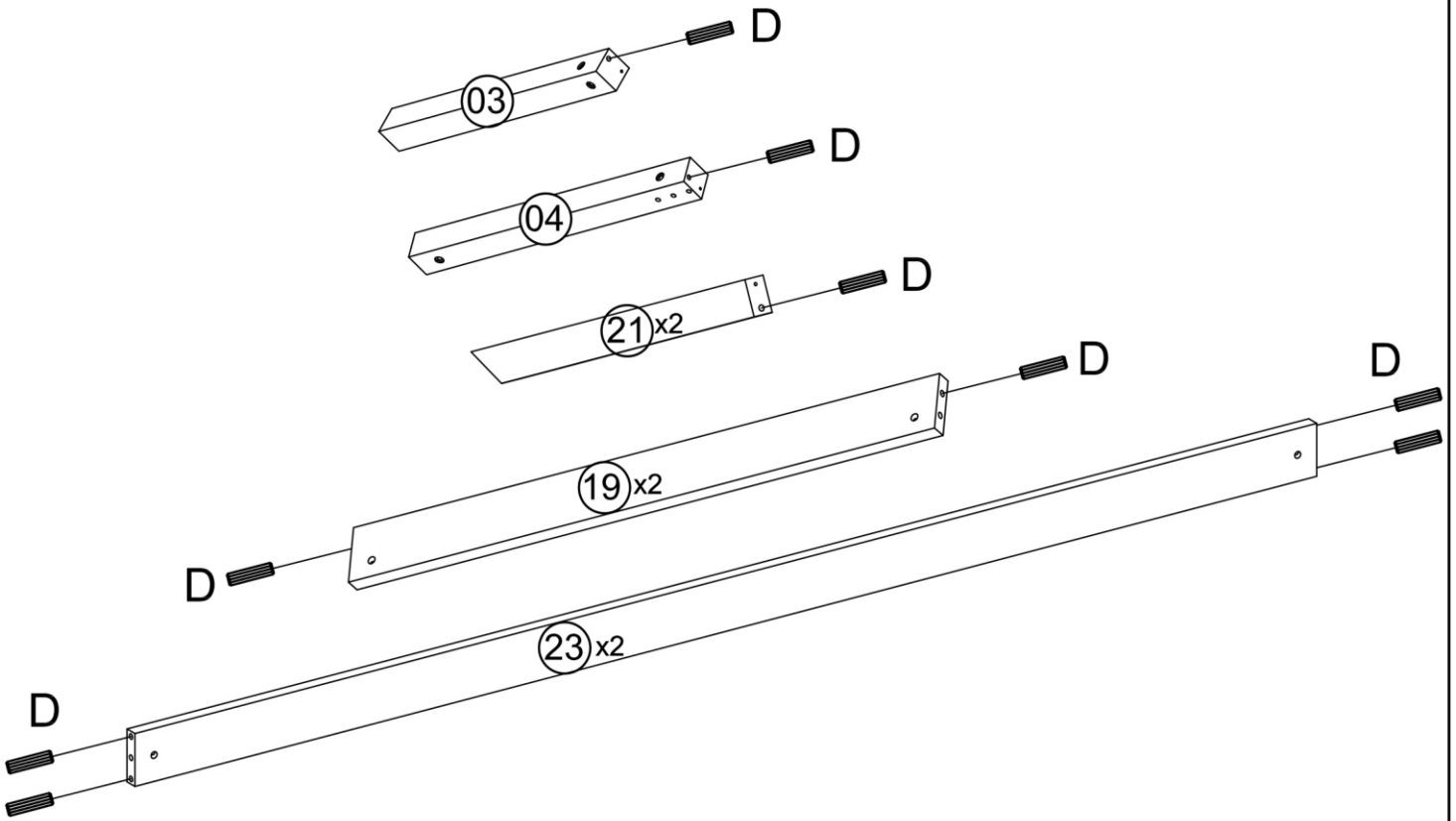
E		2
---	---	---


7

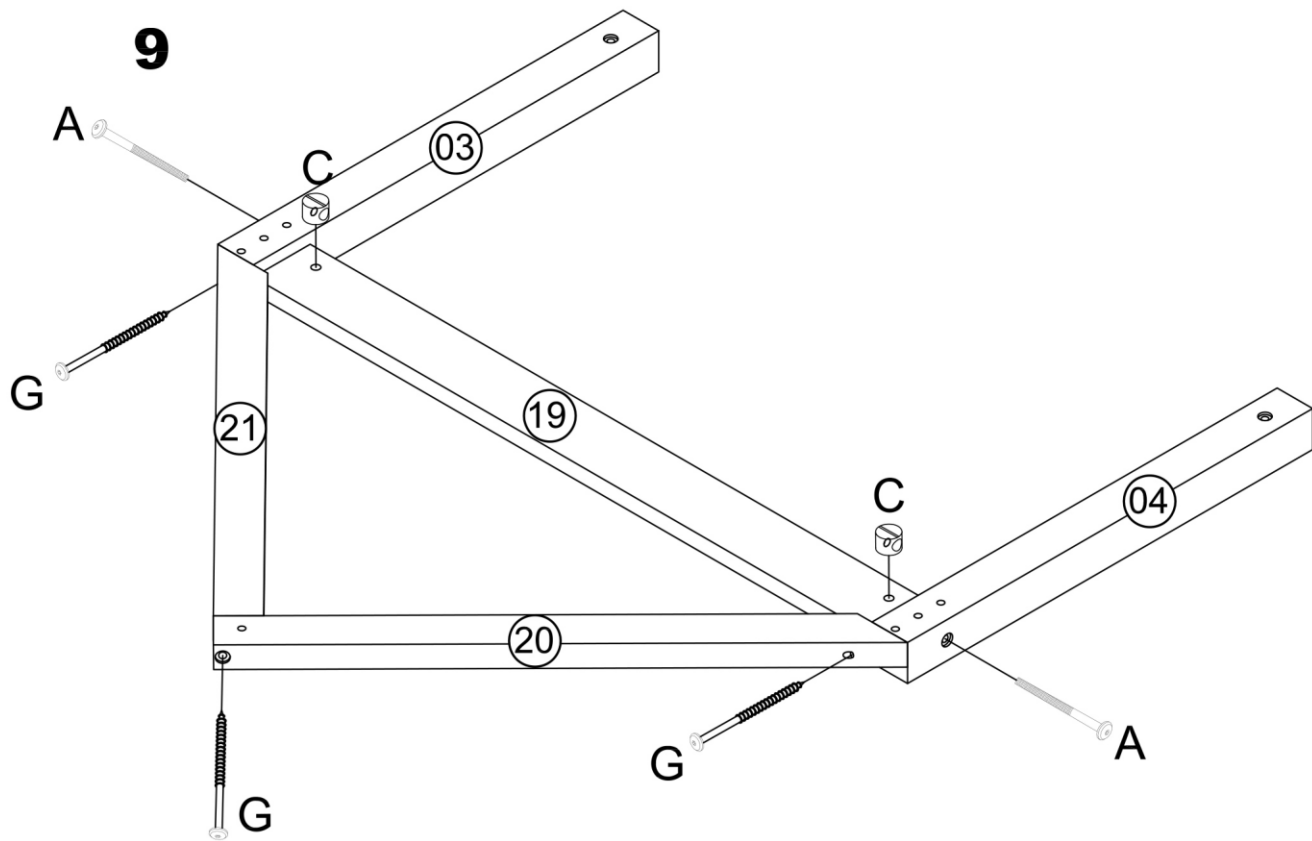



J	  Φ4x30mm	64
---	--	----

8

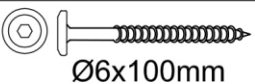


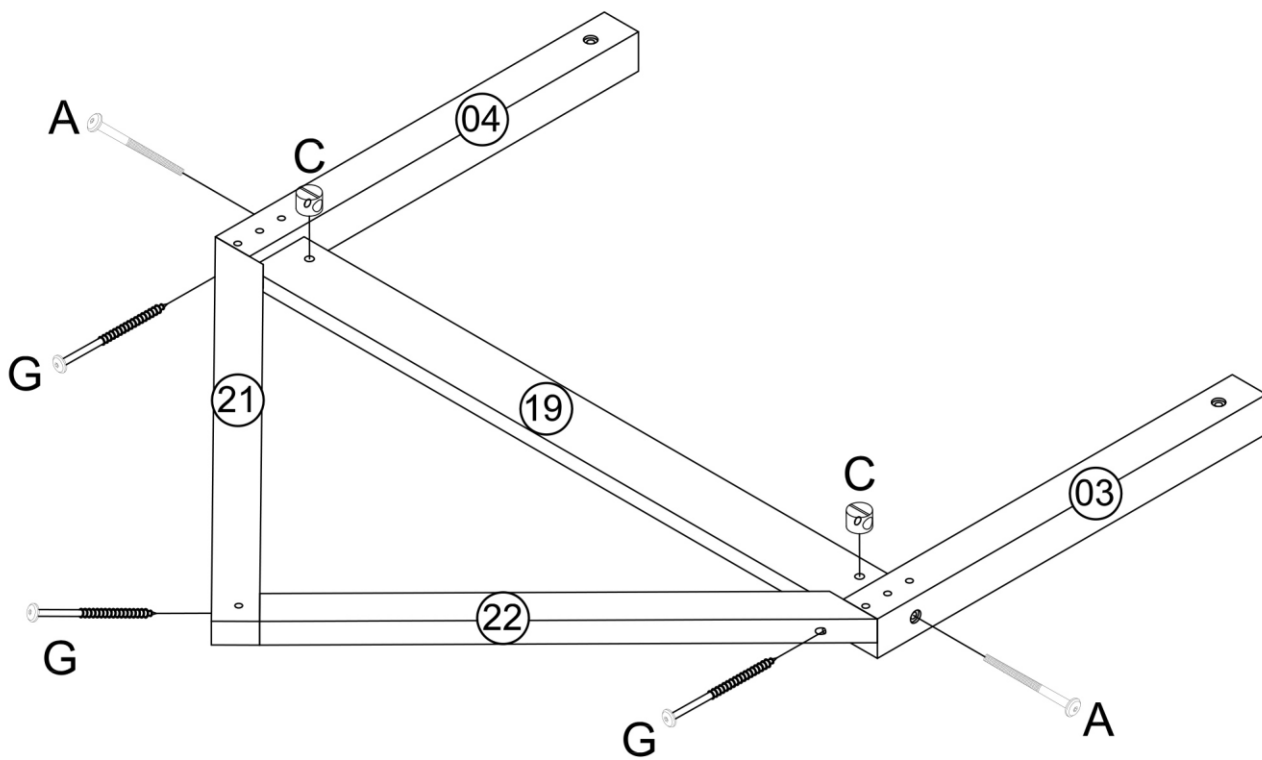
D	 Φ8x30mm	16
---	--	----

9

A	 M6x90mm	02
---	---	----

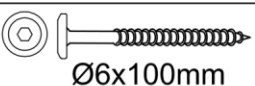
C	 M6	02
---	--	----

G	 Ø6x100mm	03
---	--	----

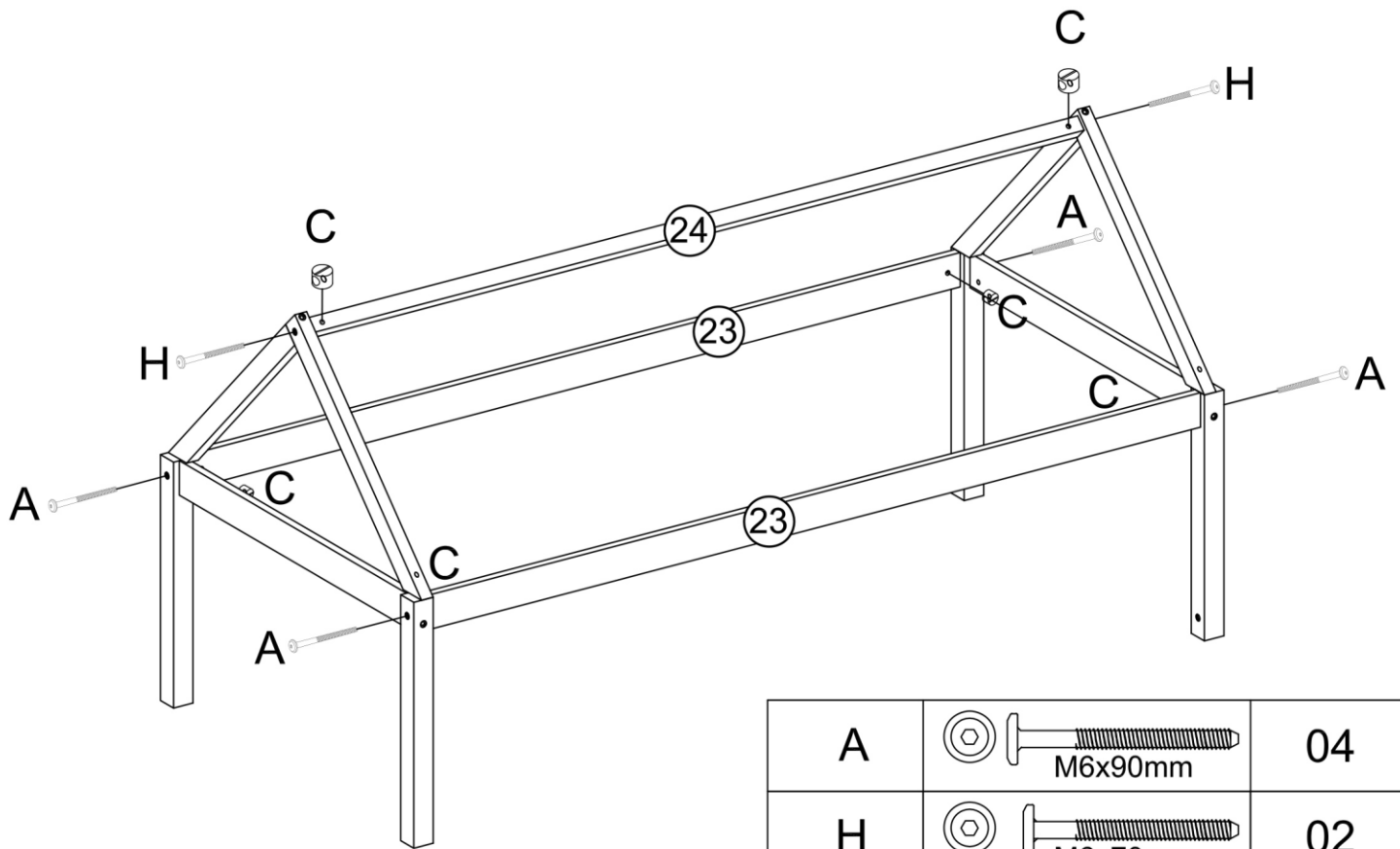
10


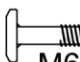

A	 M6x90mm	02
---	---	----

C	 M6	02
---	--	----

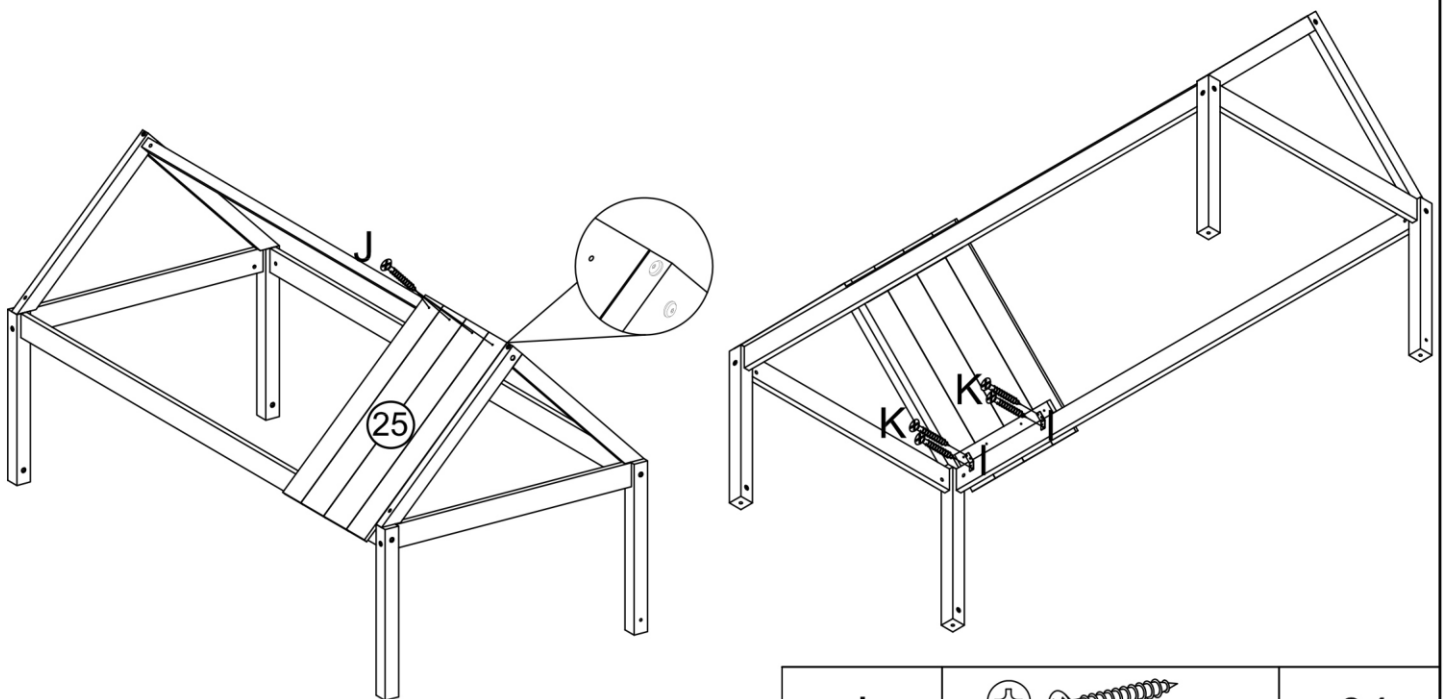
G	 Ø6x100mm	03
---	--	----


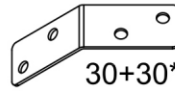

11



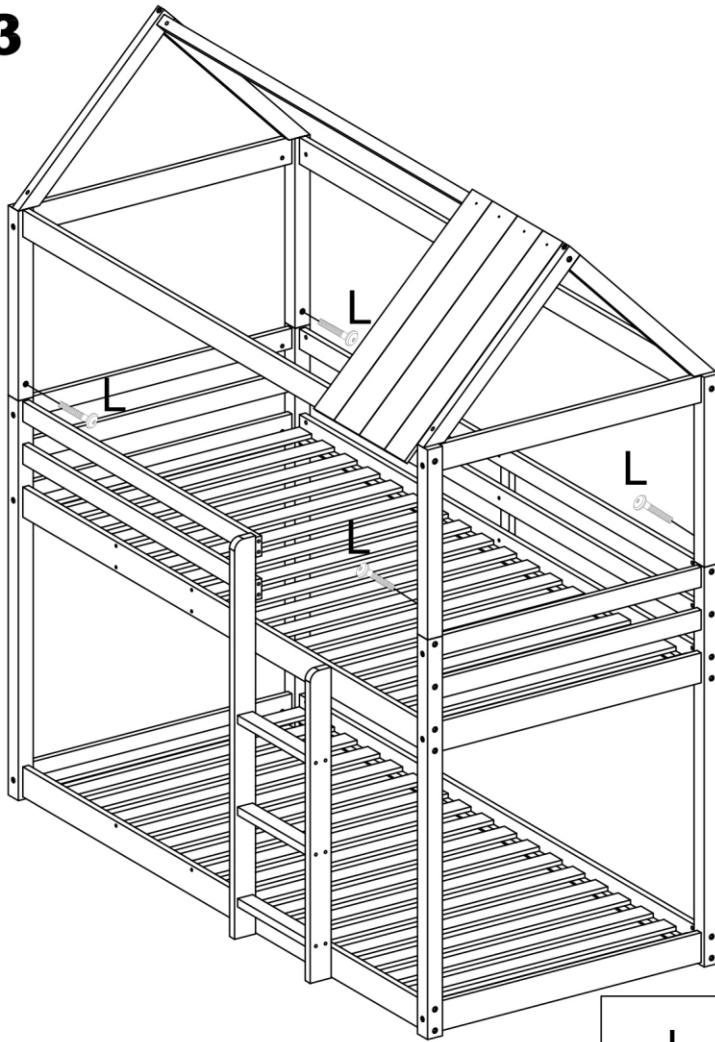
A	 M6x90mm	04
H	 M6x70mm	02
C	 M6	06

12

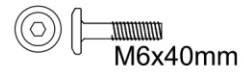


J	 $\Phi 4 \times 30 \text{mm}$	04
I	 30+30*16mm	02
K	 $\Phi 4 \times 16 \text{mm}$	04

13



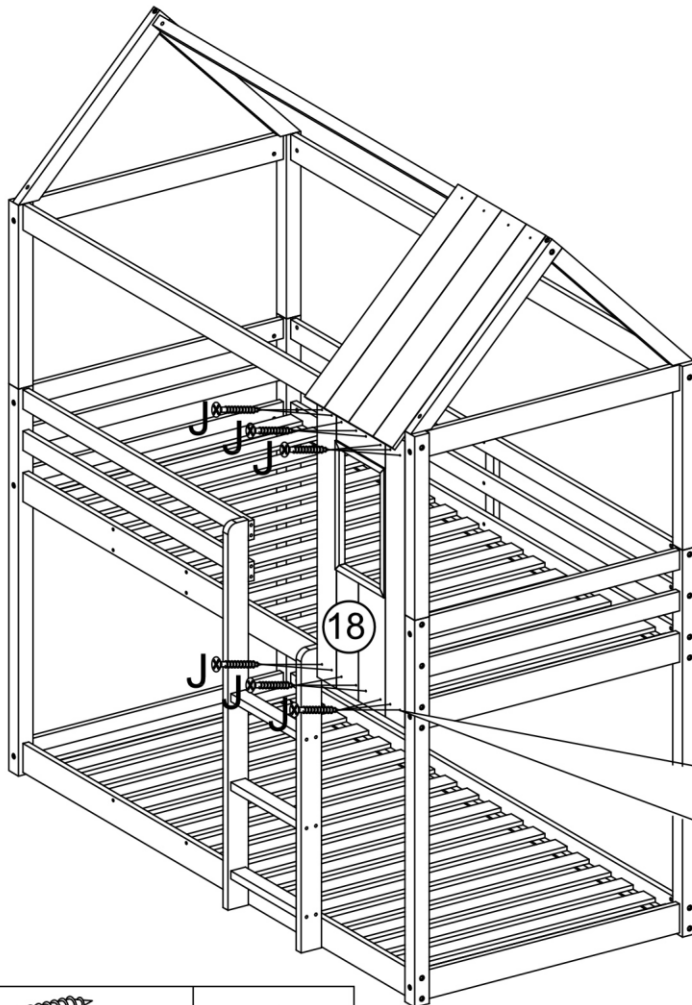
L



M6x40mm

04

14



18

J



Φ4x30mm

16

