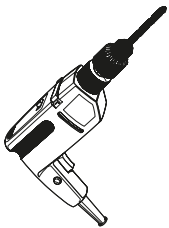
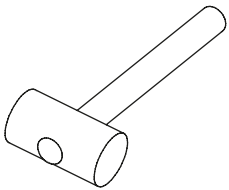
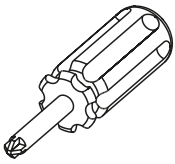
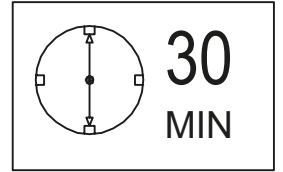
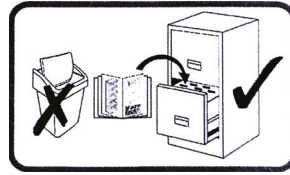
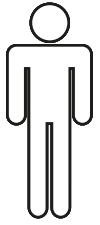
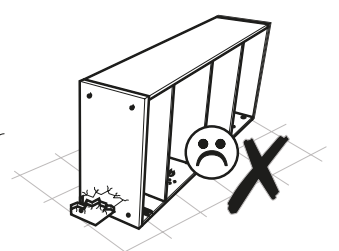
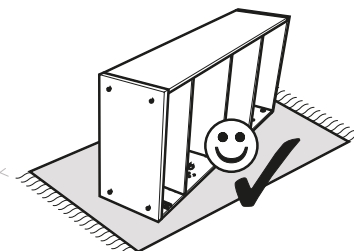
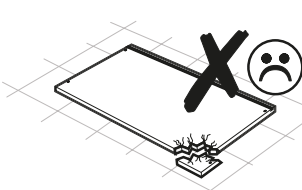
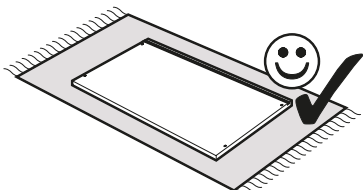
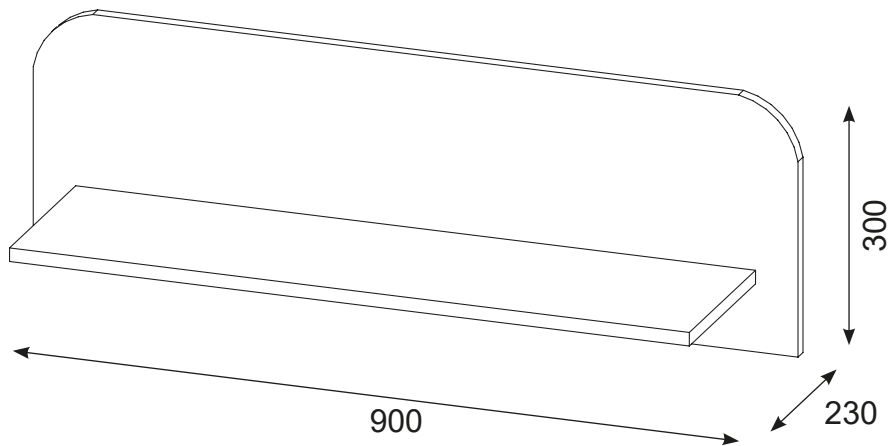





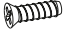

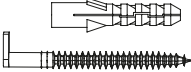

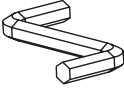
YOLK

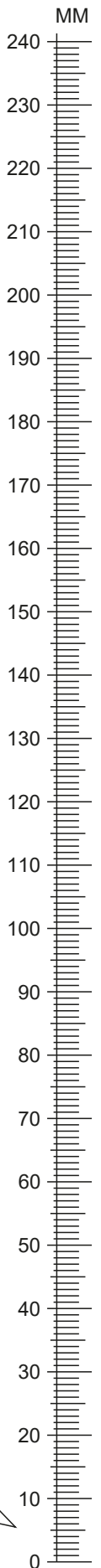


Ø10



YOLK

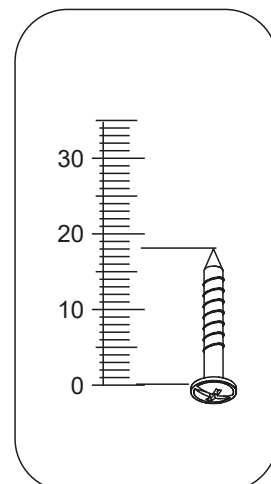
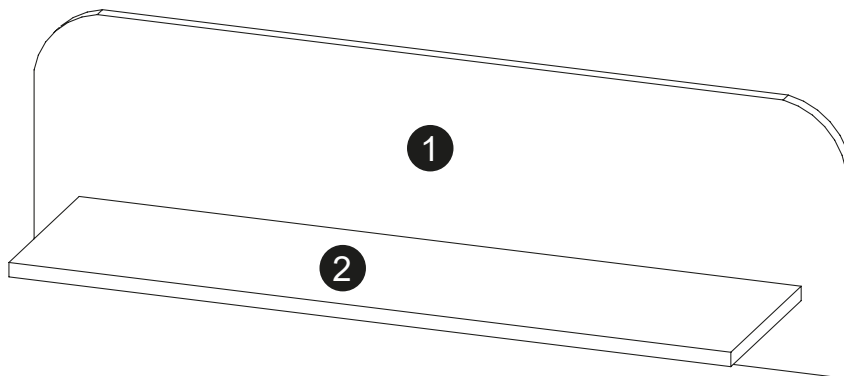
A0 8x30  x2	B0  x3	B2 7 x 70 mm  x3
D21 EURO 5 x11 mm  x4	M2  x2	E5 10 x 50 mm 6 x 55 mm  x2
U0  x2	Z  x1	



max.







2

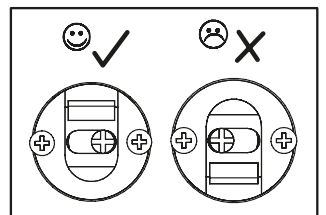
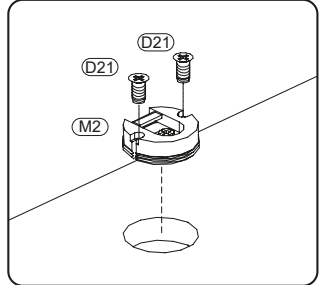
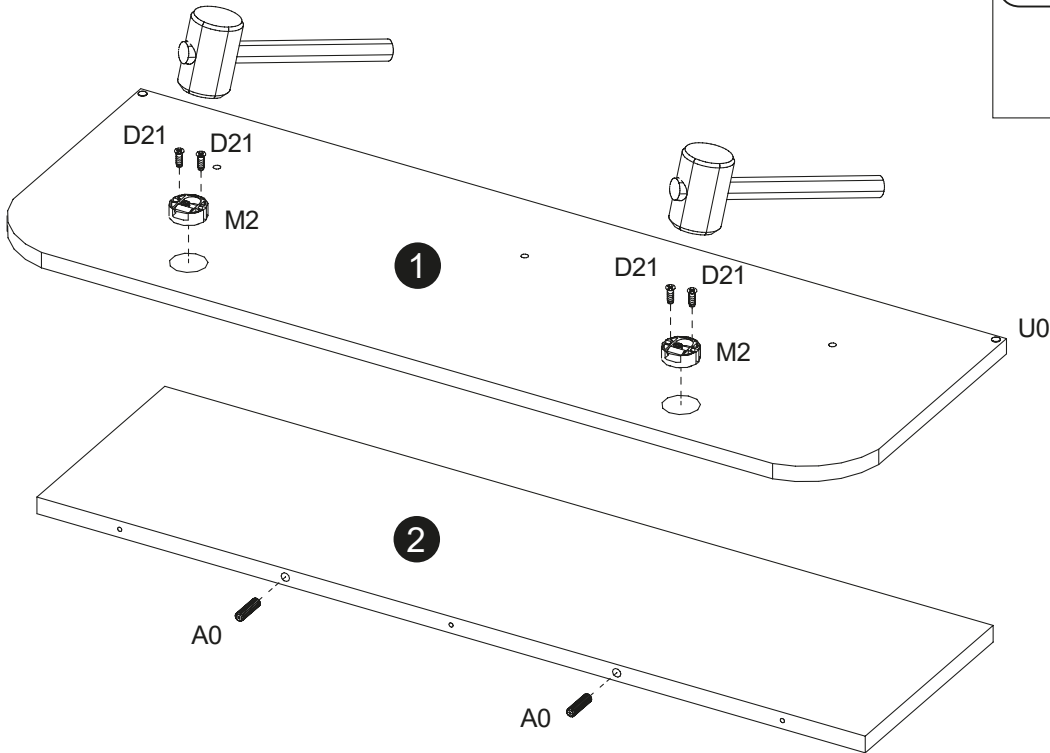


Colli 1/1: **1 2**


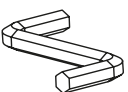

1

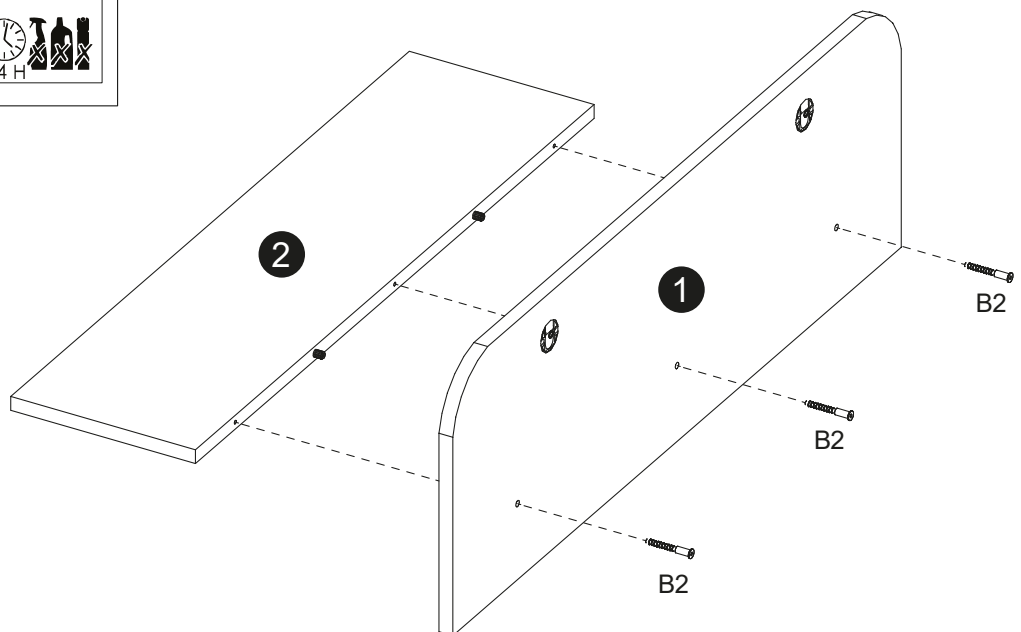
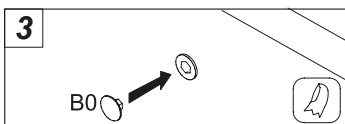
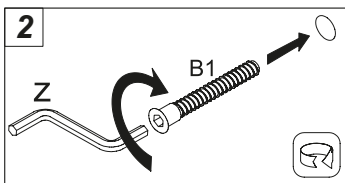
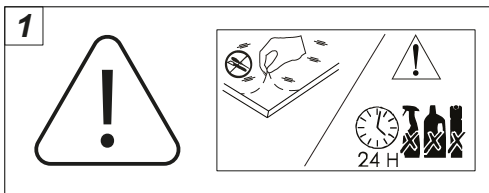
A0 8x30  x2	D21 EURO 5 x11 mm  x4	M2  x2
---	---	--

U0  x2
--



2

B2 7 x 70 mm  x3	Z  x1	B0  x3
--	---	--



3

