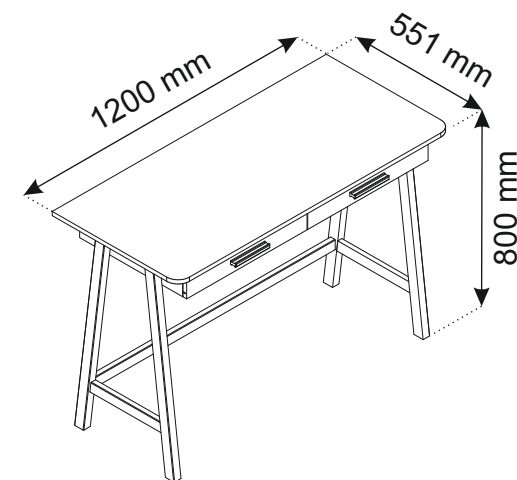
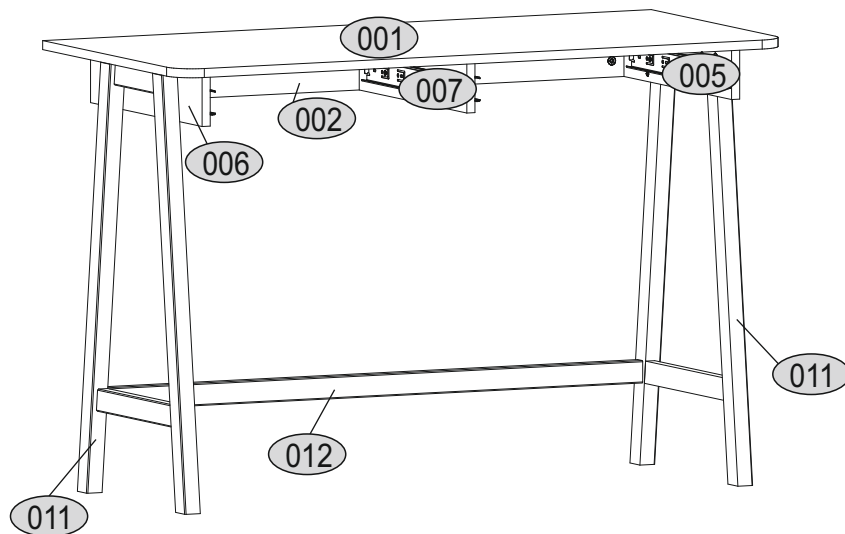
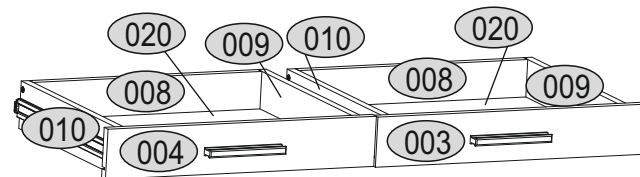
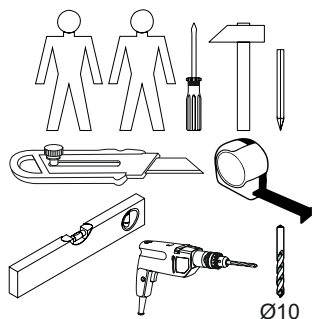
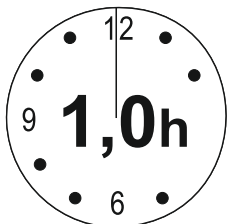


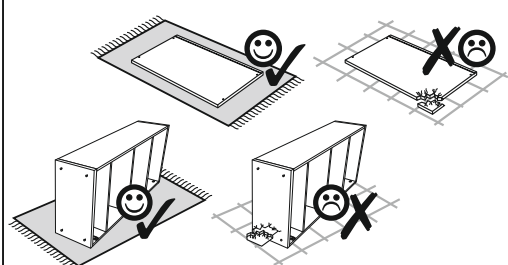
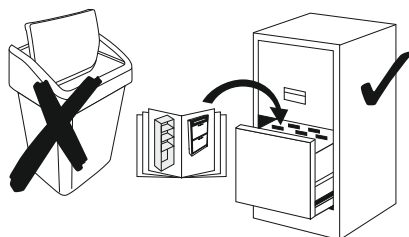


Installation manual






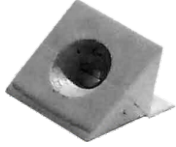

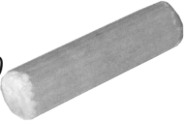




Belle Writing desk 2S

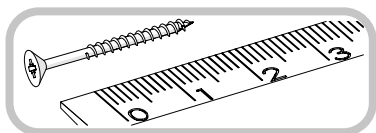


Code	Dimensions			Package	
001	1200	551	16	1	1/1
002	1028	93	16	1	1/1
003	527	91	16	1	1/1
004	527	91	16	1	1/1
005	451	93	16	1	1/1
006	451	93	16	1	1/1
007	435	93	16	1	1/1
008	449	86	16	2	1/1
009	400	86	16	2	1/1
010	400	86	16	2	1/1
011	775	438	30	2	1/1
012	1061	40	20	1	1/1
020	467	402	2,5	2	1/1
Accessories				1	1/1

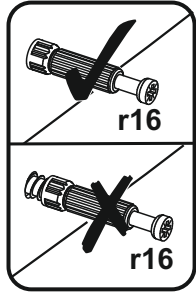


Accessories:

<p>4x p9 Ø4x30</p> 	<p>2x c57</p> 	<p>4x e1 Ø7x50</p> 	<p>8x p10 Ø4x40</p> 
<p>19x r1 15x12</p> 	<p>8x l2</p> 	<p>19x r16 Ø5x24</p> 	<p>23x f1 Ø8x30</p> 
<p>32x p25 Ø3.5x16</p> 	<p>4x s2</p> 	<p>1x z1</p> 	<p>2x lb L-400</p> 



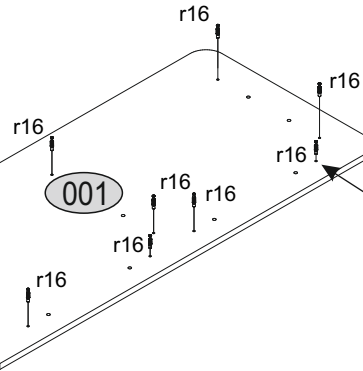
1



r16

r16

r16

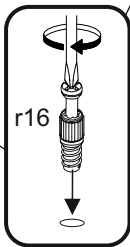


011

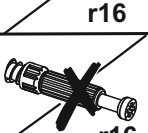
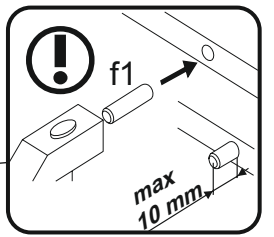
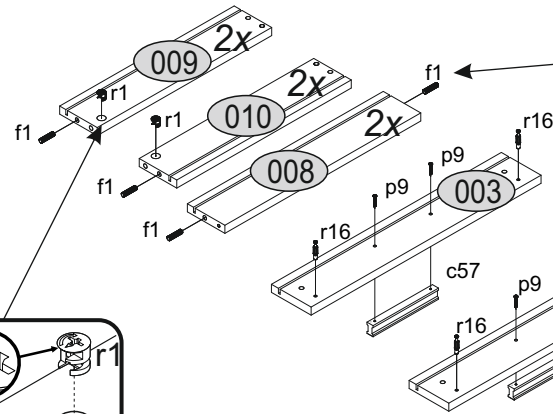
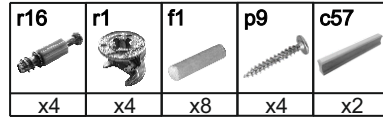
r16

011

r16



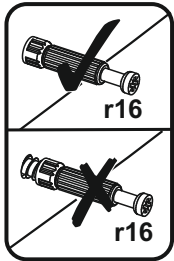
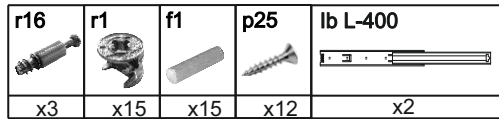
2



r16

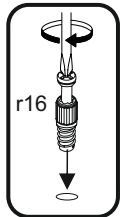
r16

3

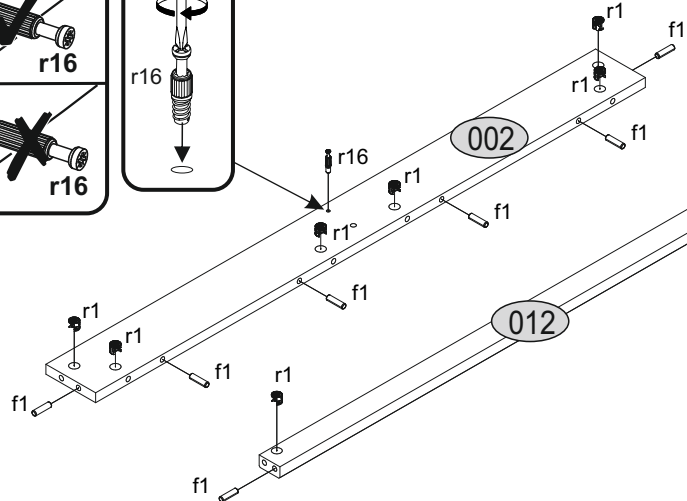


r16

r16

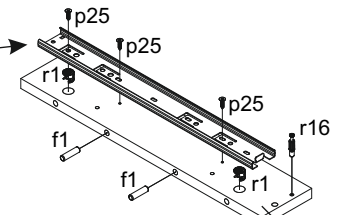
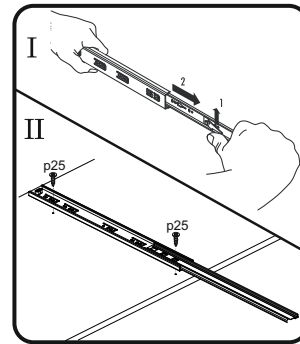
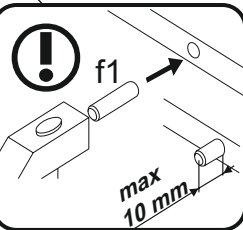
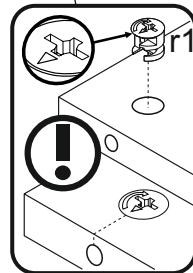


r16

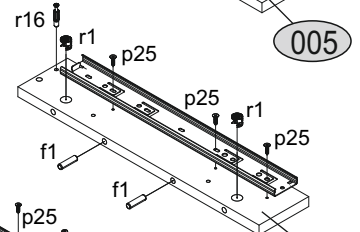


002

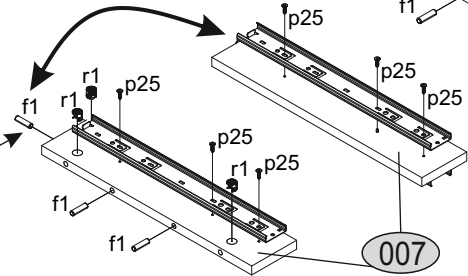
012



005

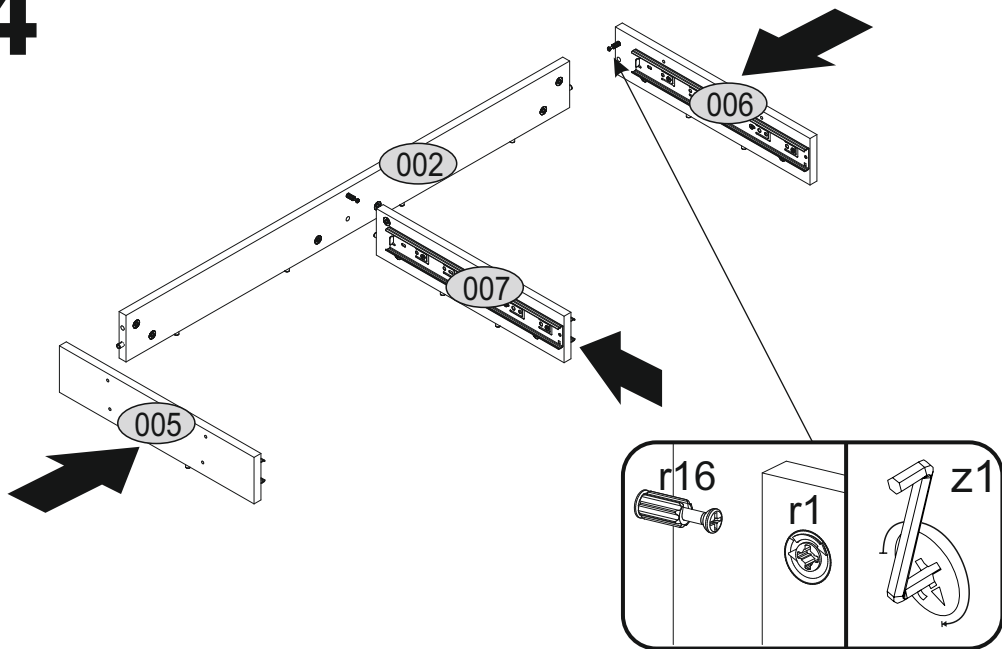


006

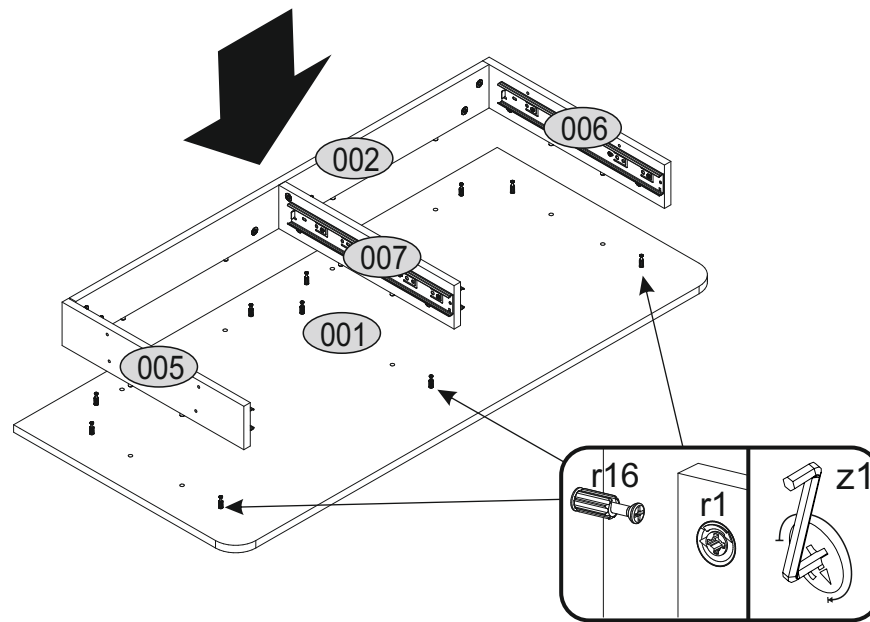


007

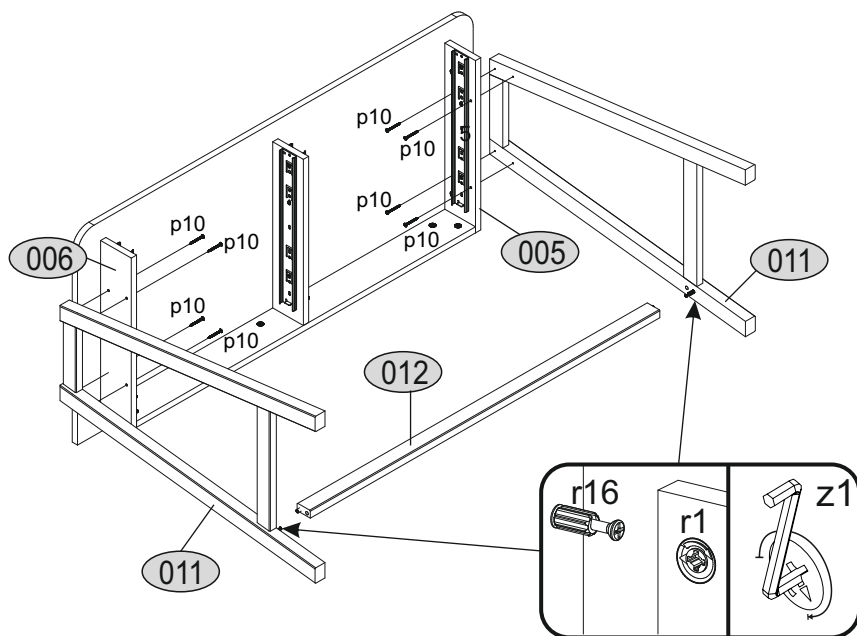
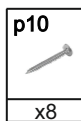
4



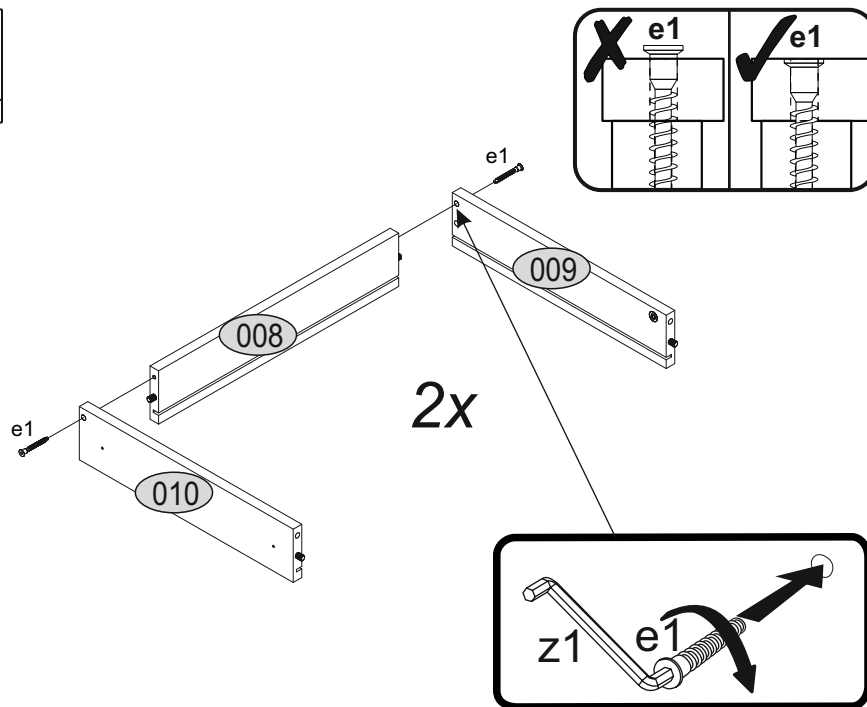
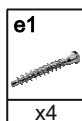
5



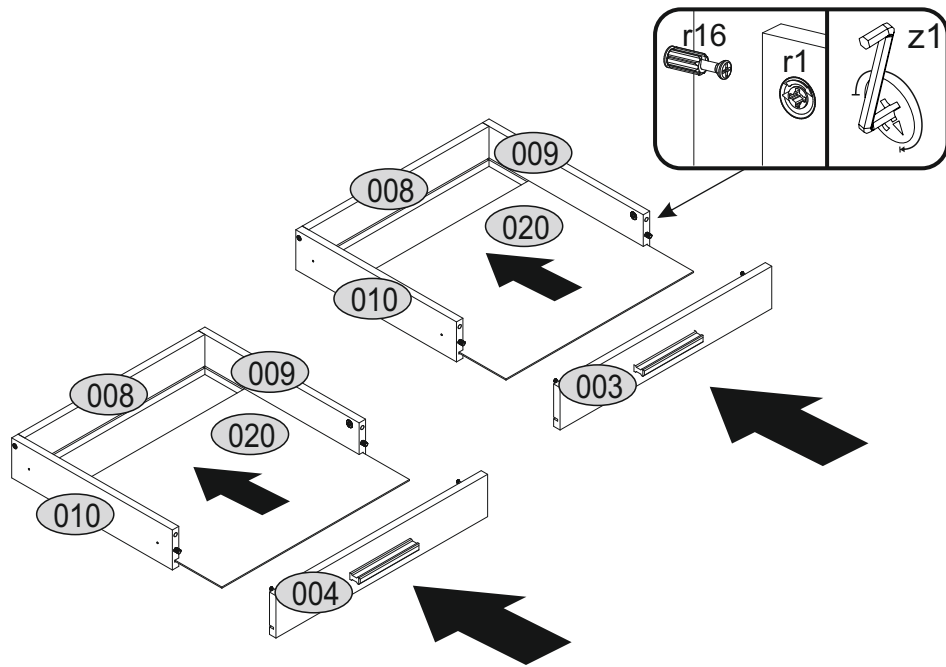
6



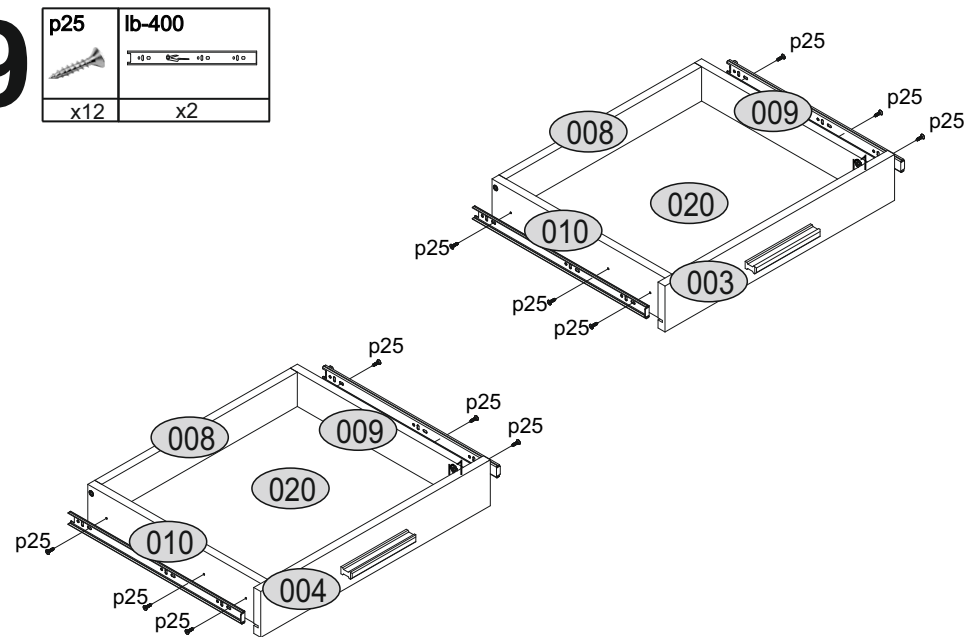
7



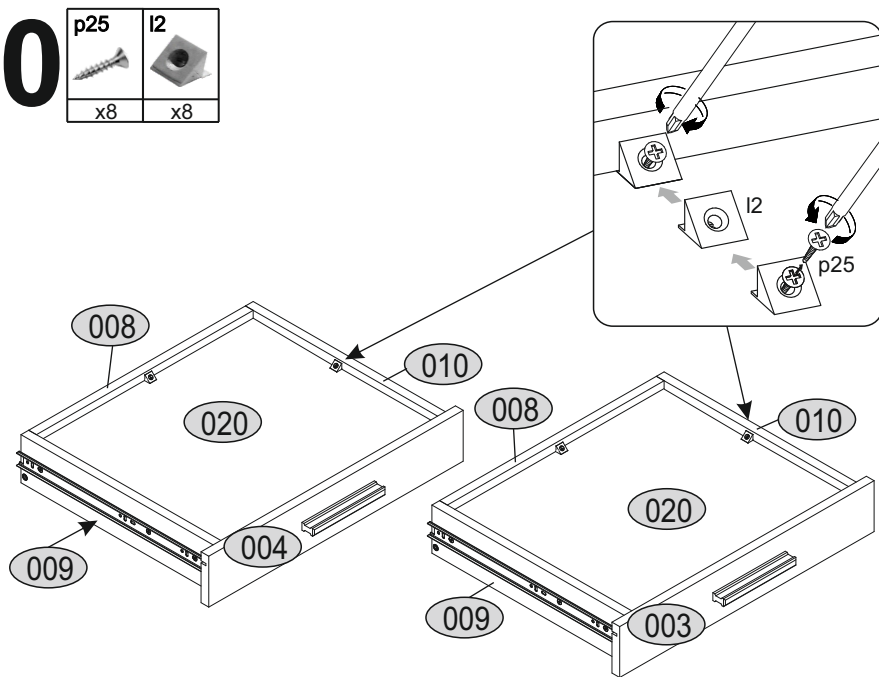
8



9



10



11

