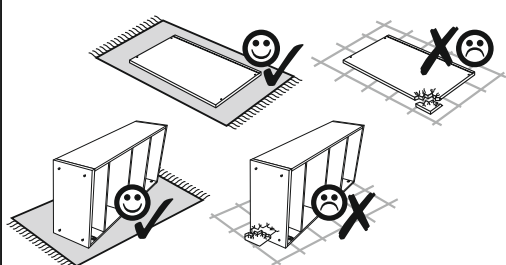
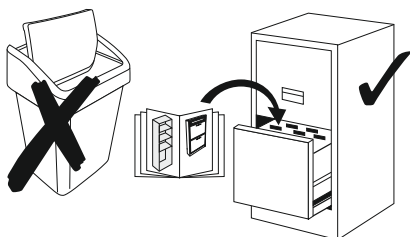
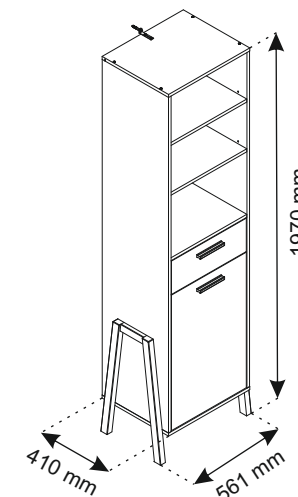
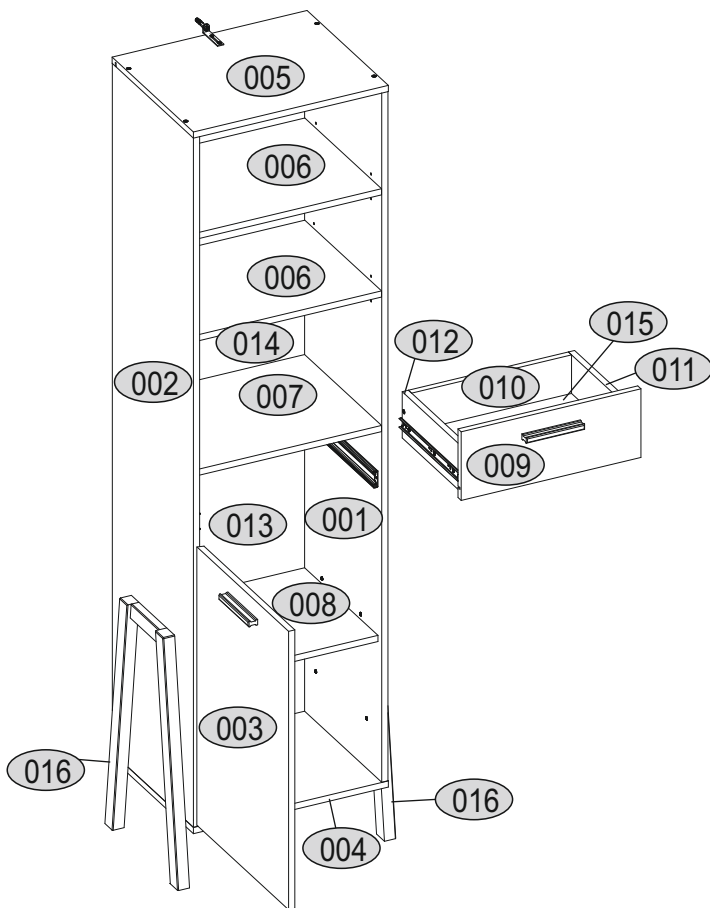
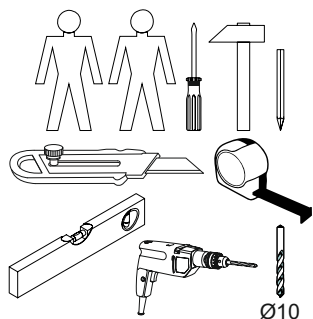
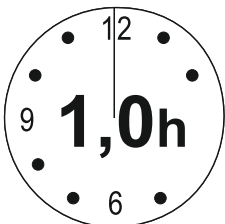


Installation manual

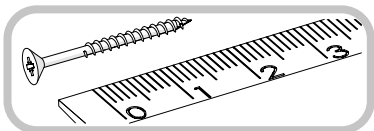
Belle Shelving 1D1S



Code	Dimensions				Package
001	1788	409	16	1	1/2
002	1788	409	16	1	1/2
003	722	462	16	1	2/2
004	501	410	16	1	1/2
005	501	410	16	1	1/2
006	468	384	16	2	2/2
007	468	388	16	1	2/2
008	468	370	16	1	2/2
009	462	178	16	1	2/2
010	411	120	16	1	1/2
011	300	120	16	1	1/2
012	300	120	16	1	1/2
013	926	487	3	1	2/2
014	880	487	3	1	2/2
015	302	429	2,5	1	2/2
016	620	370	30	2	1/2
Accessories				1	1/2

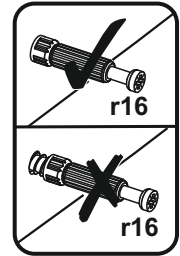
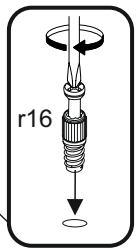
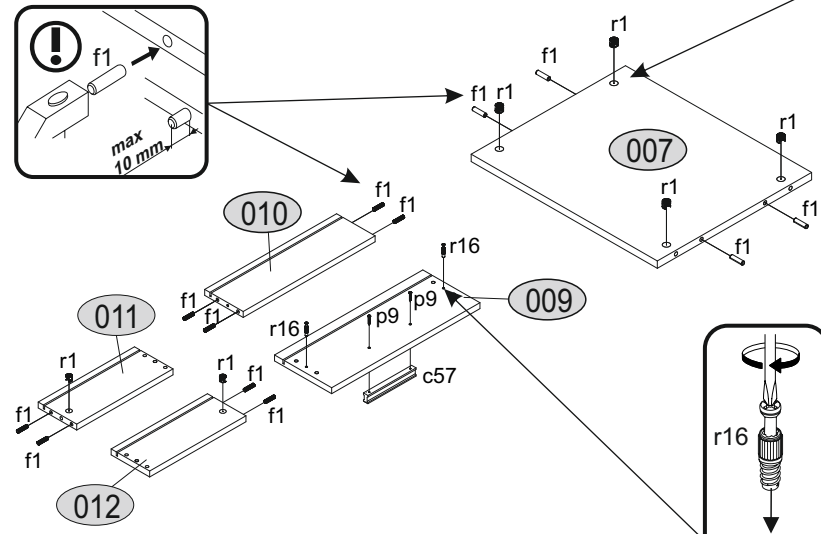
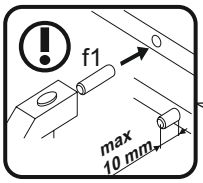
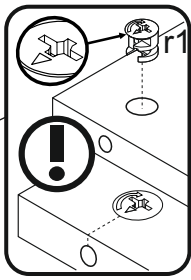
Accessories:

<p>2x a311.04.002</p> 	<p>2x b219</p> 	<p>2x c57</p> 	<p>12x d1 Ø5x16</p> 
<p>10x e1 Ø7x50</p> 	<p>20x f1 Ø8x30</p> 	<p>1x f3 Ø10x50</p> 	<p>1x lb L-300</p> 
<p>10x l2</p> 	<p>1x n14</p> 	<p>2x n260.01</p> 	<p>8x p10 Ø4x40</p> 
<p>1x p17 Ø6x50</p> 	<p>30x p25 Ø3.5x16</p> 	<p>4x p9 Ø4x30</p> 	<p>6x r1 Ø15x12</p> 
<p>6x r16 Ø5x24</p> 	<p>2x s2</p> 	<p>16x s4</p> 	<p>1x z1</p> 



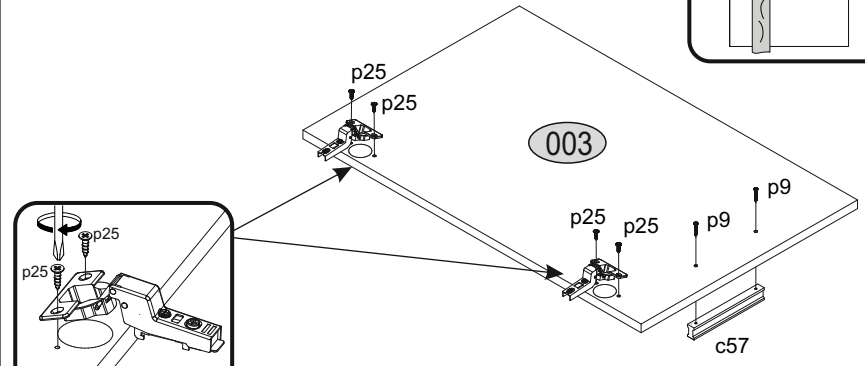
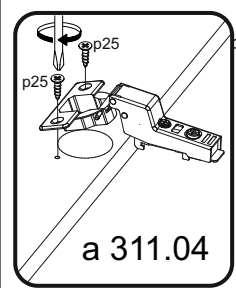
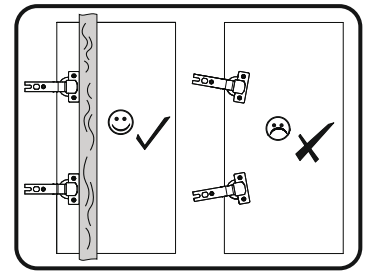
1

f1	r1	p9	c57	r16
x12	x6	x2	x1	x2



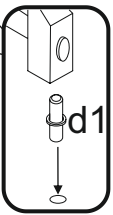
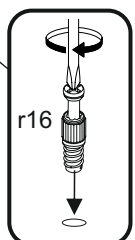
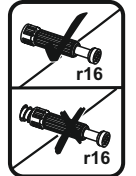
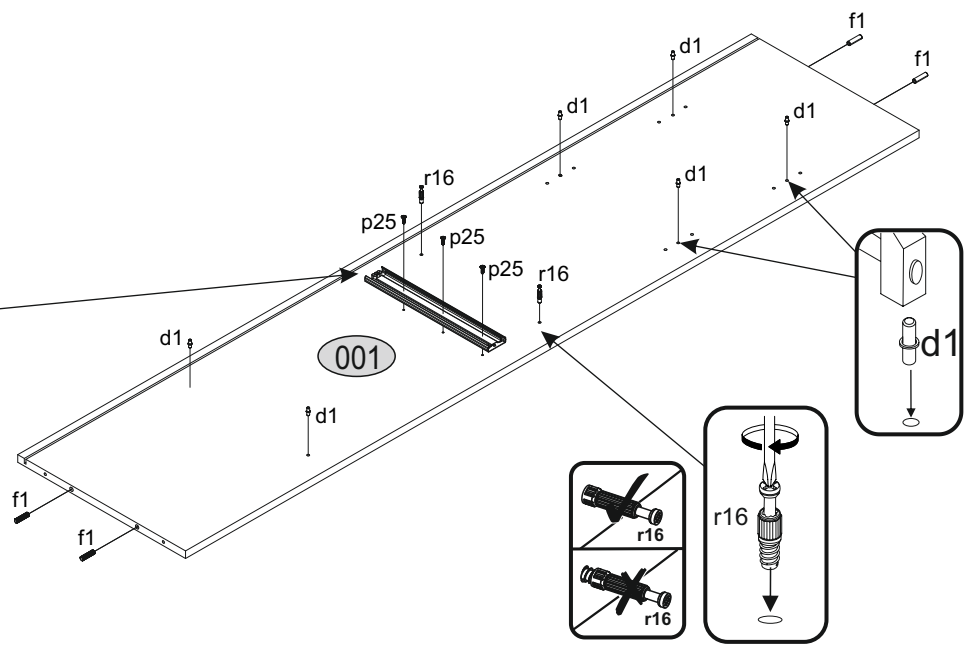
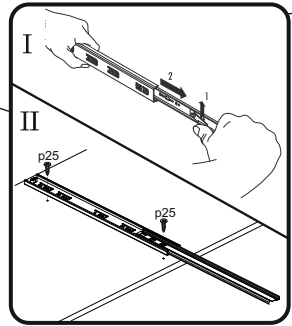
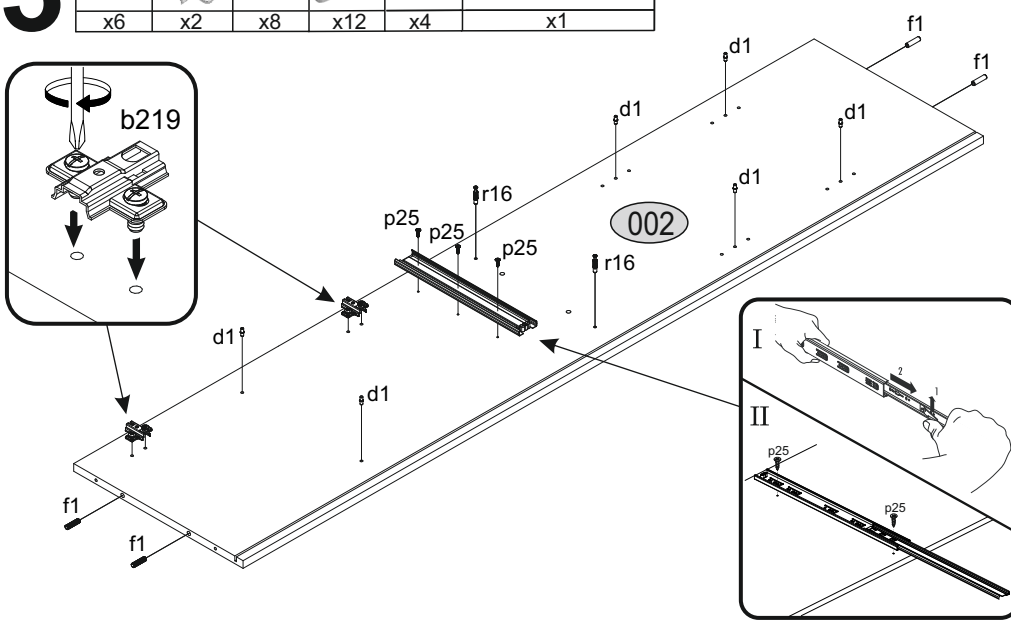
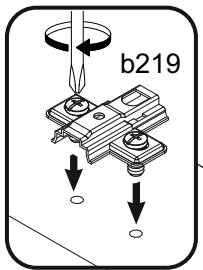
2

p25	a311.04	p9	c57
x4	x2	x2	x1

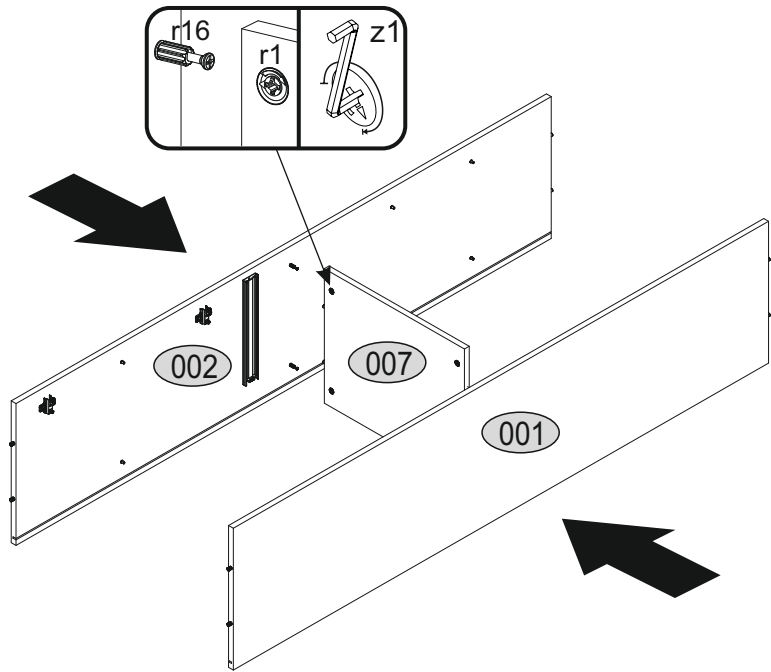


3

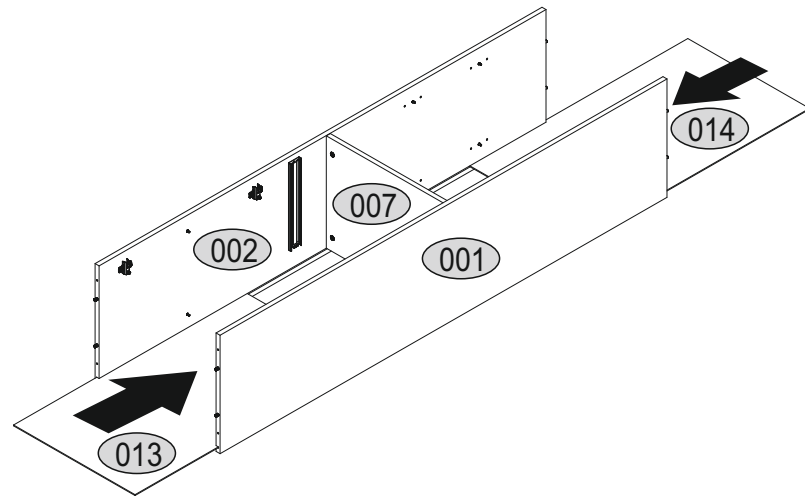
p25	b219	f1	d1	r16	lb-300
x6	x2	x8	x12	x4	x1



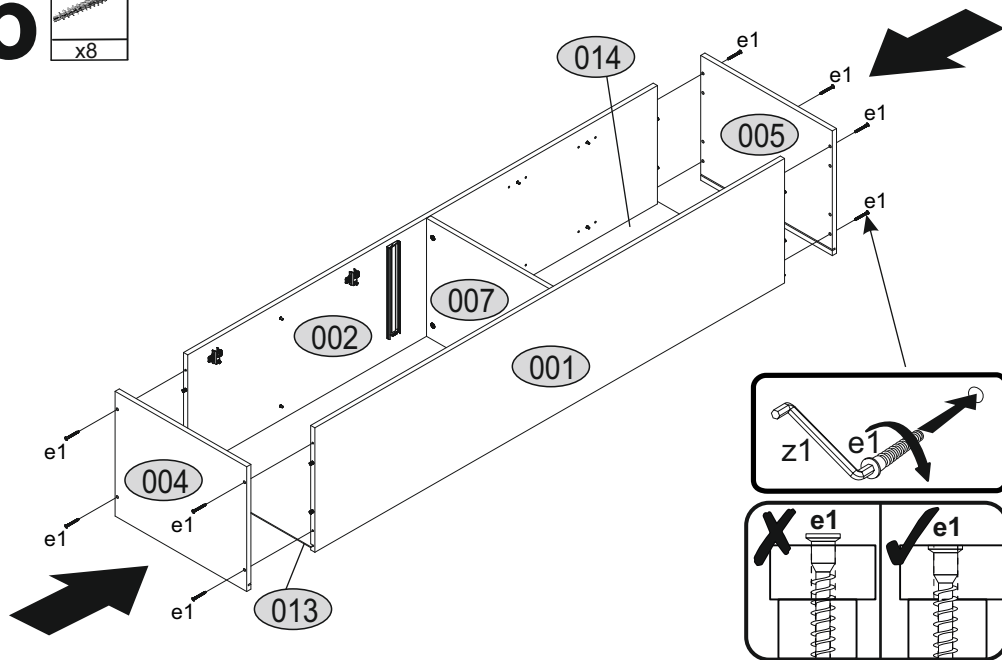
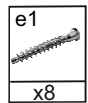
4



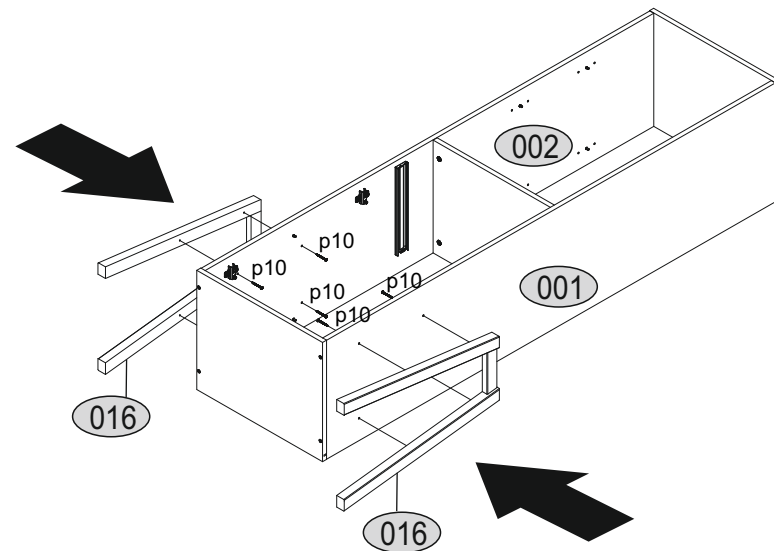
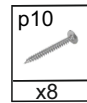
5



6

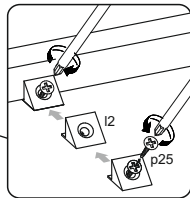
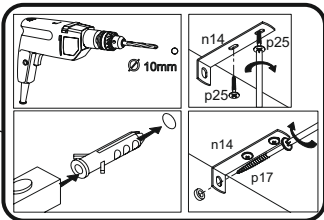
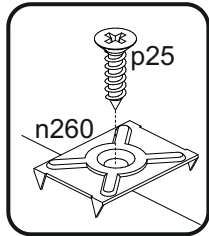
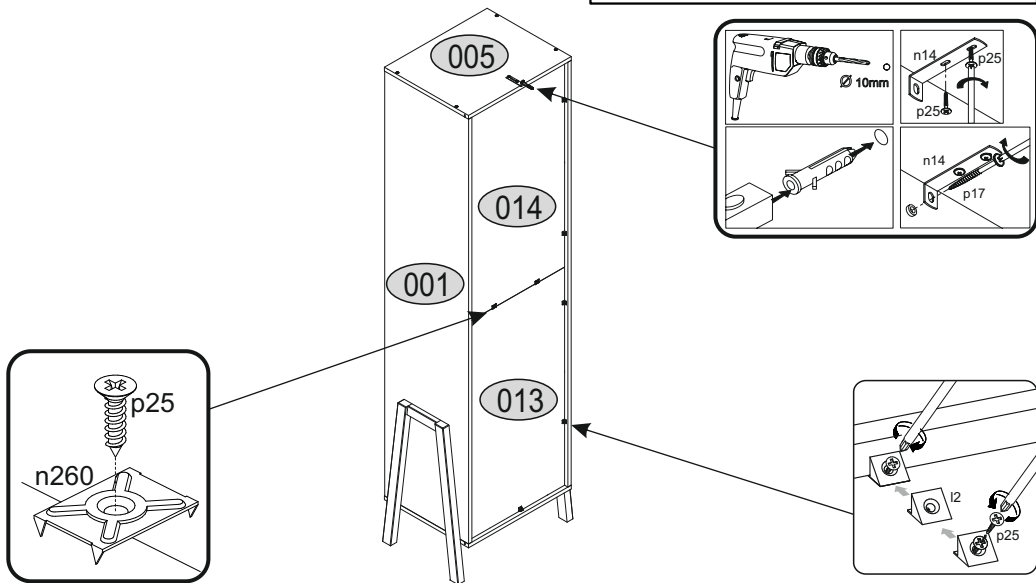
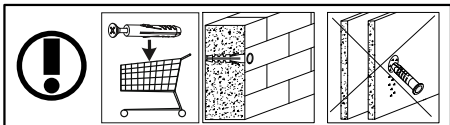


7

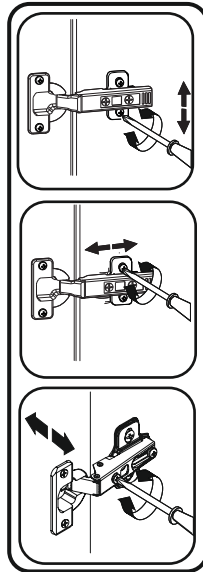
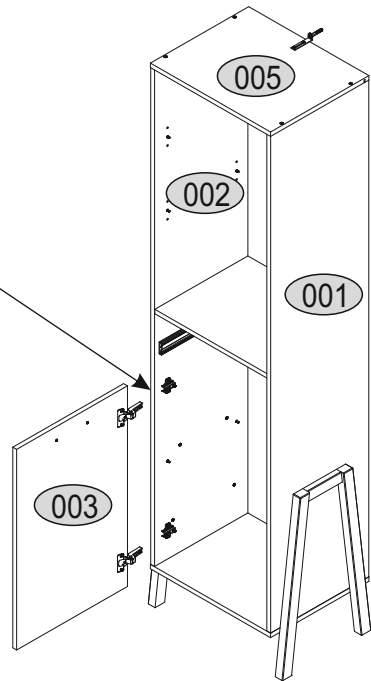


8

p25	l2	n260.01	n14	f3	p17
x14	x10	x2	x1	x1	x1

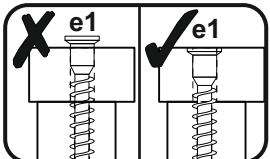
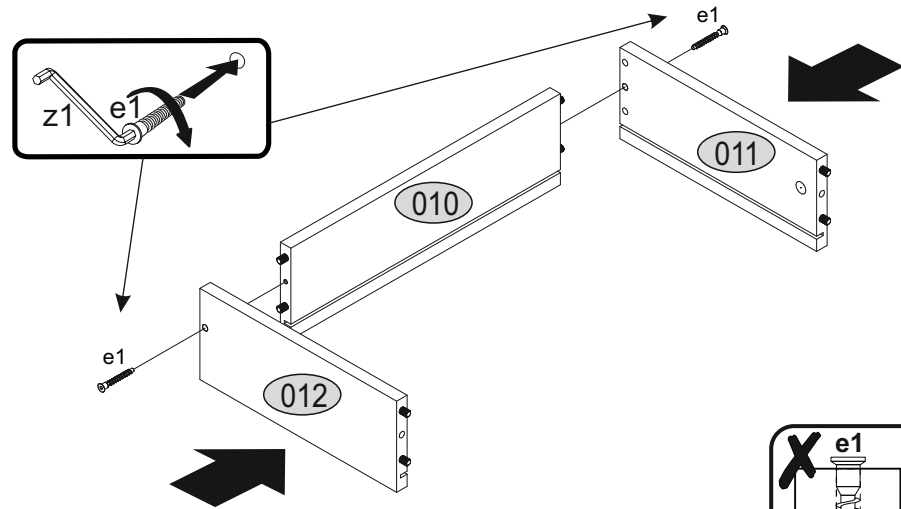


9

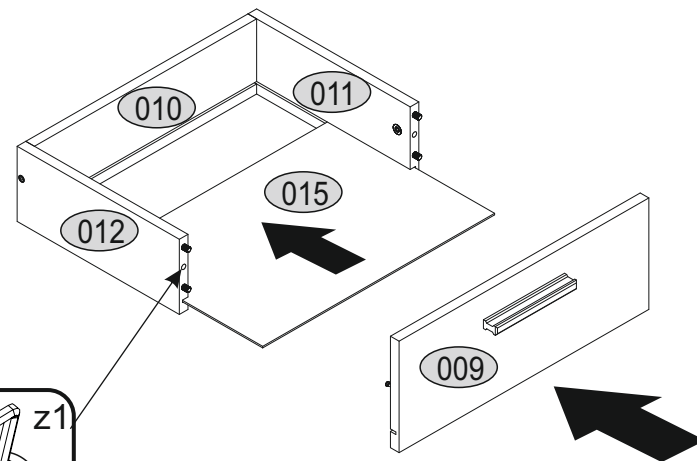
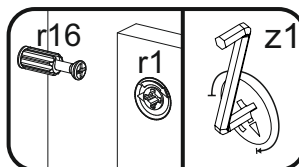


10

e1
x2

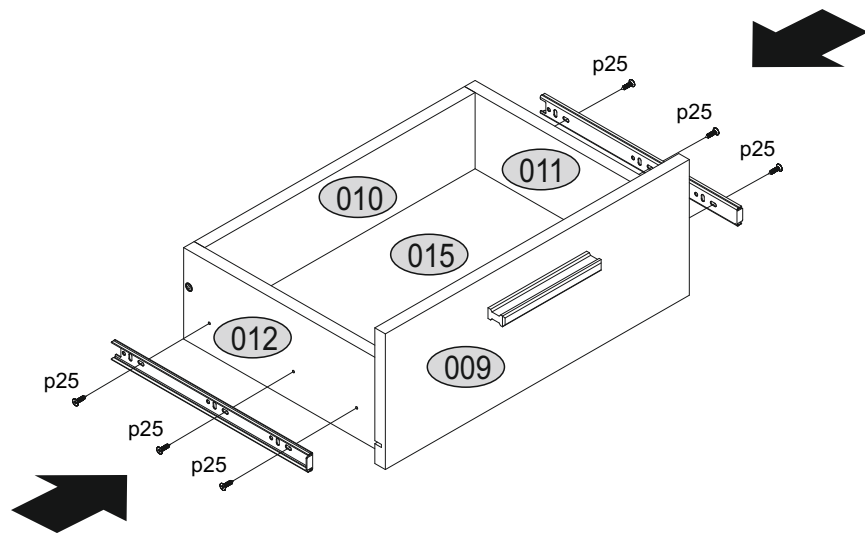


11

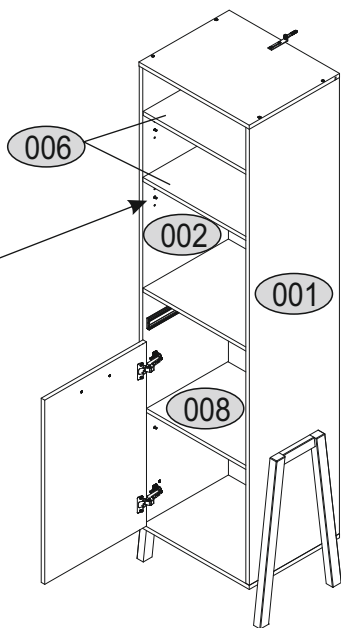
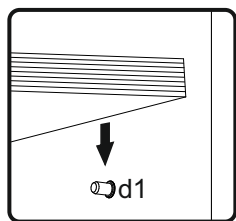


12

p25	lb-300
x6	x1



13



14

s2	s4
x2	x16

