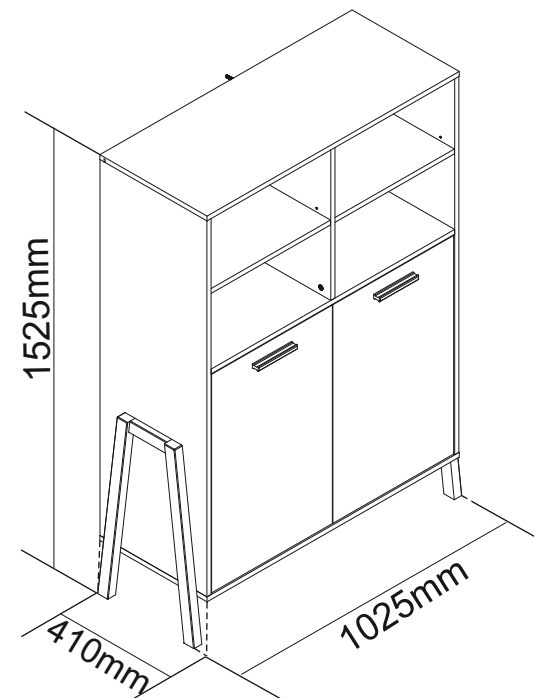
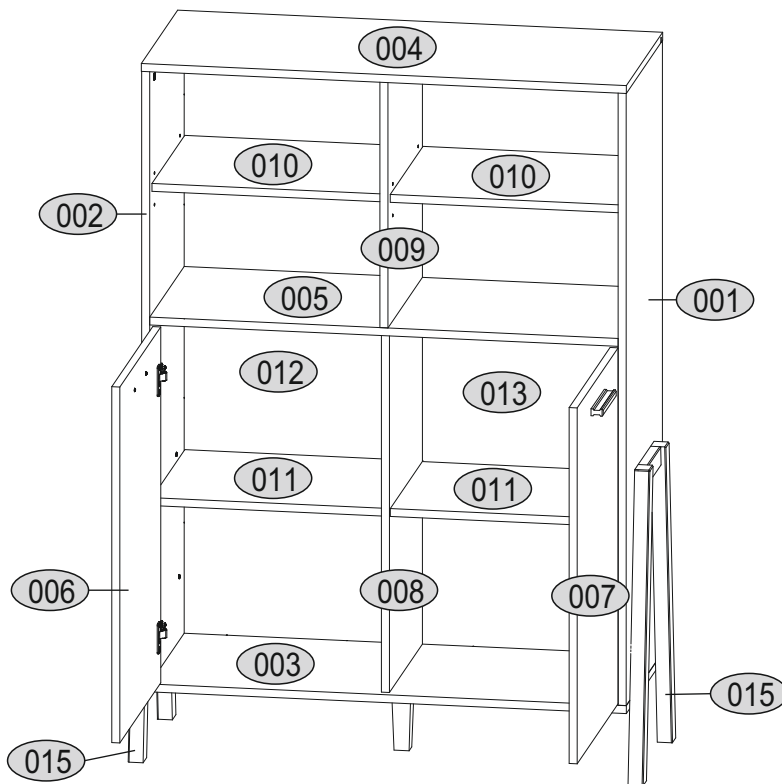
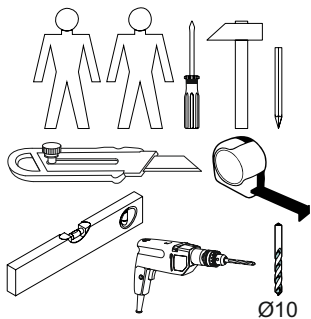
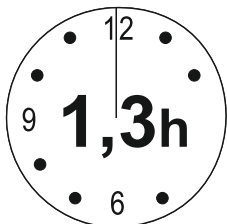
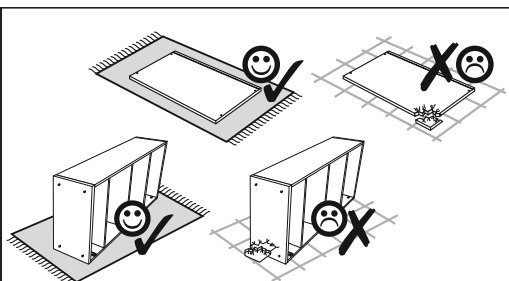
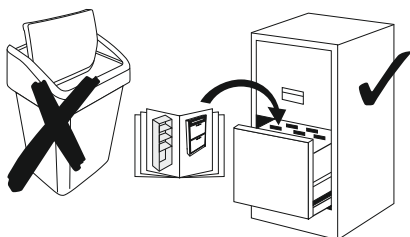


Installation manual


Belle Shelving low 2D

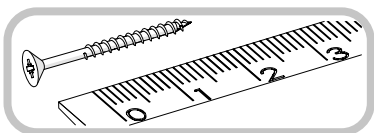


Code	Dimensions				Package
001	1341	409	16	1	2/2
002	1341	409	16	1	2/2
003	965	410	16	1	1/2
004	965	410	16	1	1/2
005	932	389	16	1	1/2
006	722	462	16	1	2/2
007	722	462	16	1	2/2
008	728	372	16	1	1/2
009	597	389	16	1	1/2
010	458	384	16	2	2/2
011	458	370	16	2	1/2
012	1359	475	2,5	1	2/2
013	1359	475	2,5	1	2/2
015	620	370	30	2	2/2
Accessories				1	1/2



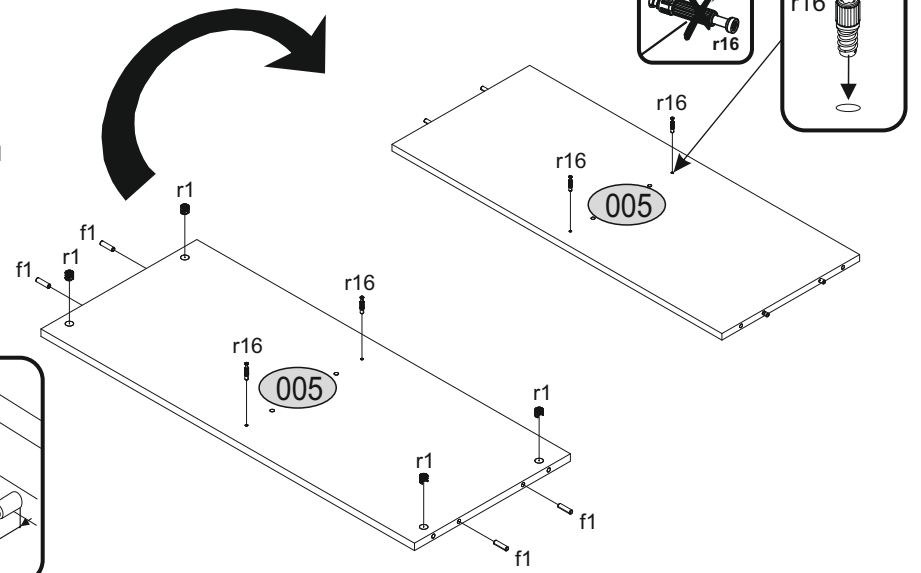
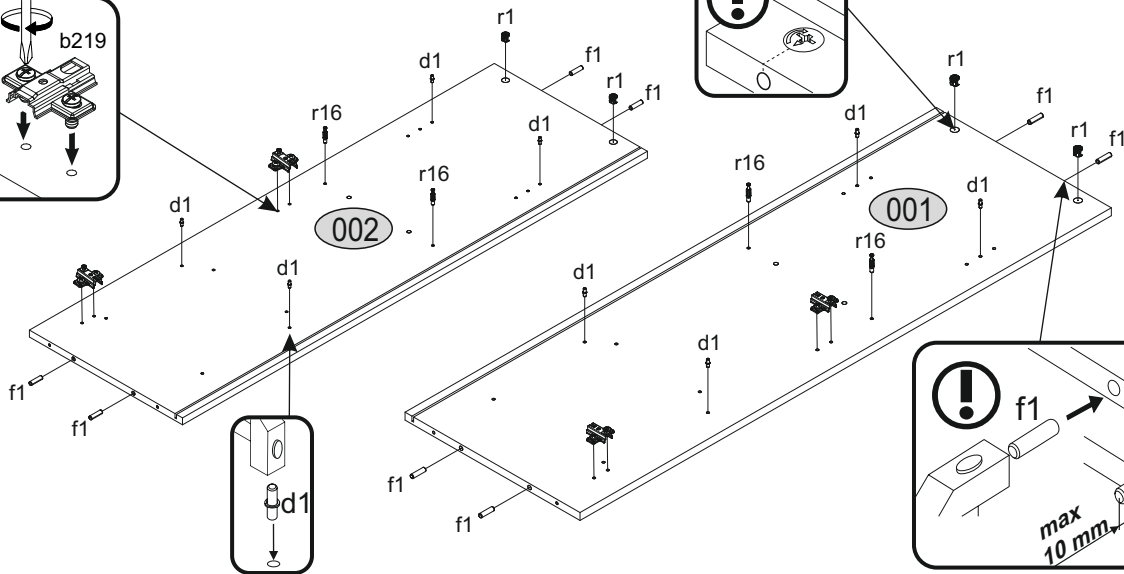
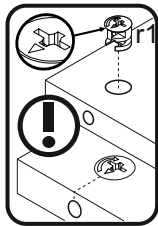
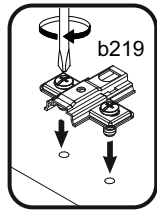
Accessories:

<p>4x a311.04.002</p> 	<p>4x b219</p> 	<p>2x c57</p> 	<p>1x n14 20x80</p> 
<p>1x p17 Ø6x50</p> 	<p>1x f3 Ø10x50</p> 	<p>7x e1 Ø7x50</p> 	<p>14x r1 15x12</p> 
<p>14x l2</p> 	<p>14x r16 Ø5x24</p> 	<p>20x f1 Ø8x30</p> 	<p>8x p10 Ø4x40</p> 
<p>16x d1 Ø5x16</p> 	<p>4x p9 Ø4x30</p> 	<p>28x p25 Ø3.5x16</p> 	<p>4x n260.01</p> 
<p>1x k87</p> 	<p>10x s2</p> 	<p>1x z1</p> 	<p>16x s4</p> 



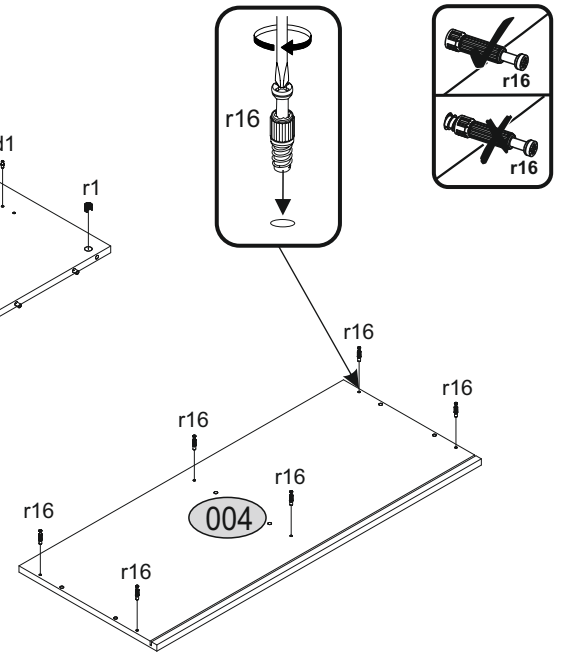
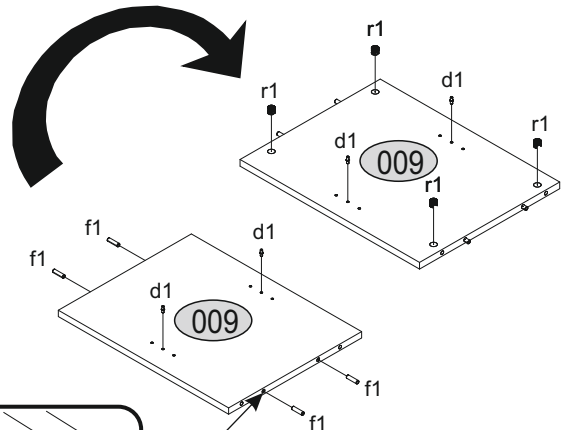
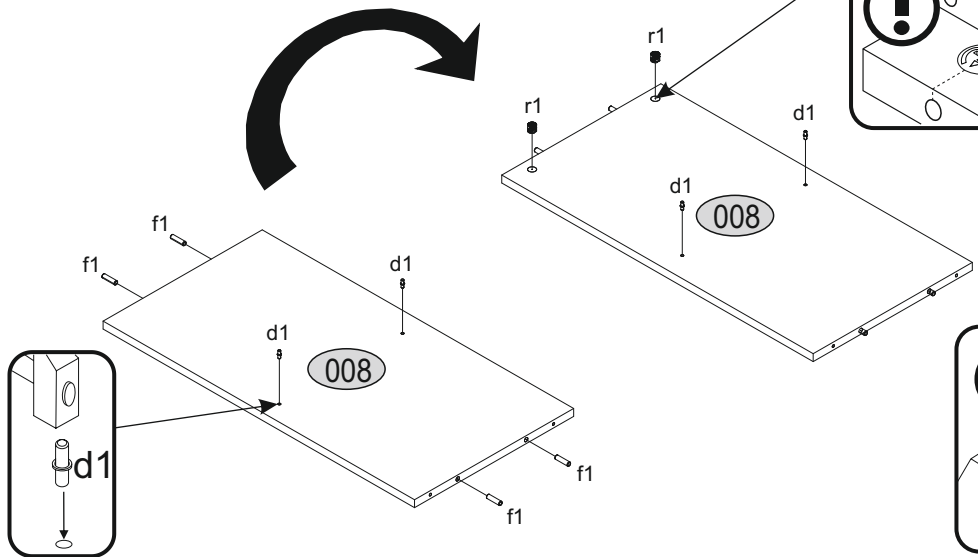
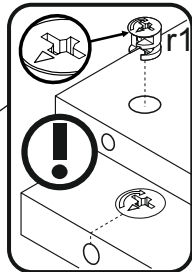
1

f1	r1	r16	d1	b219
x12	x8	x8	x8	x4



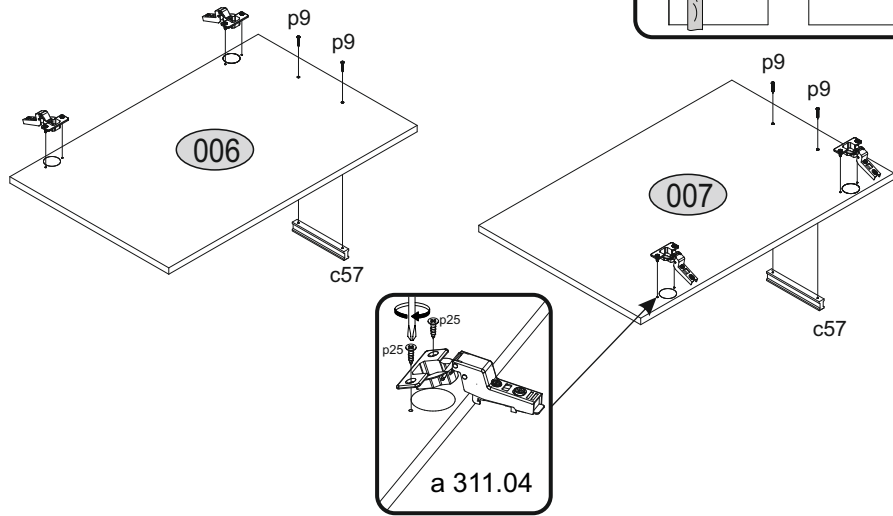
2

f1	r1	r16	d1
x8	x6	x6	x8

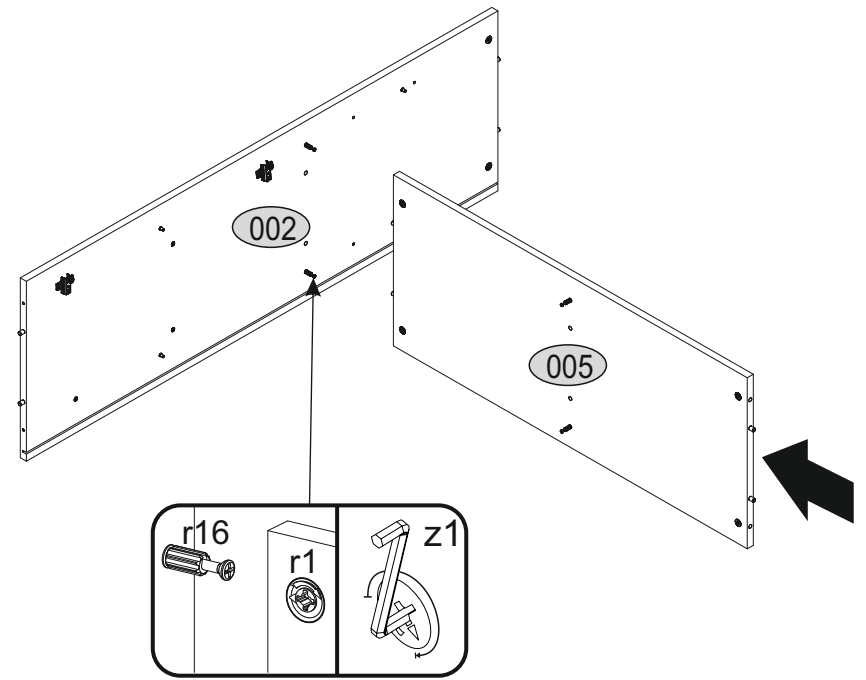


3

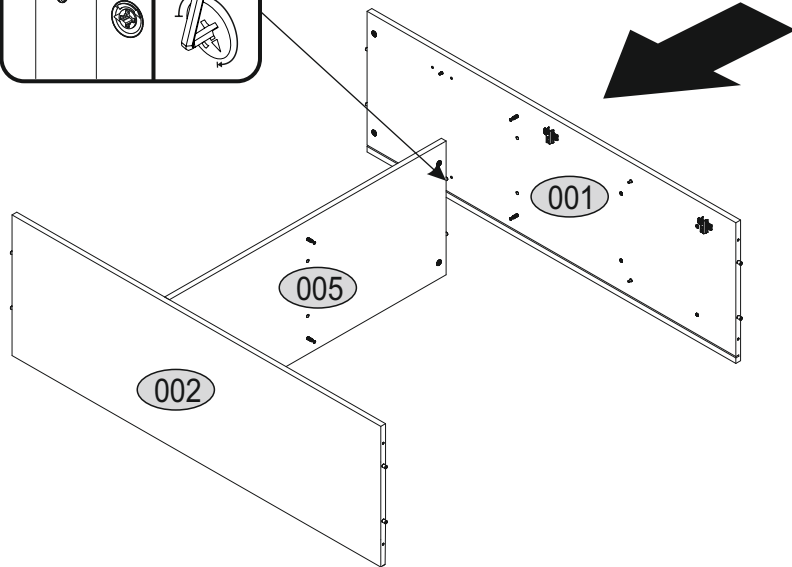
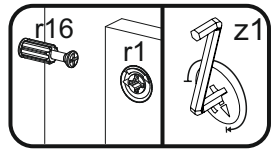
a311	p9	c57	p25
x4	x4	x2	x8



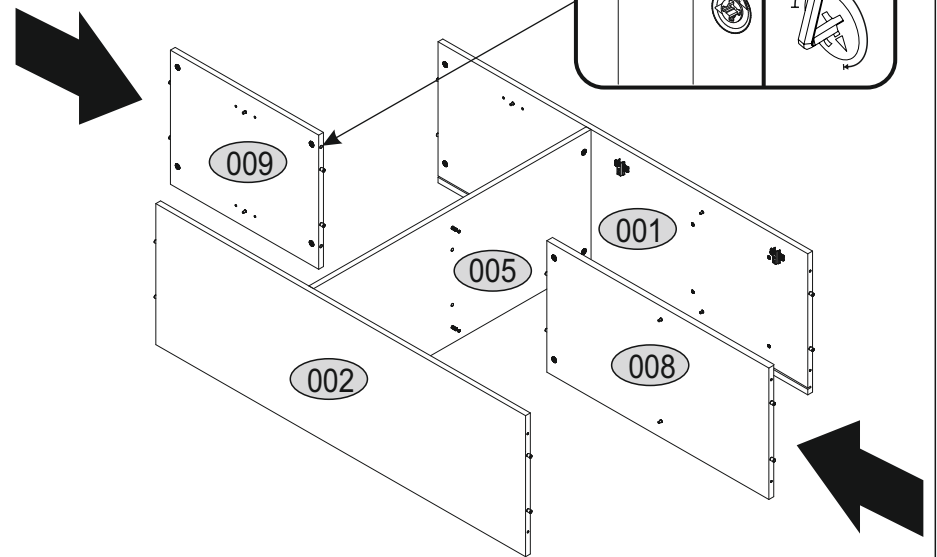
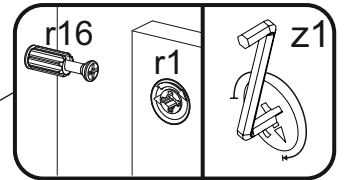
4



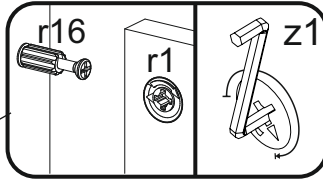
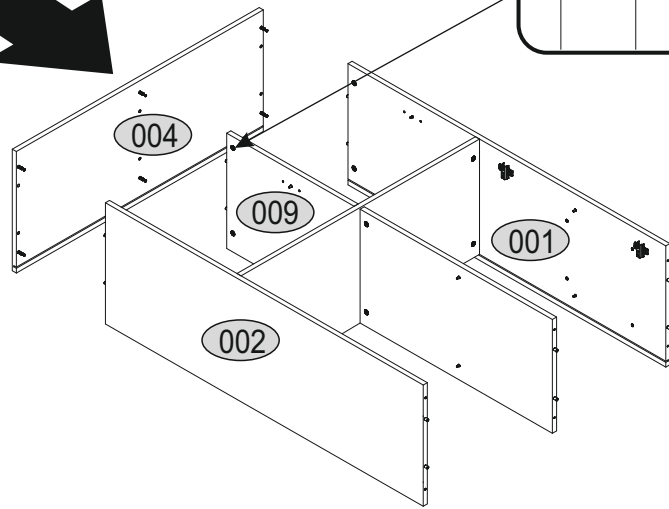
5



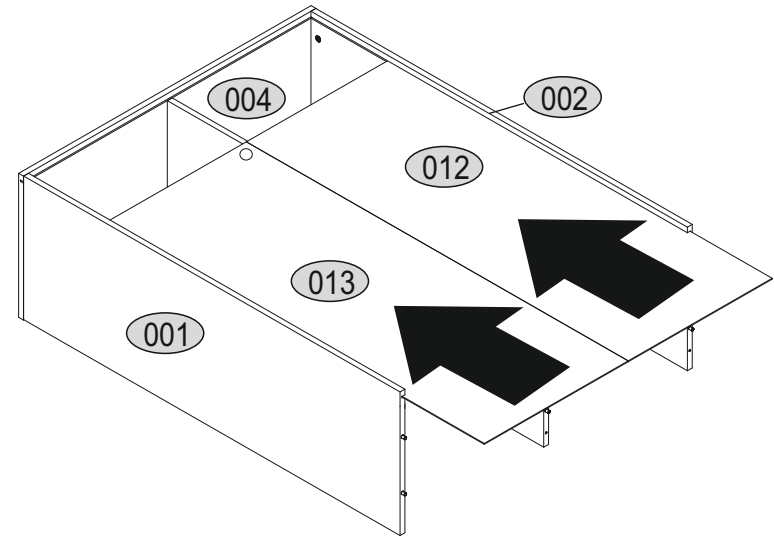
6



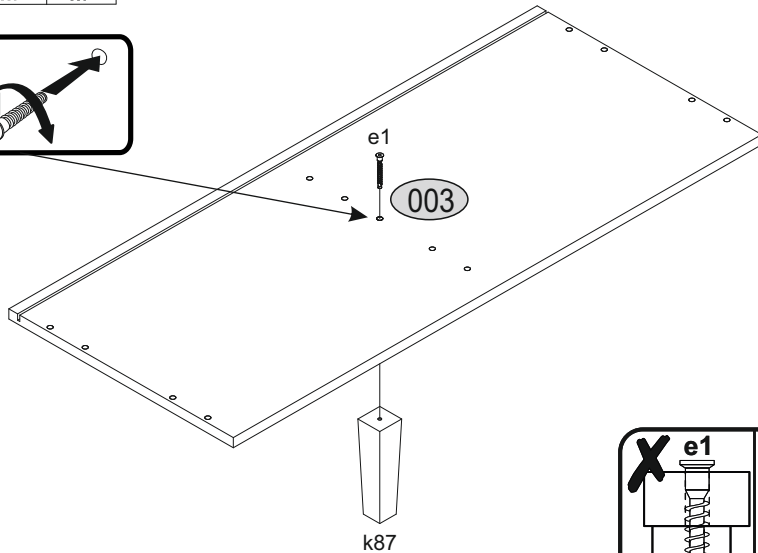
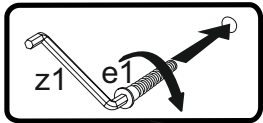
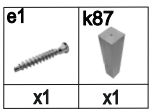
7



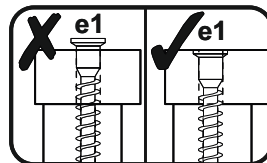
8



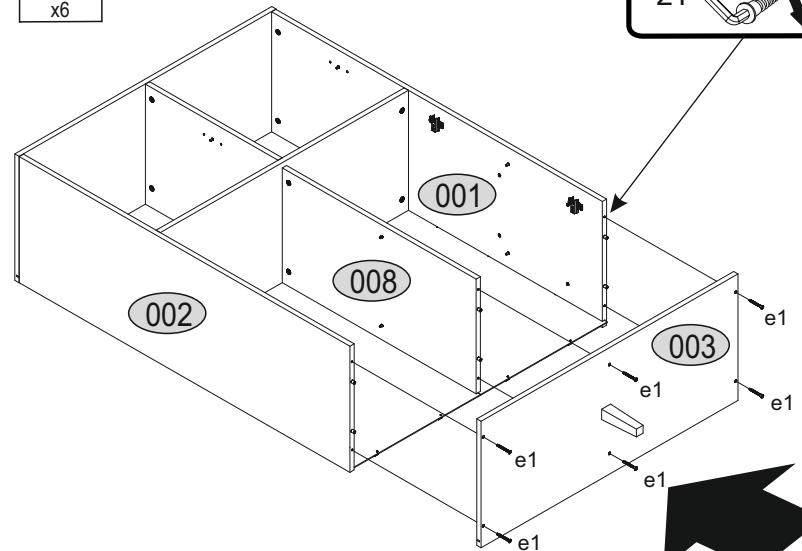
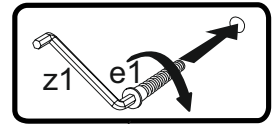
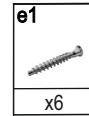
9



k87



10



e1

e1

e1

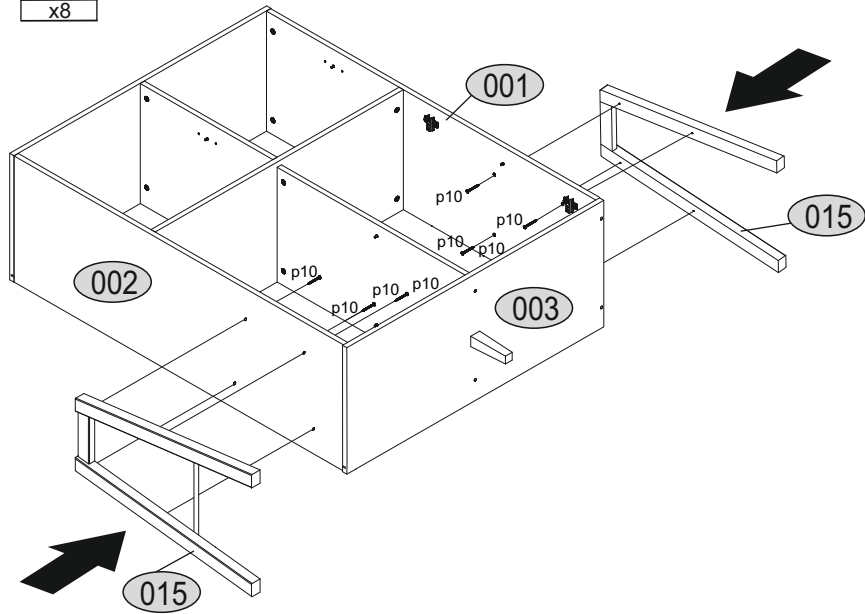
e1

e1

e1

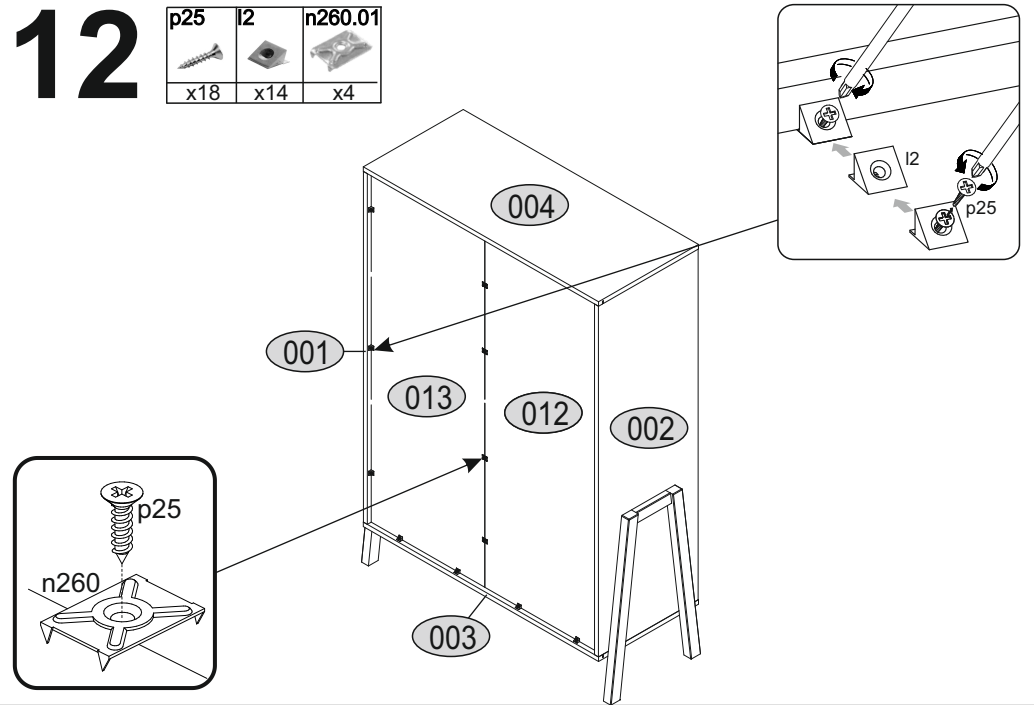
11

p10
x8

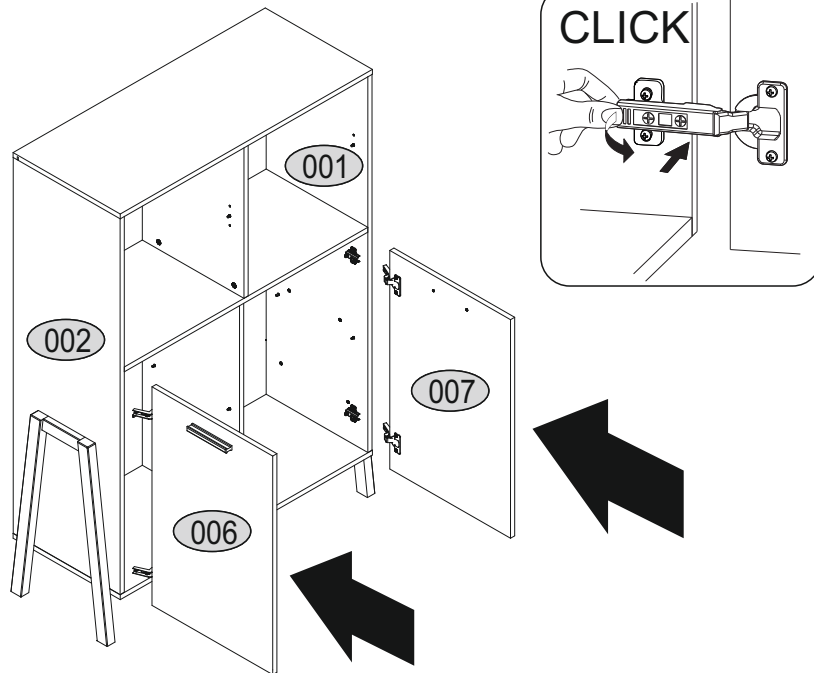
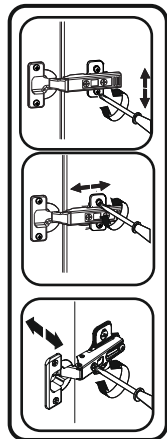


12

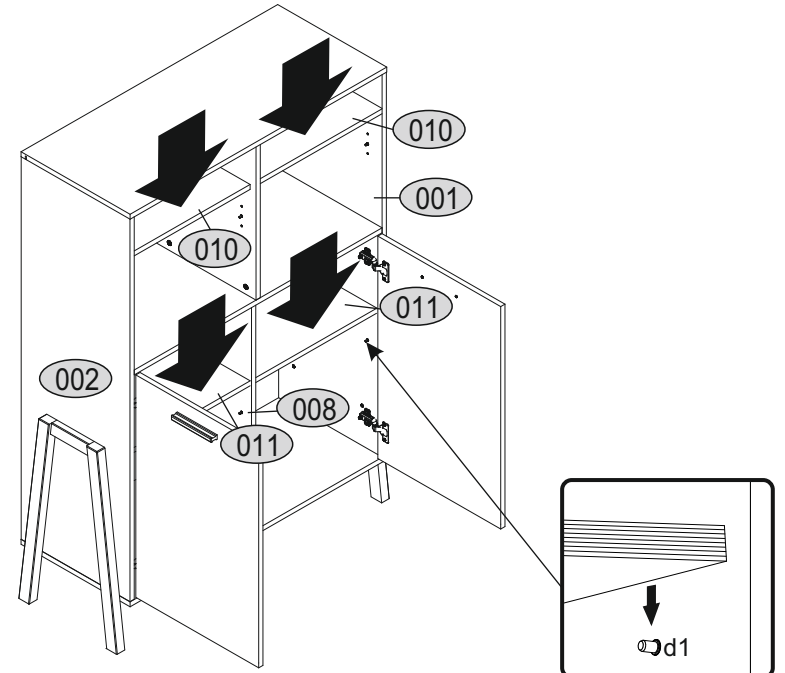
p25 l2 n260.01
x18 x14 x4







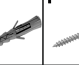

13



14



15

s2 	p25 	s4 	n14 	f3 	p17 
x10	x2	x16	x1	x1	x1

