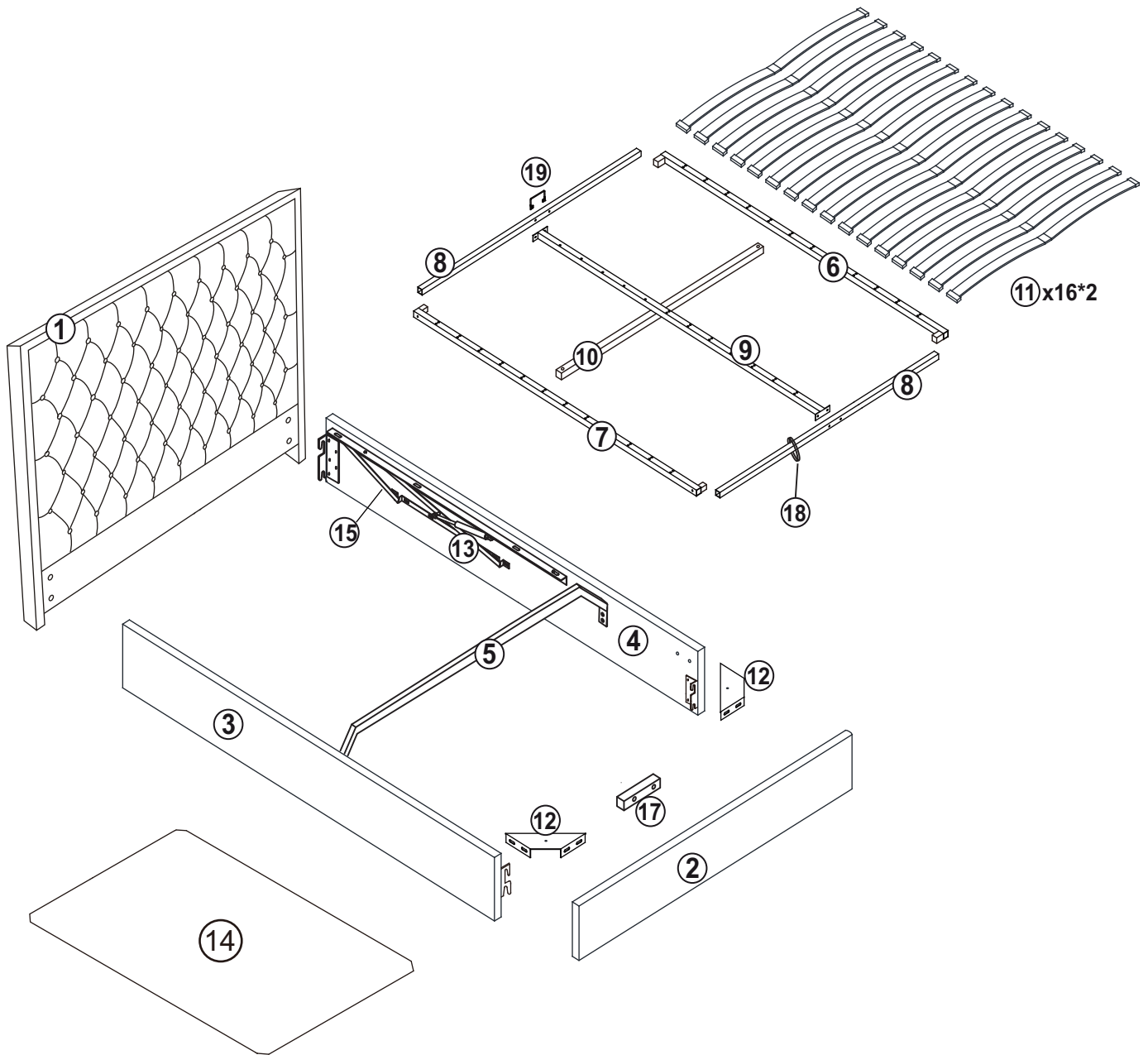
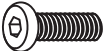
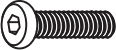











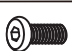

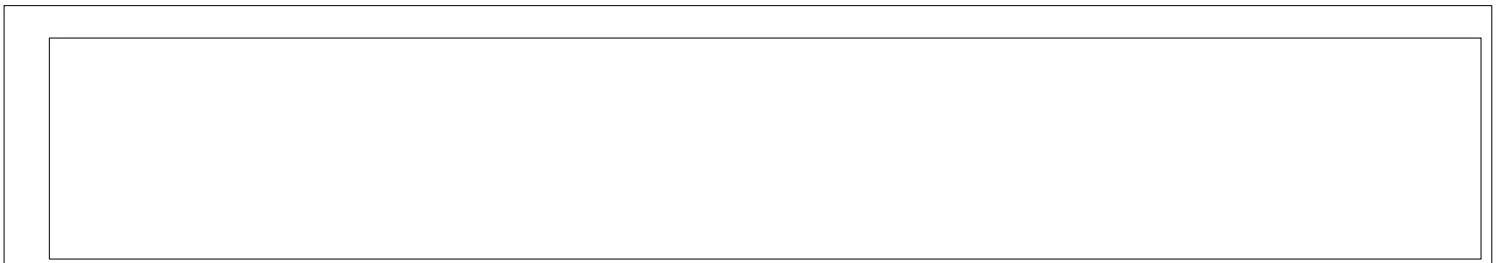


# NADIA 160x200

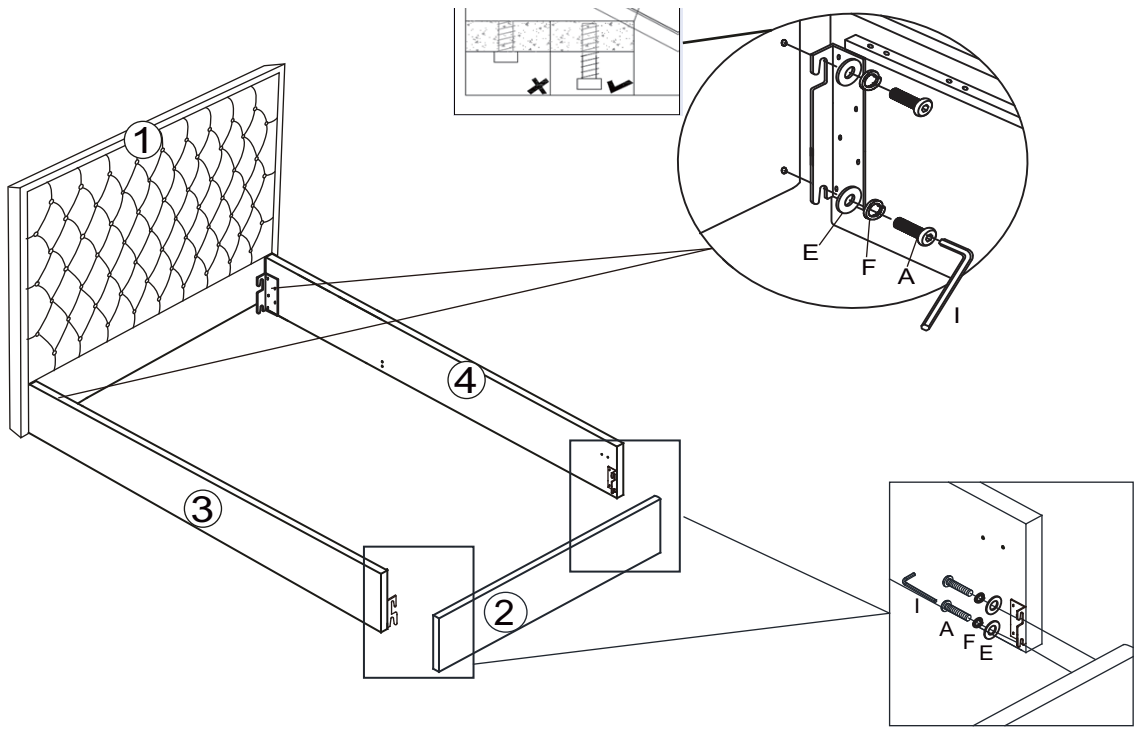


A		M8x25mm	36x
B		M8x35mm	3x
C		M8x45mm	6x
D			3x
E		∅ 18x1.0-M8	41x
F			24x
G		M8	4x
H		M8	4x
I		S-5	1x
J		14# M8	1x
K		13# M8	1x
L			32x
M			16x
N		M6x16mm BOLT	8x
O		S-4	1x

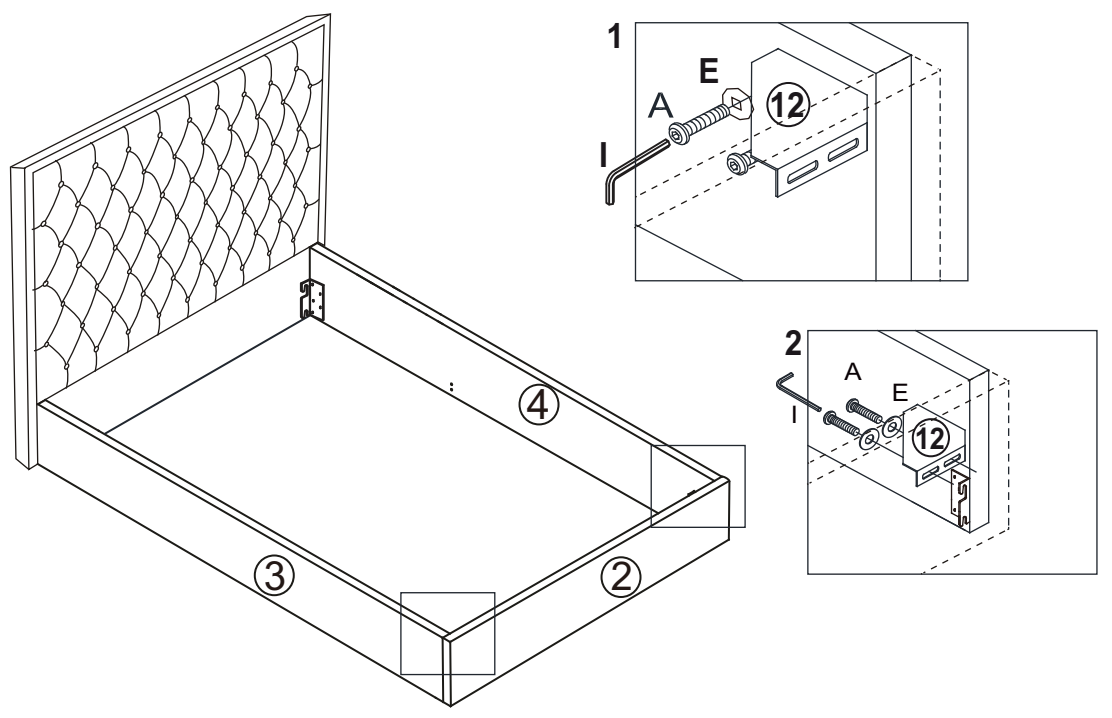


① 1		② 1	
③ 1 (L)		④ 1 (R)	
⑤ 1		⑥ 1x	
⑦ 1x		⑧ 2x	
⑨ 1x		⑩ 1x	
⑪ 32x		⑫ 2x	
⑬ 2x		⑭ 1x	
⑮ 1x		⑯ 1x	
⑰ 1x		⑱ 1x	
⑲ 1x			

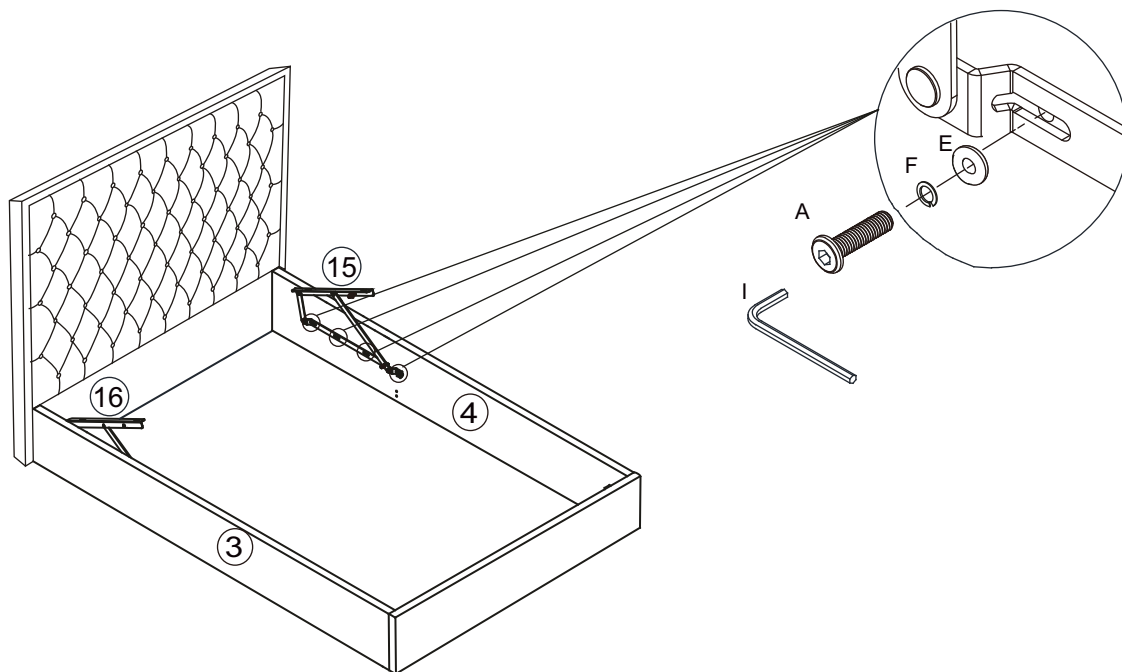
01



02



03



Ax8



Ex8

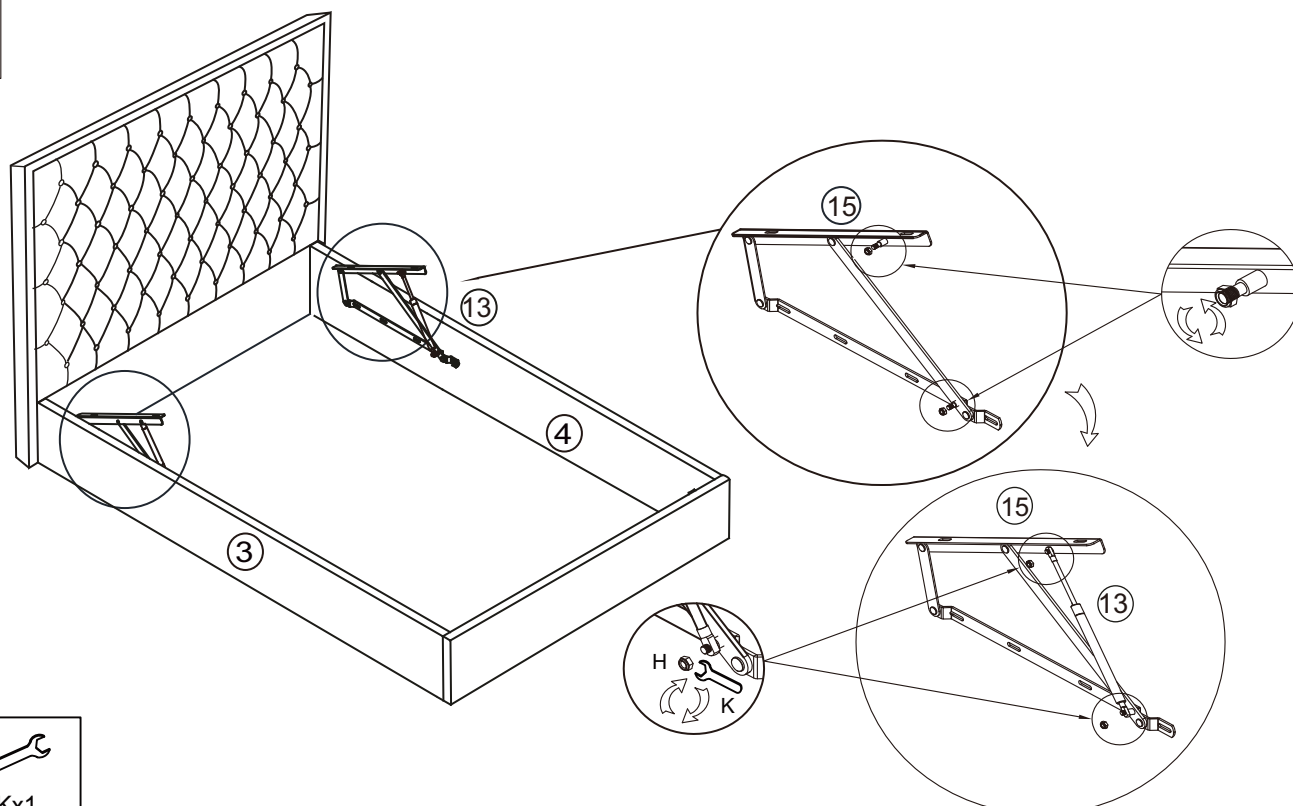


Fx8



Ix1

04

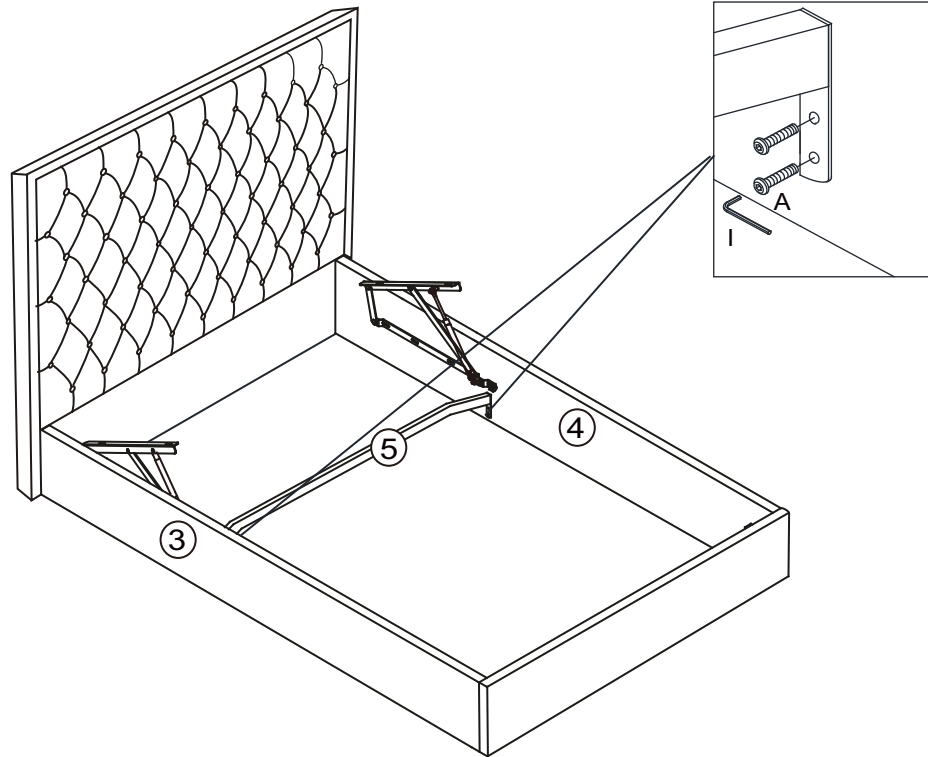


Hx4



Kx1

05

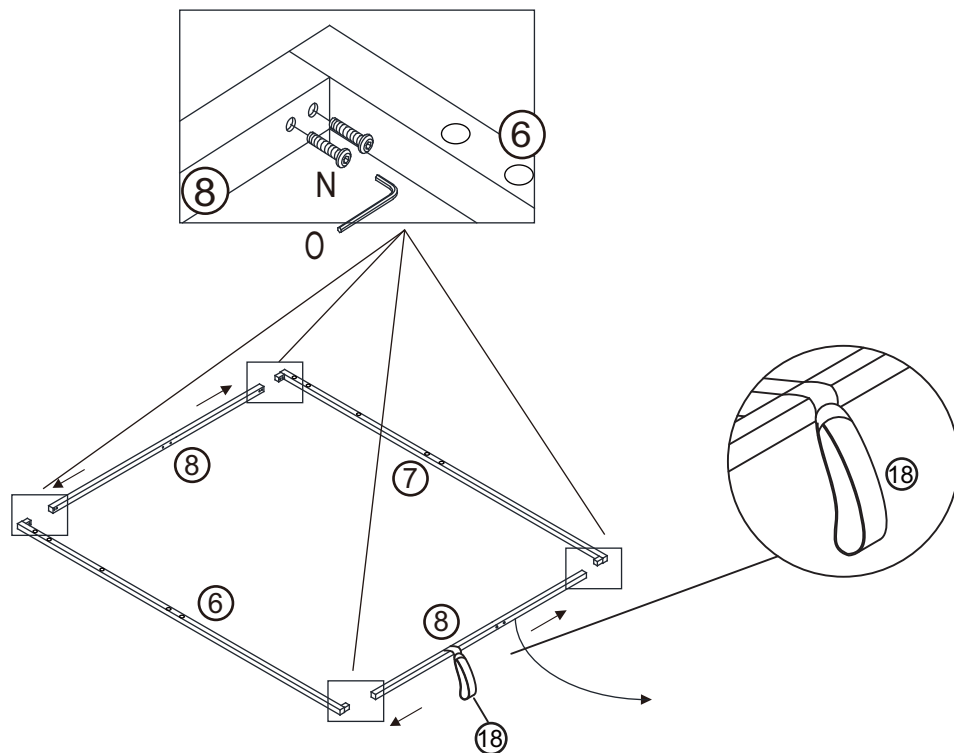


Ax4



Ix1

06

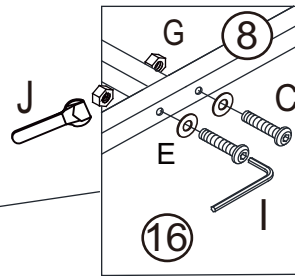
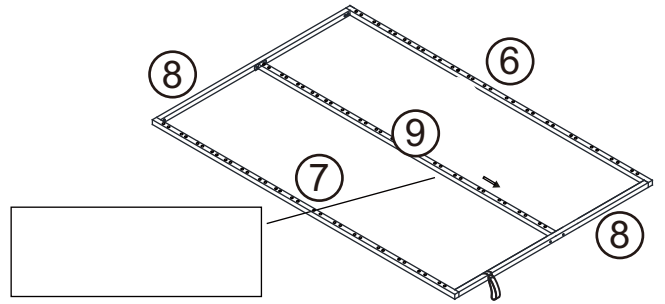
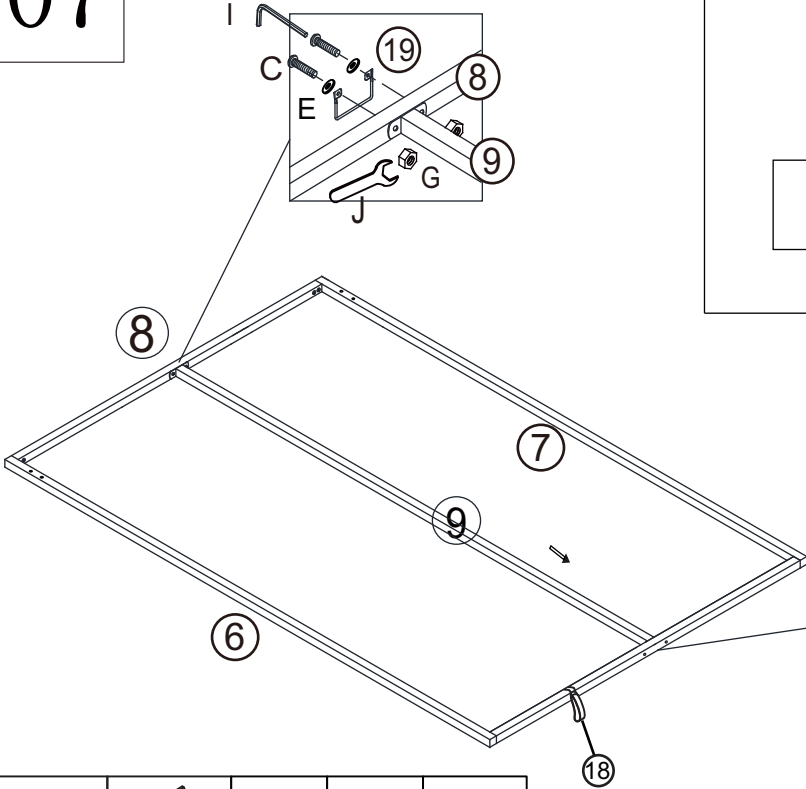


Nx8

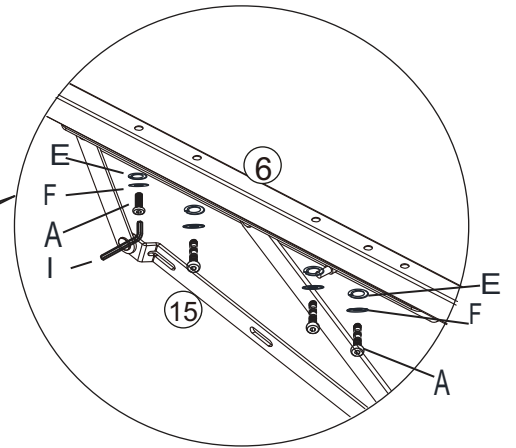
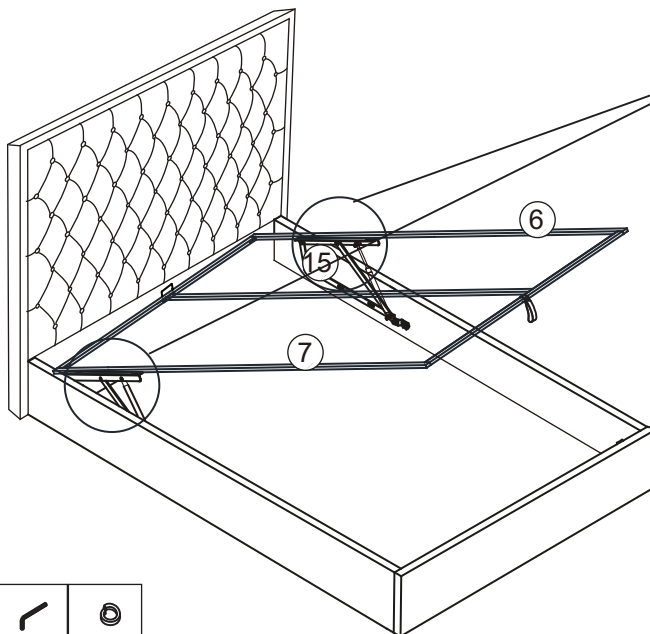


Ox1

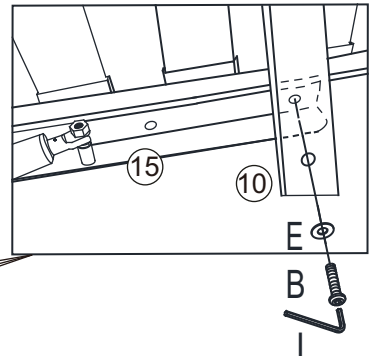
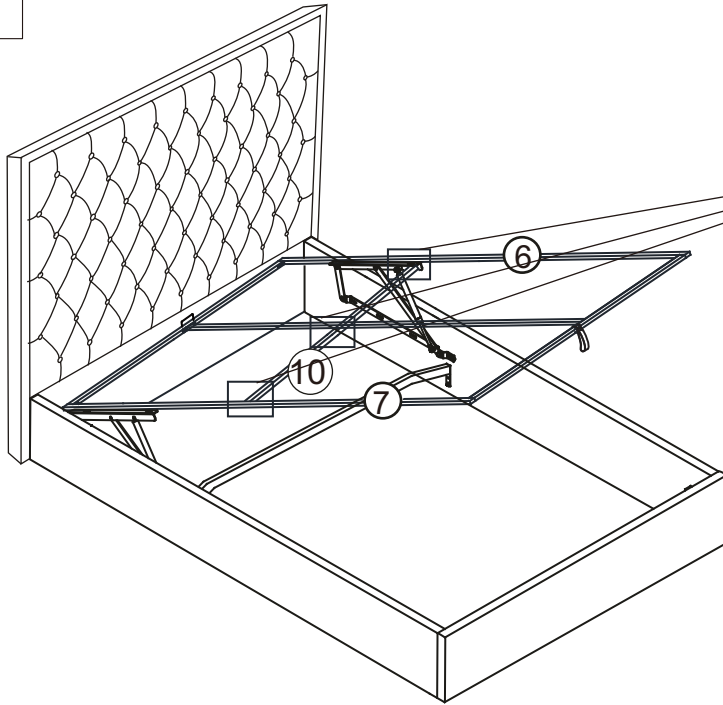
# 07



# 08



09



Bx3

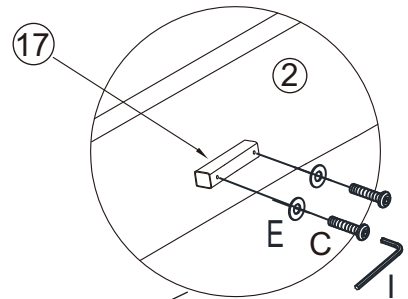
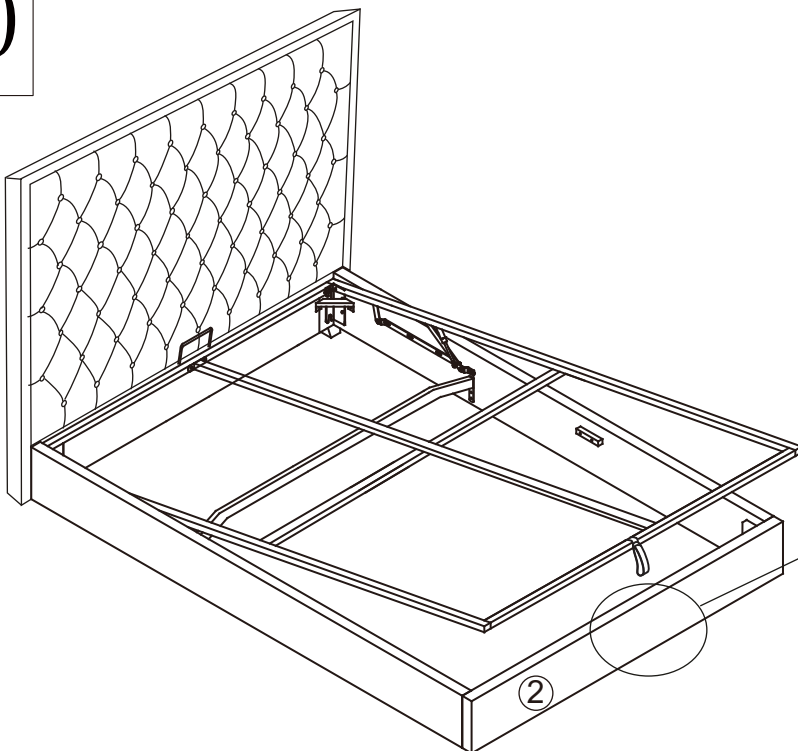


Ex3



Ix1

10



Cx2



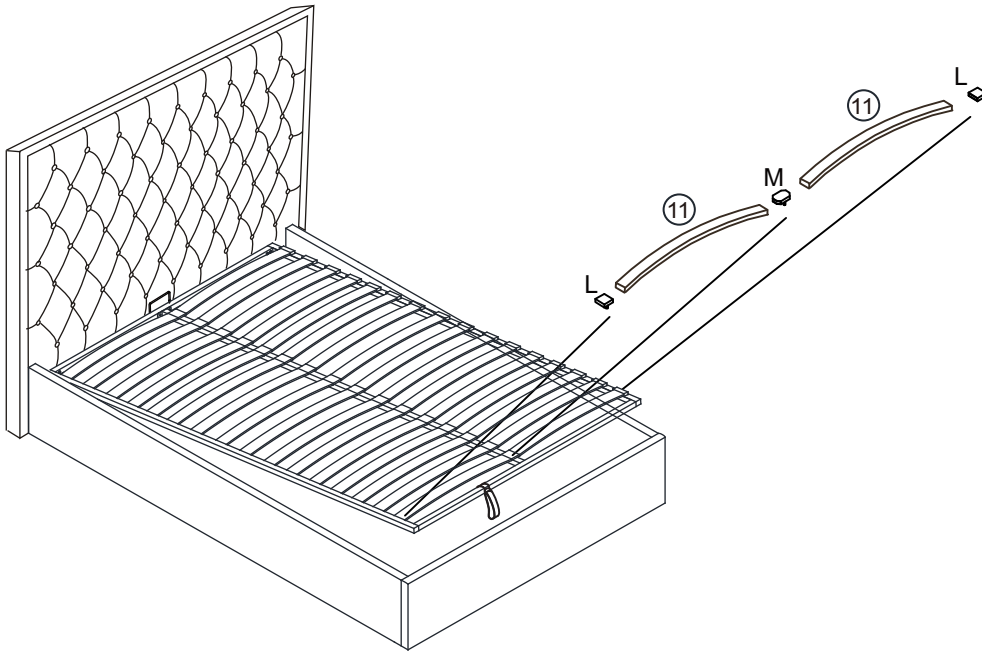
Ex2



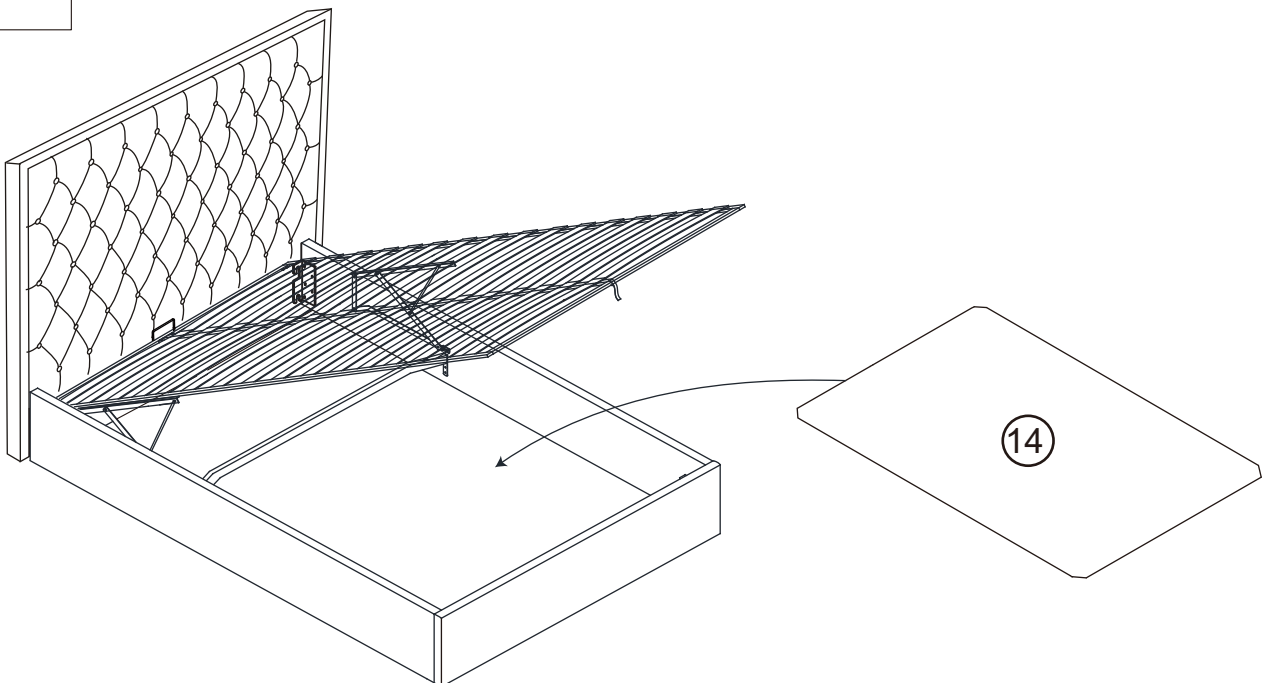
Ix1

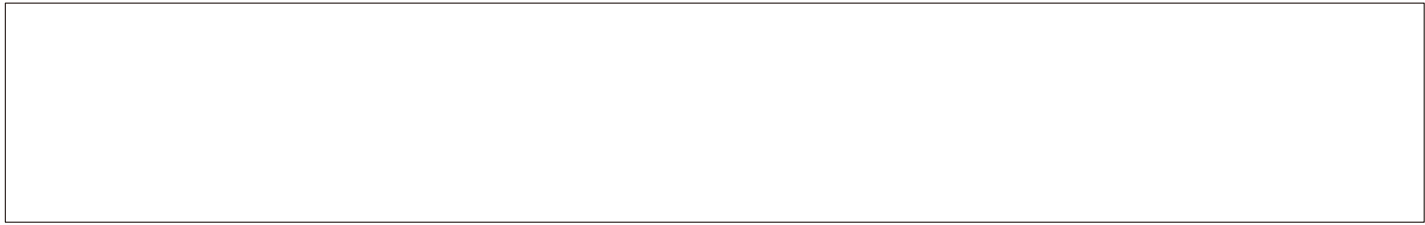


11



12





13

