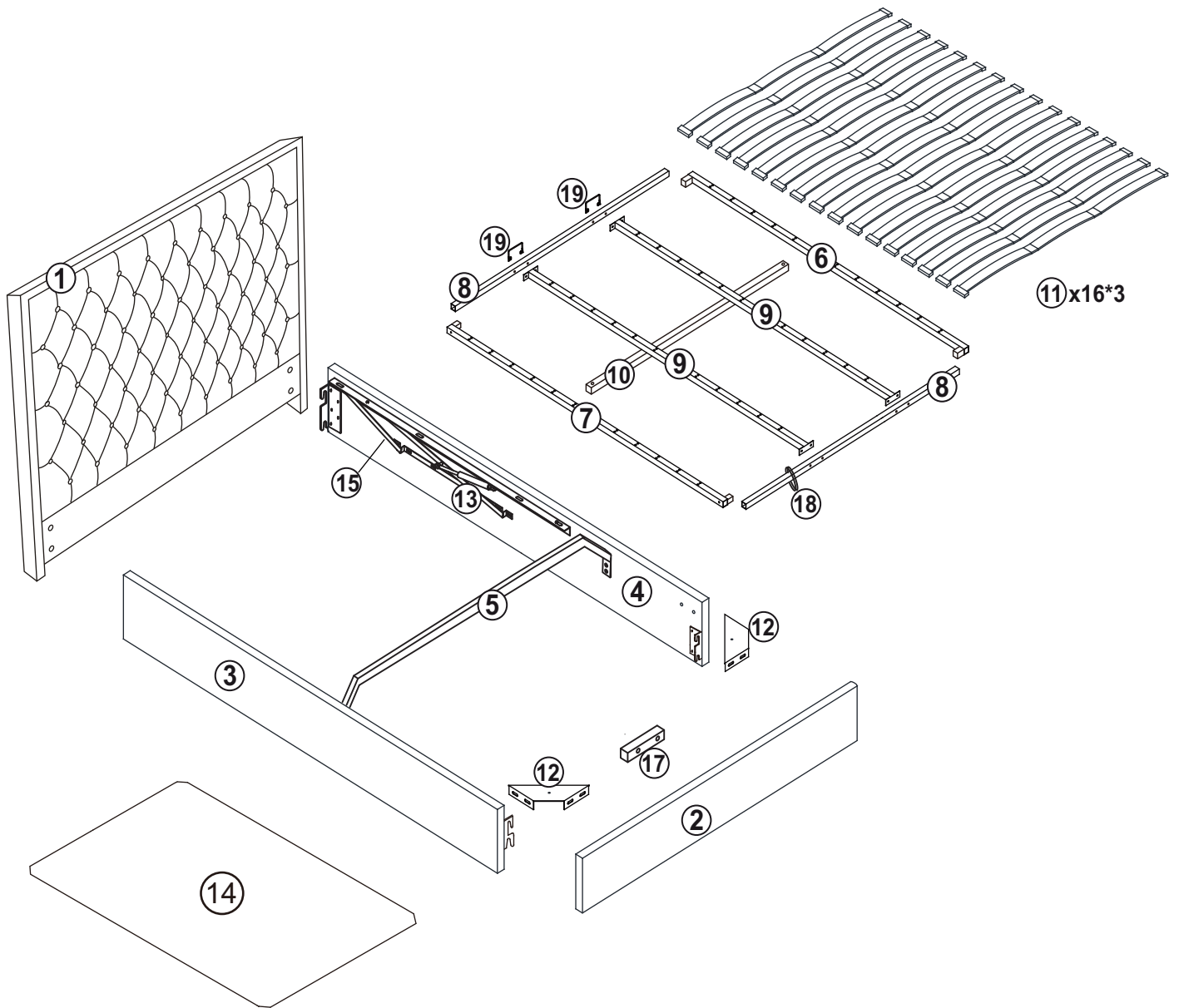















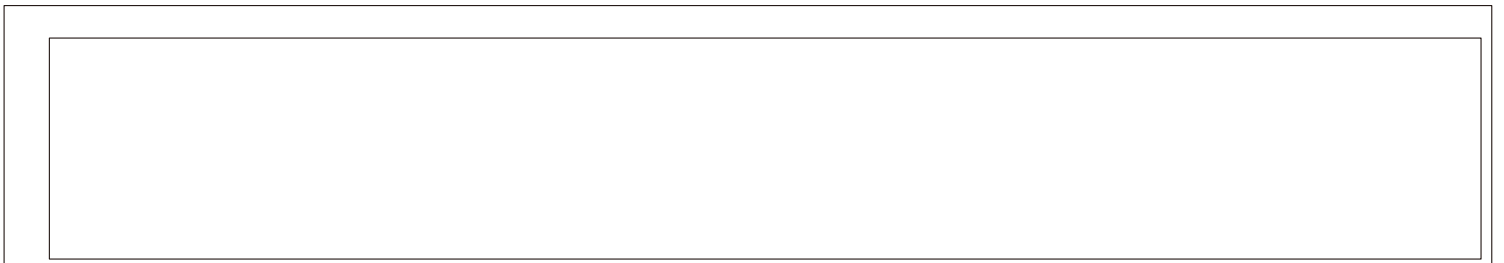


# NADIA 180x200

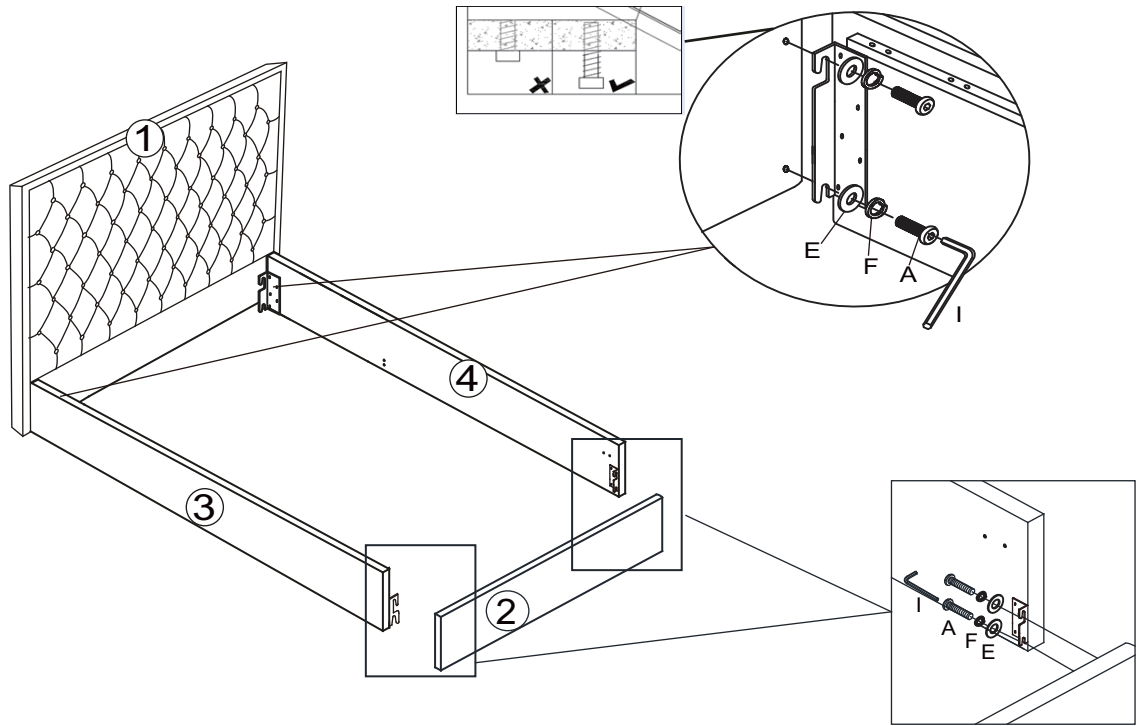


A		M8x25mm	36x
B		M8x35mm	3x
C		M8x45mm	10x
D			3x
E		∅ 18x1.0 -M8	45x
F			24x
G		M8	8x
H		M8	4x
I		S-5	1x
J		14# M8	1x
K		13# M8	1x
L		Side Plastic Cap	32x
M		Center Plastic Cap	32x
N		M6x16mm BOLT	8x
O		S-4	1x



① 1		② 1	
③ 1 (L)		④ 1 (R)	
⑤ 1		⑥ 1x	
⑦ 1x		⑧ 2x	
⑨ 2x		⑩ 1x	
⑪ 48x		⑫ 2x	
⑬ 2x		⑭ 1x	
⑮ 1x		⑯ 1x	
⑰ 1x			
⑲ 2x			

01



Ax8



Ex8

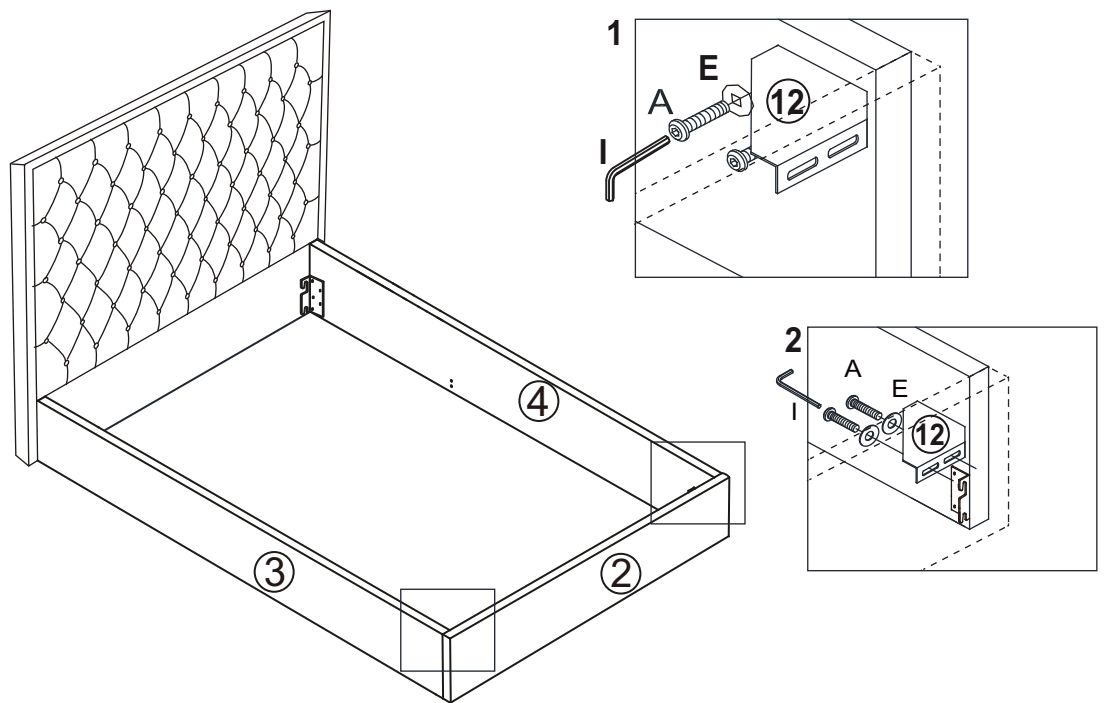


Fx8



lx1

02



Ax8

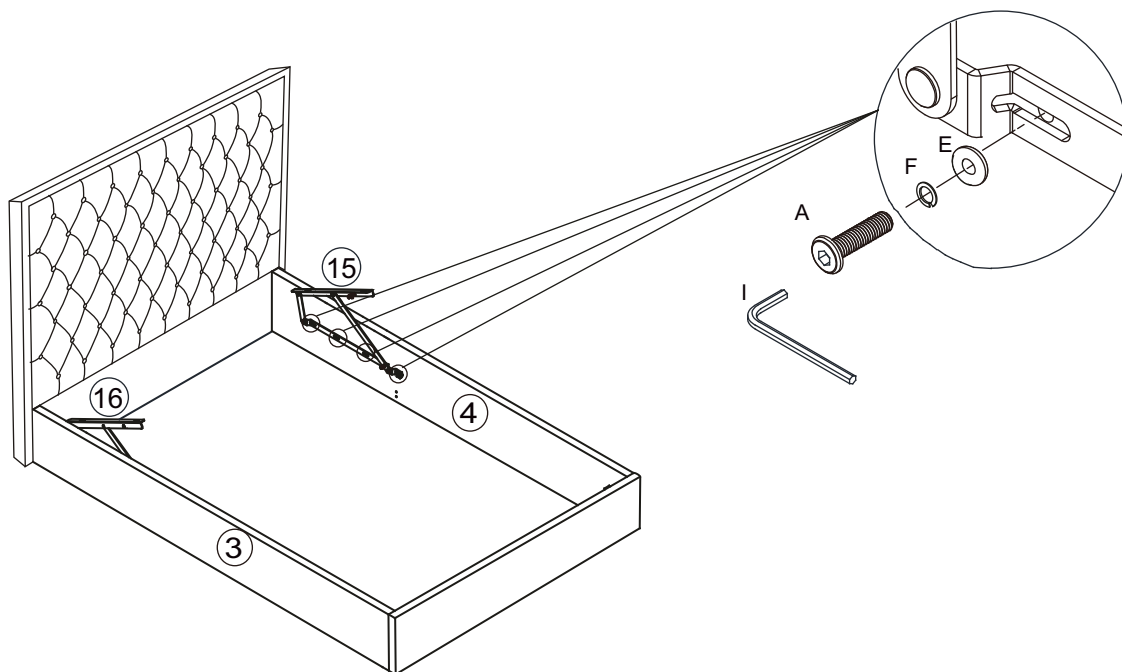


Ex8

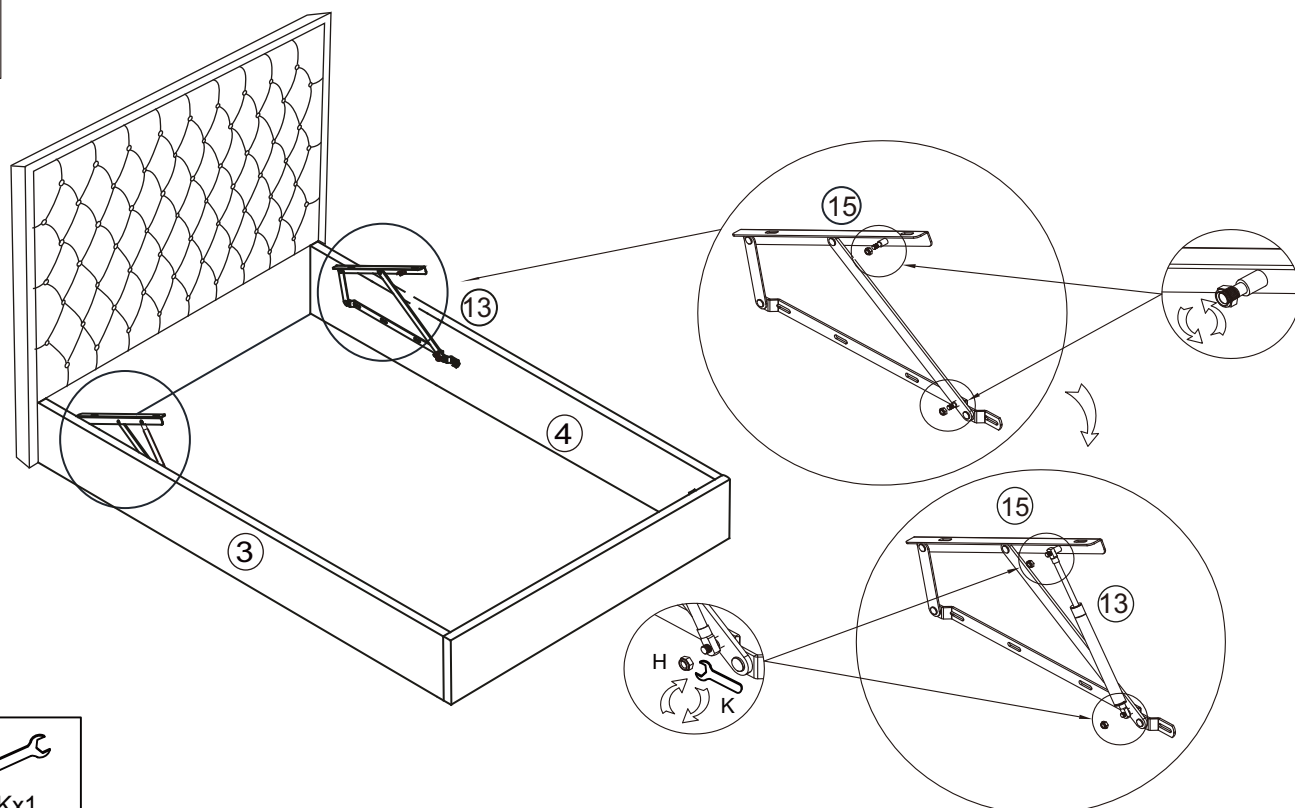


lx1

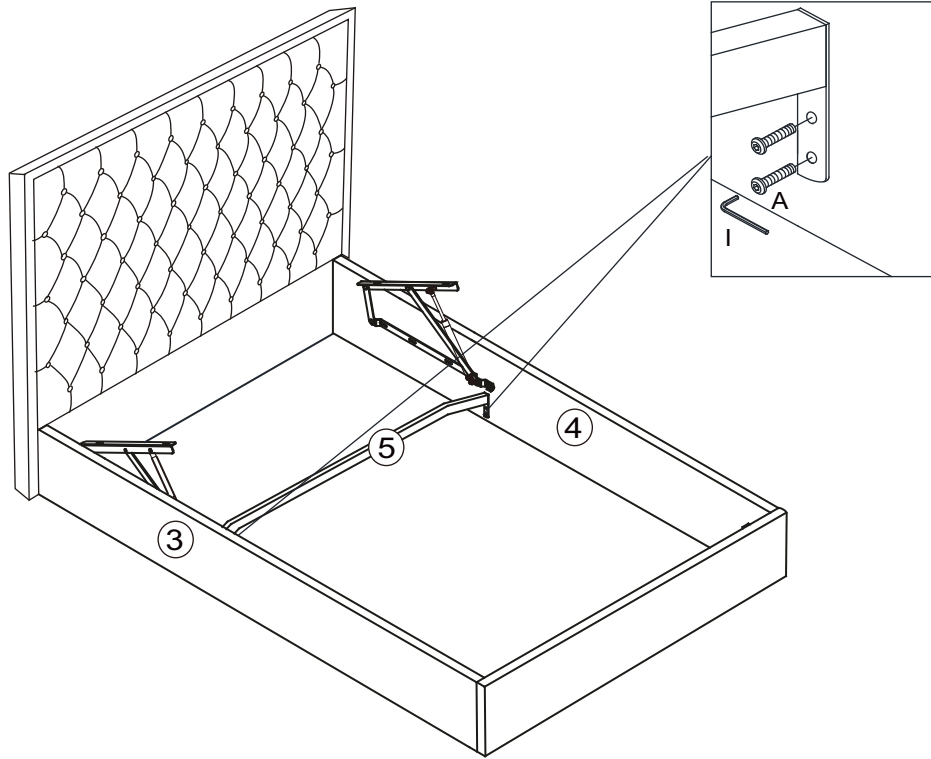
03



04



05

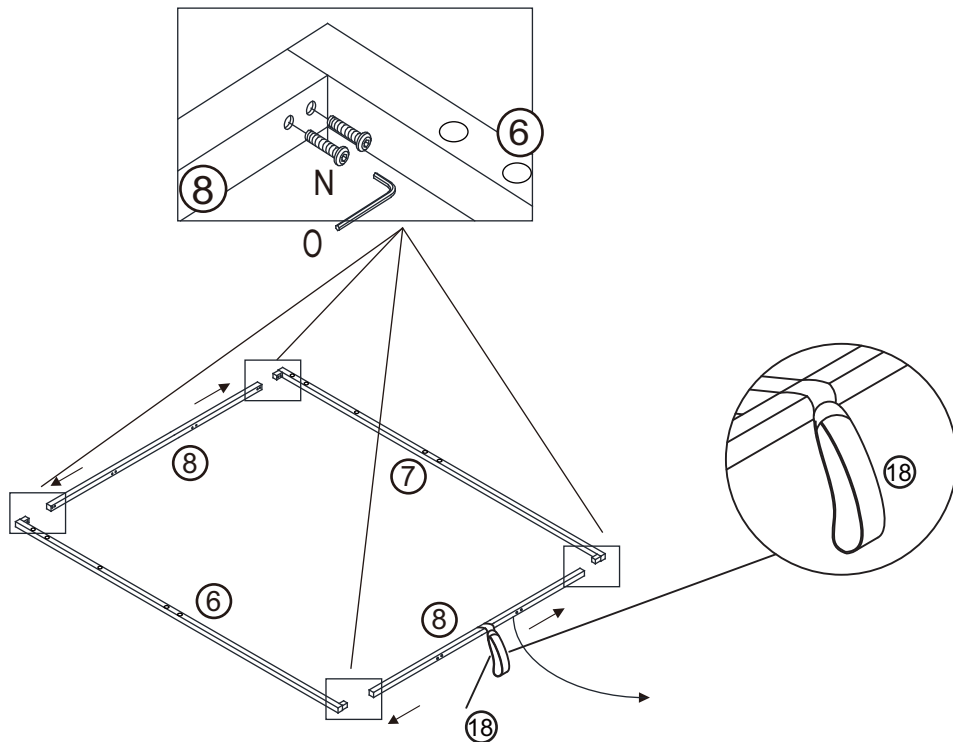


Ax4



Ix1

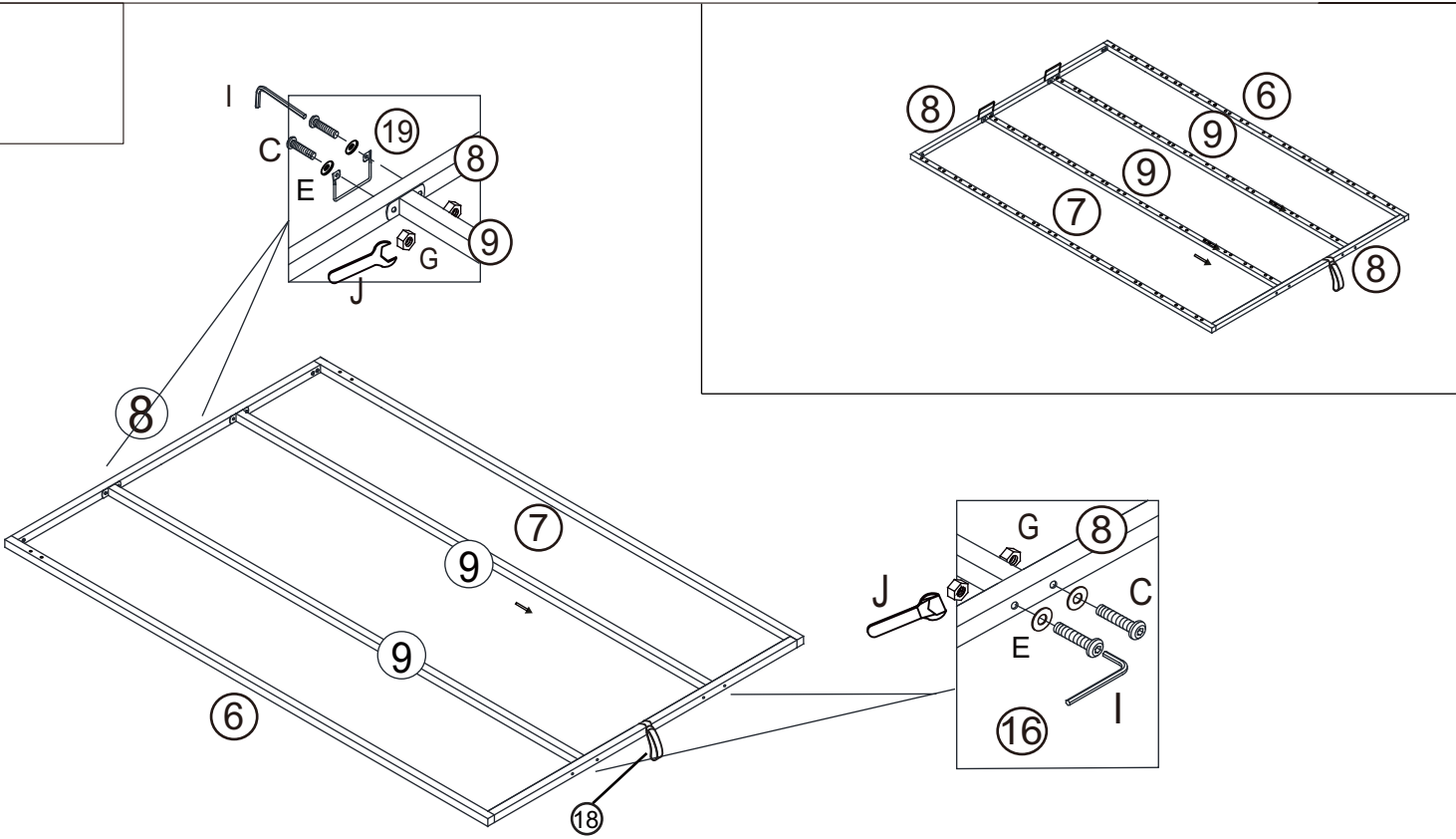
06



Nx8

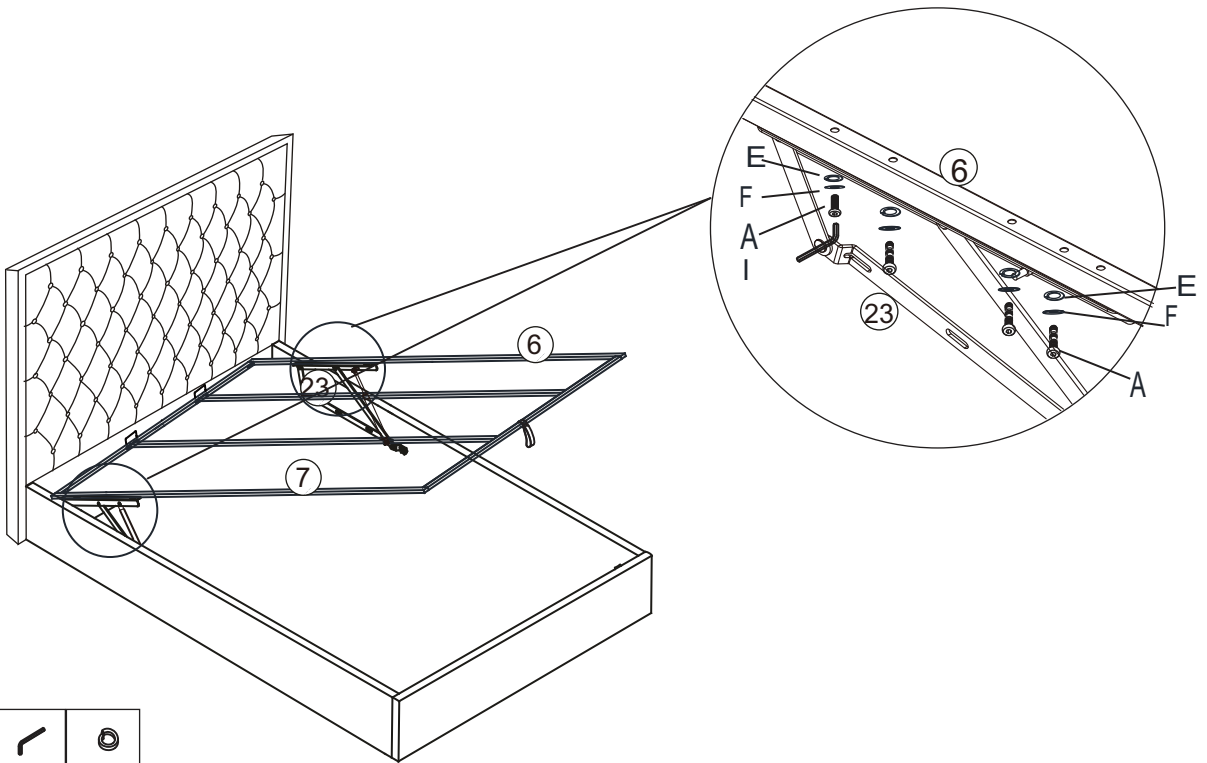


Ox1



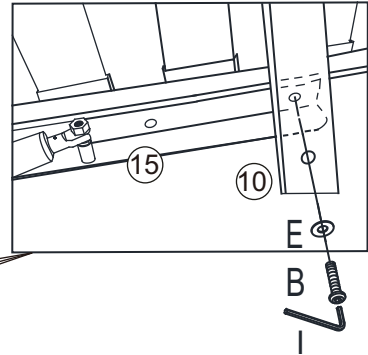
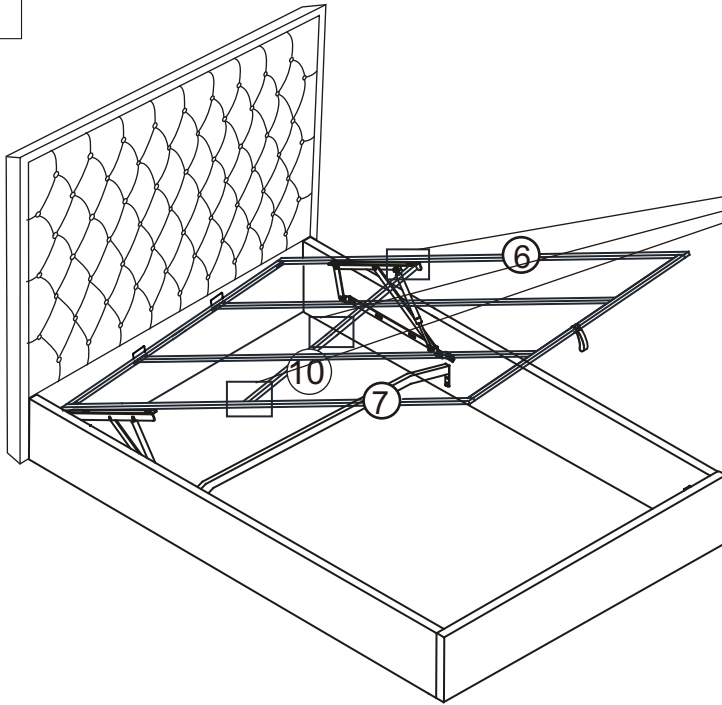
-   
Cx8
-   
Ix1
-   
Gx8
-   
Jx1
-   
Ex8

08



-   
Ax8
-   
Ex8
-   
Ix1
-   
Fx8

09



Bx3

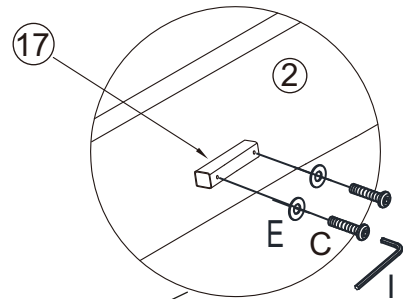
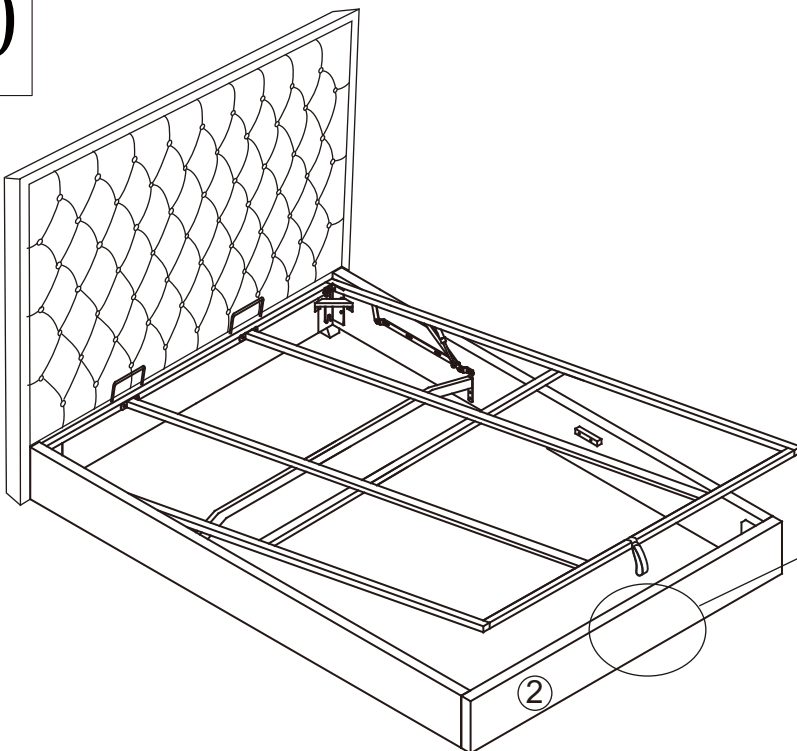


Ex3



Ix1

10



Cx2



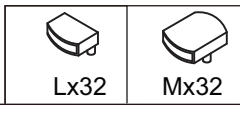
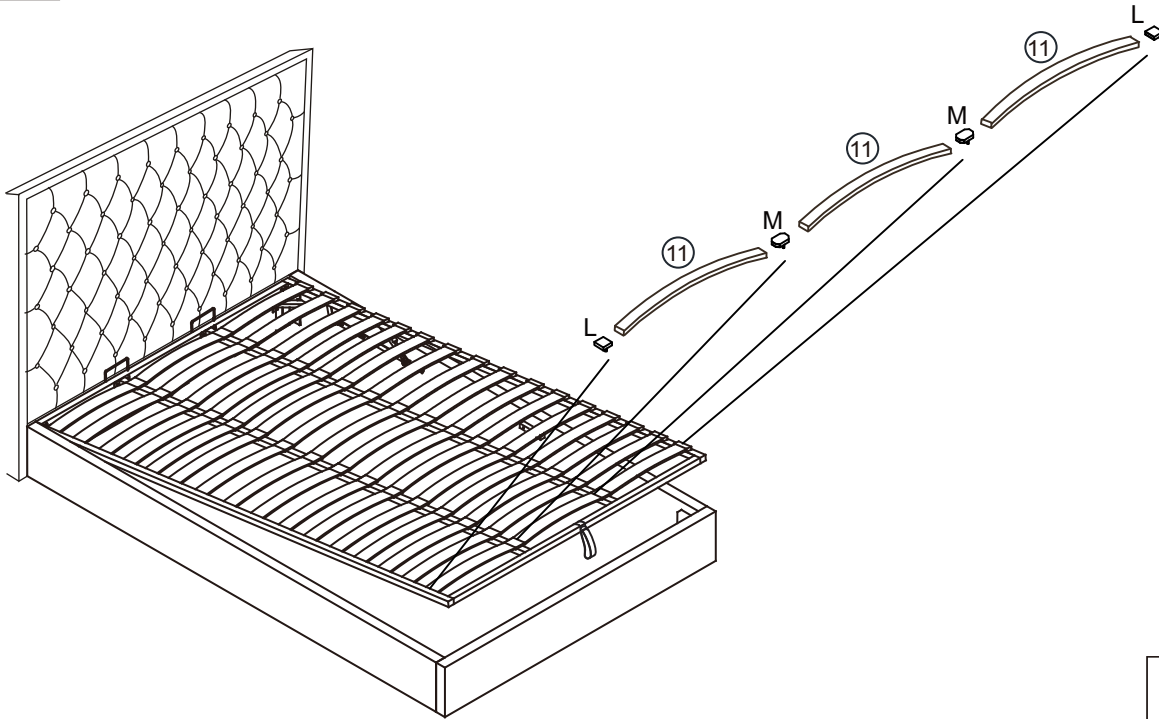
Ex2



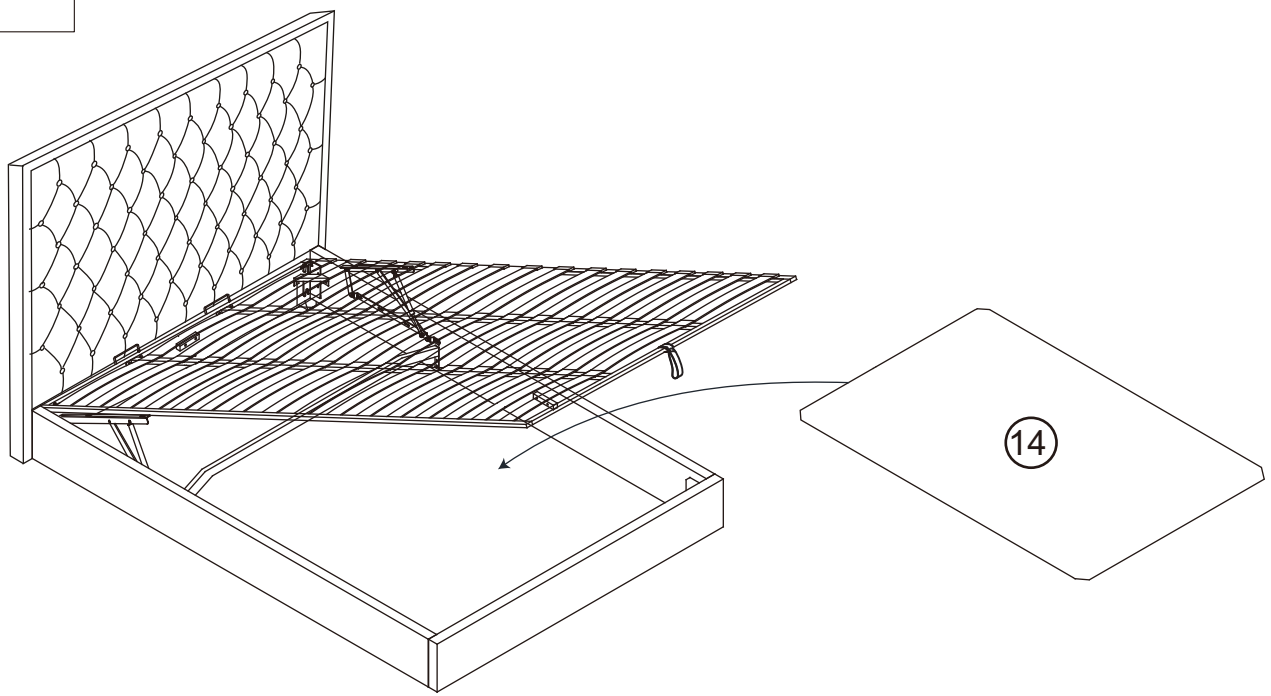
Ix1



11



12



13

